

注記 NOTES

1. 嵌合相手 : 51146 シリーズ  
MATES WITH : 51146 SERIES
2. ロック窓は 2、3 極品は 1 箇所、4 極品以上は 2 箇所とする。  
LOCKING WINDOW : ONE PLACE FOR 2 AND 3 CIRCUIT PRODUCTS AND TWO PLACES FOR MORE THAN 3 CIRCUIT PRODUCTS.
3. 基準面 [V] からのソルダーテールと金具の半田付け面のズレ量は、上方向に 0.05MAX. 下方向 0.15MAX. とし、20 極以下の相互のバラツキ量は 0.1MAX. とする。  
MISALIGNMENT OF SOLDER TAIL AND FITTING NAIL FROM [V]  
: UPPER DIRECTION 0.05MAX.  
: LOWER DIRECTION 0.15MAX.  
: OFFSET BETWEEN UPPER AND LOWER 0.1MAX. (UNDER 20 CKTS.)
4. 偶数極の製品に適用。  
APPLY EVEN CIRCUIT PRODUCTS.
5. 材質 MATERIAL  
ウエハー WAFER : PPS, UL94V-0  
ピン: リン青銅 PIN : PHOSPHOR BRONZE  
コンタクト部 : 金メッキ 0.2 マイクロメートル以上  
CONTACT AREA : GOLD 0.2 MICROMETER MINIMUM  
テール部 : 錫メッキ 3.0 マイクロメートル以上  
TAIL AREA : TIN 3.0 MICROMETER MINIMUM  
下地メッキ : ニッケルメッキ 1.0 マイクロメートル以上  
UNDER PLATING : NICKEL 1.0 MICROMETER MINIMUM  
金具 : リン青銅 FITTING NAIL : PHOSPHOR BRONZE  
錫メッキ 3.0 マイクロメートル以上  
TIN 3.0 MICROMETER MINIMUM  
下地メッキ : ニッケルメッキ 1.0 マイクロメートル以上  
UNDER PLATING : NICKEL 1.0 MICROMETER MINIMUM
6. 本製品は 53780-\*\*10/-\*\*18 の鉛フリー品である。  
THIS PRODUCT IS LEAD FREE OF 53780-\*\*10/-\*\*18.
7. ELV及びRoHS適合品  
ELV & RoHS COMPLIANT.

|      |       |       |       |       |                  |      |
|------|-------|-------|-------|-------|------------------|------|
| 8.75 | 22.5  | 26.27 | 23.75 | 30.15 | 53780-2070       | 20   |
| 6.25 | 16.25 | 20.02 | 17.5  | 23.9  | -1570            | 15   |
| 5    | 15    | 18.77 | 16.25 | 22.65 | -1470            | 14   |
| 2.5  | 10    | 13.77 | 11.25 | 17.65 | -1070            | 10   |
| 2.5  | 8.75  | 12.52 | 10    | 16.4  | -0970            | 9    |
| 1.25 | 7.5   | 11.27 | 8.75  | 15.15 | -0870            | 8    |
| 1.25 | 6.25  | 10.02 | 7.5   | 13.9  | -0770            | 7    |
| —    | 5     | 8.77  | 6.25  | 12.65 | -0670            | 6    |
| —    | 3.75  | 7.52  | 5     | 11.4  | -0570            | 5    |
| —    | 2.5   | 6.27  | 3.75  | 10.15 | -0470            | 4    |
| —    | —     | 5.02  | 2.5   | 8.9   | -0370            | 3    |
| —    | —     | 3.77  | 1.25  | 7.65  | 53780-0270       | 2    |
| E    | D     | C     | B     | A     | EMBOSSED PACKAGE | CKT. |
|      |       |       |       |       | オーダー番号 ORDER No. | 極数   |

CONNECTOR SERIES NO. 53780-\*\*19

THIS DRAWING CONTAINS INFORMATION THAT IS PROPRIETARY TO MOLEX ELECTRONIC TECHNOLOGIES, LLC AND SHOULD NOT BE USED WITHOUT WRITTEN PERMISSION

|                 |       |   |
|-----------------|-------|---|
| DIMENSION UNITS | SCALE | CURRENT REV DESC: OBSOLETE PART NUMBERS AS PER PCN#510806 |
| mm              | NTS   |   |

GENERAL TOLERANCES (UNLESS SPECIFIED)

|             |        |
|-------------|--------|
| ANGULAR TOL | ± 3.0° |
| 4 PLACES    | ± 0.2  |
| 3 PLACES    | ± 0.25 |
| 2 PLACES    | ± 0.3  |
| 1 PLACE     | ±      |
| 0 PLACES    | ±      |

EC NO: 733771  
DRWN: ANIKES1 2023/01/18  
CHK'D: GGA 2023/02/24  
APPR: GGA 2023/02/24

INITIAL REVISION:  
DRWN: TUENO 2004/04/16  
APPR: MSASAO 2004/04/21

DRAFT WHERE APPLICABLE MUST REMAIN WITHIN DIMENSIONS

THIRD ANGLE PROJECTION

DRAWING A3-SIZE

SERIES 53780

MATERIAL NUMBER SEE TABLE

CUSTOMER GENERAL MARKET

SHEET NUMBER 1 OF 2

DOCUMENT NUMBER SD-53780-003

DOC TYPE PSD

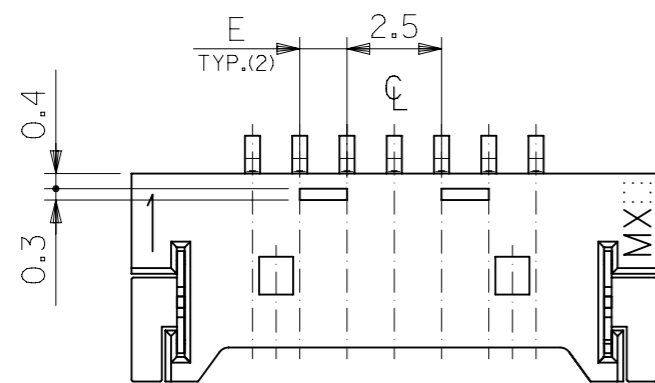
DOC PART 001

REVISION H

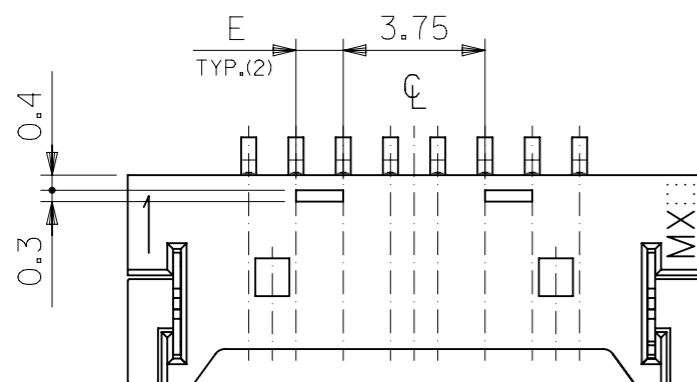


1.25 W/B CONN WAFER ASSY FOR SMT

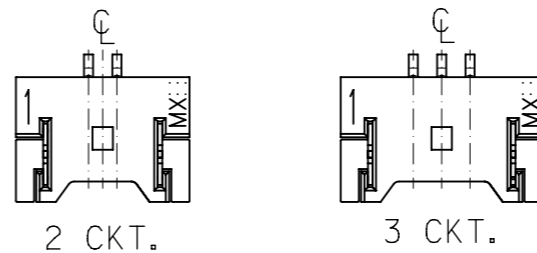
PRODUCT CUSTOMER DRAWING



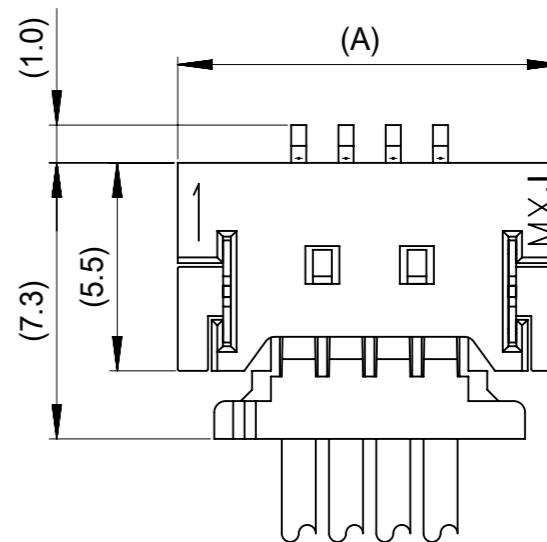
7~19極の奇数極に適用  
 APPLY FOR ODD CIRCUITS OF 7~19



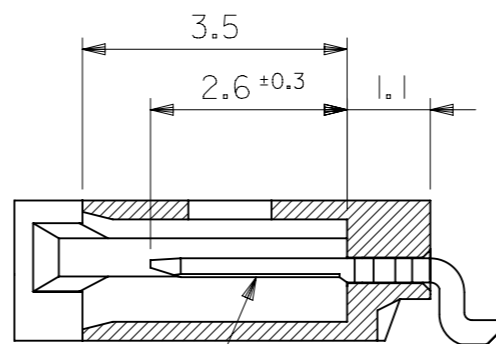
8~30 極の偶数極に適用  
 APPLY FOR EVEN CIRCUITS OF 8~30



ロック形状図  
 LOCK CONFIGURATION



嵌合図 (SCALE 5:1)  
 MATED CONNECTORS (SCALE 5:1)



SECT. Z-Z  
 PIN

CONNECTOR SERIES NO. 53780-\*\*19

THIS DRAWING CONTAINS INFORMATION THAT IS PROPRIETARY TO MOLEX ELECTRONIC TECHNOLOGIES, LLC AND SHOULD NOT BE USED WITHOUT WRITTEN PERMISSION

DIMENSION UNITS: mm  
 SCALE: NTS

CURRENT REV DESC: OBSOLETE PART NUMBERS  
 AS PER PCN#510806

**molex**

1.25 W/B CONN WAFER  
 ASSY FOR SMT

GENERAL TOLERANCES  
 (UNLESS SPECIFIED)

|                     |                     |       |
|---------------------|---------------------|-------|
| 1.0 <sup>OVER</sup> | 10 <sup>UNDER</sup> | ±0.2  |
| 10 <sup>OVER</sup>  | 30 <sup>UNDER</sup> | ±0.25 |
| 30 <sup>OVER</sup>  |                     | ±0.3  |

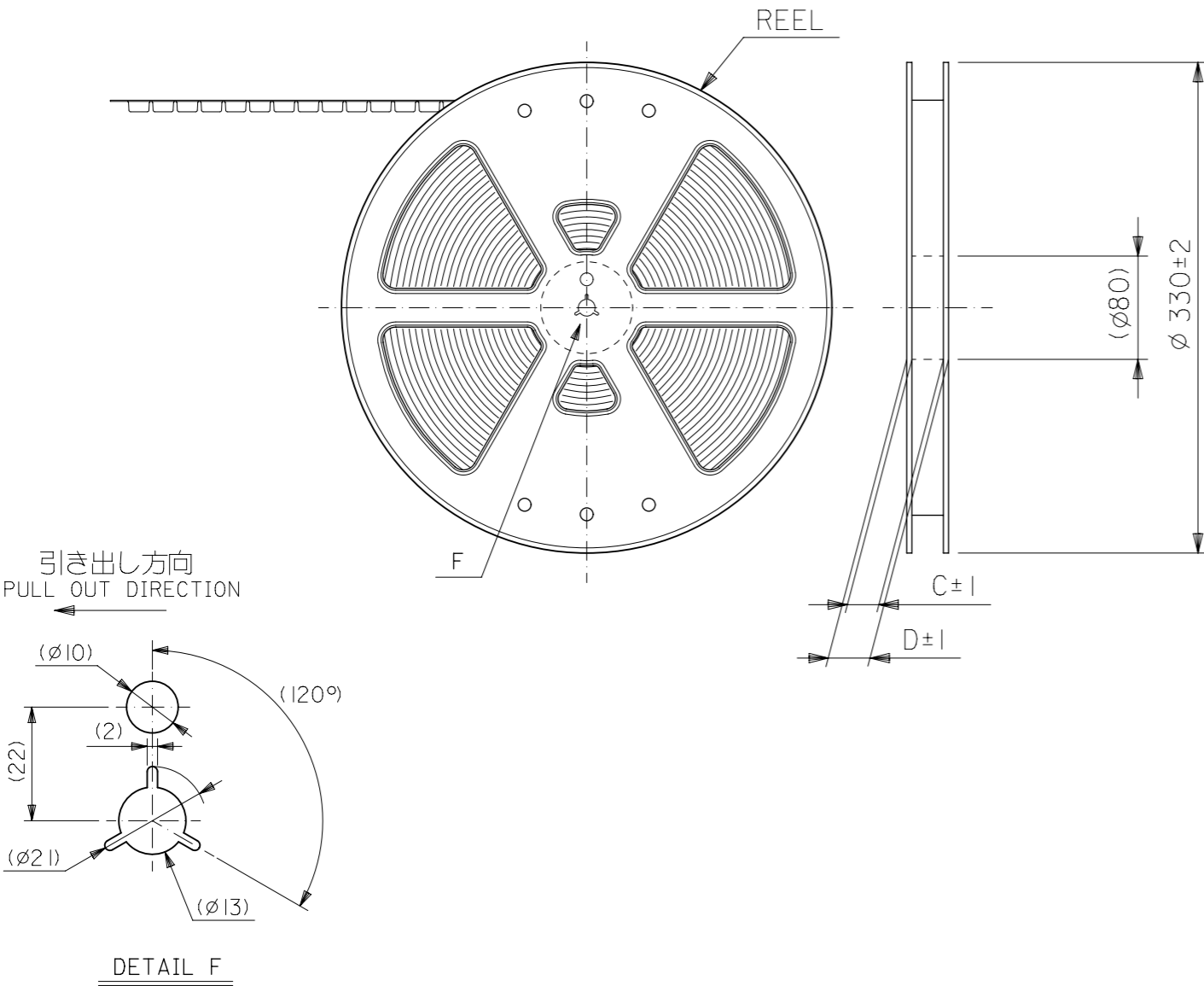
|                                       |        |
|---------------------------------------|--------|
| GENERAL TOLERANCES (UNLESS SPECIFIED) |        |
| ANGULAR TOL                           | ± 3.0° |
| 4 PLACES                              | ± 0.2  |
| 3 PLACES                              | ± 0.25 |
| 2 PLACES                              | ± 0.3  |
| 1 PLACE                               | ±      |
| 0 PLACES                              | ±      |

EC NO: 733771  
 DRWN: ANIKES1  
 CHK'D: GGA  
 APPR: GGA  
 INITIAL REVISION:  
 DRWN: TUENO  
 APPR: MSASAO

2023/01/18  
 2023/02/24  
 2023/02/24

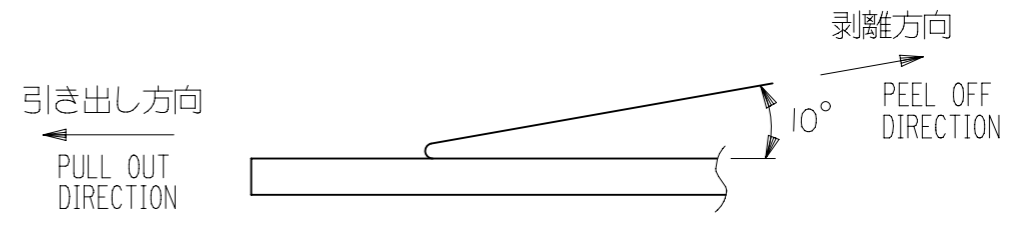
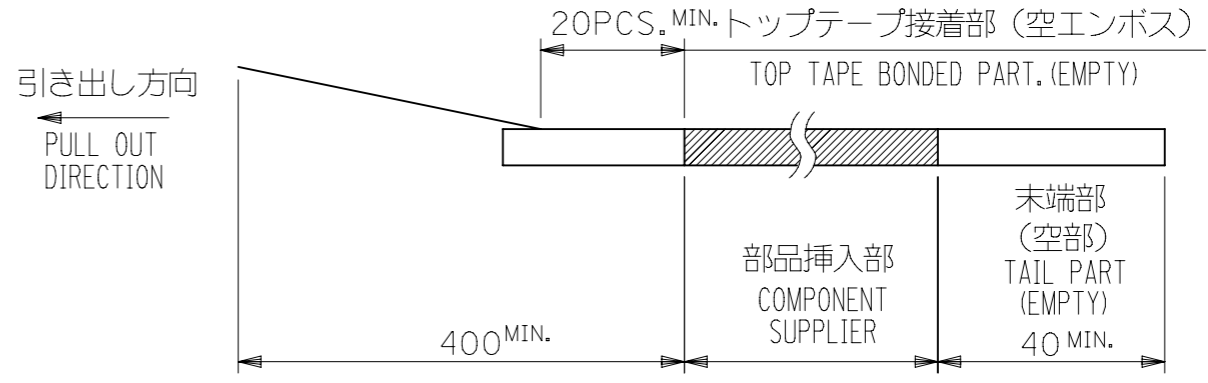
|                 |          |          |          |
|-----------------|----------|----------|----------|
| DOCUMENT NUMBER | DOC TYPE | DOC PART | REVISION |
| SD-53780-003    | PSD      | 001      | H        |

|  |                        |         |        |                 |                |              |
|--|------------------------|---------|--------|-----------------|----------------|--------------|
| DRAFT WHERE APPLICABLE MUST REMAIN WITHIN DIMENSIONS | THIRD ANGLE PROJECTION | DRAWING | SERIES | MATERIAL NUMBER | CUSTOMER       | SHEET NUMBER |
|  |                        | A3-SIZE | 53780  | SEE TABLE       | GENERAL MARKET | 2 OF 2       |



NOTES

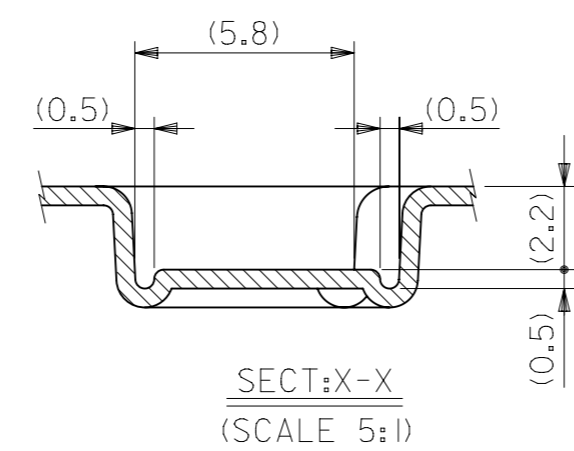
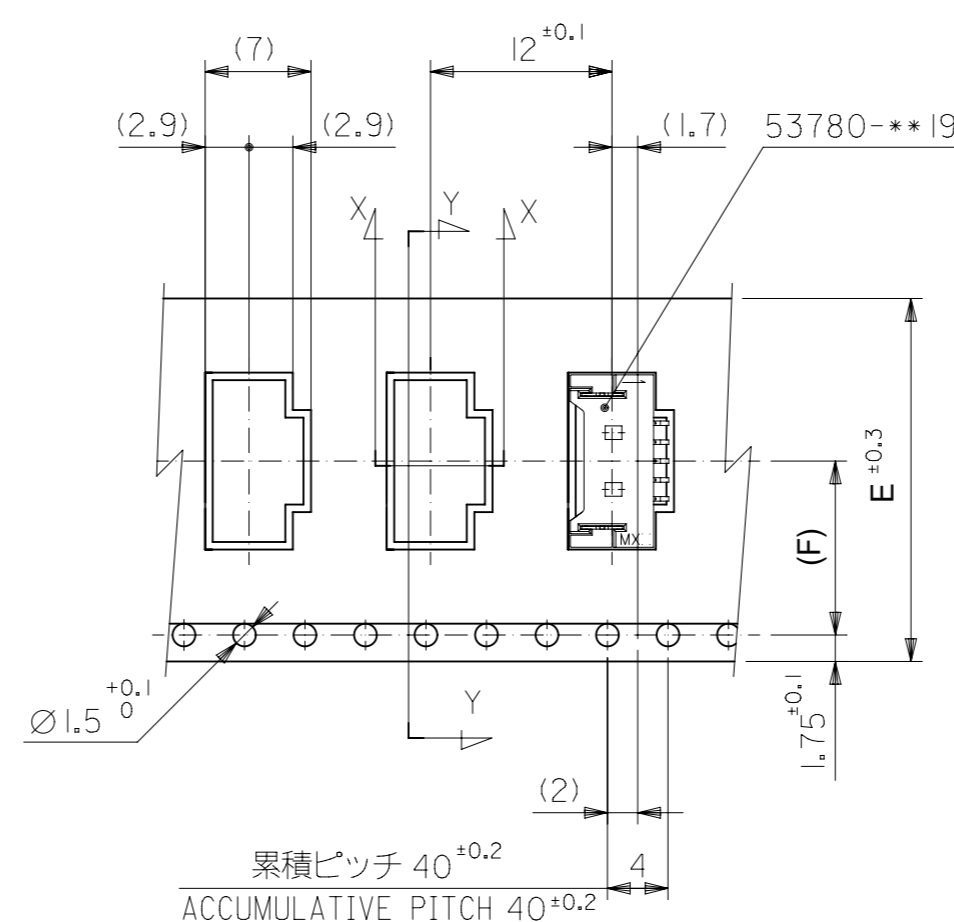
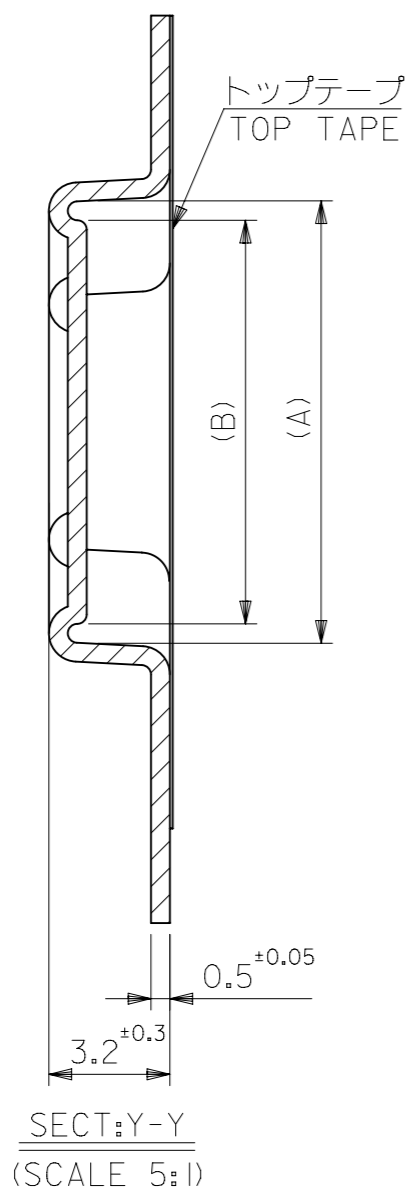
- 梱包数量：1500個/リール  
NUMBER OF CONNECTORS : 1500PCS/REEL
- リードテープ長さ LEAD TAPE LENGTH  
20PCS. MIN. トップテープ接着部 (空エンボス)  
TOP TAPE BONDED PART. (EMPTY)  
部品挿入部  
COMPONENT SUPPLIER  
末端部 (空部)  
TAIL PART (EMPTY)  
40 MIN.
- トップテープの剥離強度： 0.1N ~ 1.3N (10gf ~ 130gf)  
(剥離方向は下図参照)  
尚、本規格値は出荷時に適用。(但し、輸送時に剥離が発生しないこと。)  
PEELING OFF FORCE OF TOP TAPE : 0.1N ~ 1.3N (10gf ~ 130gf)  
(PEELING DIRECTION AS SHOWN IN FOLLOWING FIG.)  
THIS REQUIREMENT SHOULD BE APPLIED AT SHIPMENT.  
PEEL OFF SHOULD NOT BE ALLOWED, DURING TRANSPORTATION.



- 材料 (MATERIAL)  
キャリアテープ (CARRIER TAPE) : ポリプロピレン (POLYPROPYLENE)  
トップテープ (TOPTAPE) : PET, PE, PEF  
リール (REEL) : ポリスチレン (PS) <リサイクル材を含む>  
POLYSTYRENE (PS) <RECYCLE MATERIAL CONTAINED>
- 本製品は 53780-\*\*90/-\*\*80 の鉛フリー品である。  
THIS PRODUCT IS LEAD FREE OF 53780-\*\*90/-\*\*80.
- ELV及びRoHS適合品  
ELV & RoHS COMPLIANT

MODEL NO. 53780-\*\*70

|   |  |   |  |                             |  |
|---|--|---|--|-----------------------------|--|
| THIS DRAWING CONTAINS INFORMATION THAT IS PROPRIETARY TO MOLEX ELECTRONIC TECHNOLOGIES, LLC AND SHOULD NOT BE USED WITHOUT WRITTEN PERMISSION |  | CURRENT REV DESC: REMOVED OBSOLETE PART NUMBERS AS PER PCN#510806 |  | <b>molex</b>                |  |
| GENERAL TOLERANCES (UNLESS SPECIFIED)   |  | EC NO: 733771<br>DRWN: ANIKES1<br>CHK'D: GGA<br>APPR: GGA         |  |                             |  |
| 10 <sup>UNDER</sup> ±0.2  |  | 4 PLACES ±0.2   |  | 2023/01/18                  |  |
| 10 <sup>OVER</sup> 30 <sup>UNDER</sup> ±0.25  |  | 3 PLACES ±0.25  |  | 2023/02/24                  |  |
| 30 <sup>OVER</sup> ±0.3   |  | 2 PLACES ±0.3   |  | 2023/02/24                  |  |
| ANGULAR ±3°   |  | 1 PLACE ±   |  | INITIAL REVISION:           |  |
|   |  | 0 PLACES ±  |  | DRWN: TUENO<br>APPR: MSASAO |  |
| DRAFT WHERE APPLICABLE MUST REMAIN WITHIN DIMENSIONS  |  | THIRD ANGLE PROJECTION  |  | 2004/04/16<br>2004/04/21    |  |
|   |  | DRAWING A3-SIZE   |  | SERIES 53780                |  |
|   |  | MATERIAL NUMBER SEE TABLE   |  | CUSTOMER GENERAL MARKET     |  |
|   |  | DOCUMENT NUMBER SD-53780-004                                      |  | DOC TYPE PSD                |  |
|   |  | DOC PART 001  |  | REVISION C                  |  |
|   |  | SHEET NUMBER 1 OF 3   |  |                             |  |



|      |                                     |      |      |           |            |              |            |
|------|-------------------------------------|------|------|-----------|------------|--------------|------------|
| 11.5 | 24                                  | 29.4 | 25.4 | 11.75     | 16.7       | 53780-0970   | 9          |
|      |                                     |      |      | 10.5      | 15.45      | 53780-0870   | 8          |
|      |                                     |      |      | 9.25      | 14.2       | 53780-0770   | 7          |
|      |                                     |      |      | 8         | 12.95      | 53780-0670   | 6          |
|      |                                     |      |      | 6.75      | 11.7       | 53780-0570   | 5          |
|      |                                     |      |      | 5.5       | 10.45      | 53780-0470   | 4          |
| 7.5  | 16                                  | 21.4 | 17.4 | 4.25      | 9.2        | 53780-0370   | 3          |
|      |                                     |      |      | 3         | 7.95       | 53780-0270   | 2          |
| (F)  | E<br>キャリアテープ幅<br>CARRIER TAPE WIDTH | D    | C    | (B)       | (A)        | MATERIAL NO. | 極数<br>CKT. |
|      |                                     |      |      | MODEL NO. | 53780-**70 |              |            |

THIS DRAWING CONTAINS INFORMATION THAT IS PROPRIETARY TO MOLEX ELECTRONIC TECHNOLOGIES, LLC AND SHOULD NOT BE USED WITHOUT WRITTEN PERMISSION

|  |       |   |   |  |  |
|--|-------|---|---|--|--|
| DIMENSION UNITS                                      | SCALE | CURRENT REV DESC: REMOVED OBSOLETE PART NUMBERS AS PER PCN#510806 | <b>molex</b>                              |  |  |
| mm   | NTS   |   |   |  |  |
| GENERAL TOLERANCES (UNLESS SPECIFIED)                |       |   | 1.25 W/B WAFER ASSY EMBOSSED TAPE PACKAGE |  |  |
| GENERAL TOLERANCES (UNLESS SPECIFIED)                |       |   | PRODUCT CUSTOMER DRAWING                  |  |  |
| ANGULAR TOL ± 3.0°                                   |       |   | DOCUMENT NUMBER                           |  |  |
| 4 PLACES ± 0.2                                       |       |   | SD-53780-004                              |  |  |
| 3 PLACES ± 0.25                                      |       |   | DOC TYPE                                  |  |  |
| 2 PLACES ± 0.3                                       |       |   | PSD                                       |  |  |
| 1 PLACE ±  |       |   | DOC PART                                  |  |  |
| 0 PLACES ±   |       |   | 001                                       |  |  |
| DRAFT WHERE APPLICABLE MUST REMAIN WITHIN DIMENSIONS |       |   | REVISION                                  |  |  |
| THIRD ANGLE PROJECTION                               |       |   | C   |  |  |
| DRAWING  |       |   | SHEET NUMBER                              |  |  |
| A3-SIZE  |       |   | 2 OF 3                                    |  |  |
| SERIES   |       |   | MATERIAL NUMBER                           |  |  |
| 53780  |       |   | SEE TABLE                                 |  |  |
| CUSTOMER   |       |   | GENERAL MARKET                            |  |  |

EC NO: 733771  
DRWN: ANIKES1  
CHK'D: GGA  
APPR: GGA  
INITIAL REVISION:  
DRWN: TUENO  
APPR: MSASAO

2023/01/18  
2023/02/24  
2023/02/24  
2004/04/16  
2004/04/21

|                                       |                     |       |
|---------------------------------------|---------------------|-------|
| GENERAL TOLERANCES (UNLESS SPECIFIED) |                     |       |
| 1.0 <sup>OVER</sup>                   | 10 <sup>UNDER</sup> | ±0.2  |
| 10 <sup>OVER</sup>                    | 30 <sup>UNDER</sup> | ±0.25 |
| 30 <sup>OVER</sup>                    |                     | ±0.3  |
| ANGULAR                               |                     | ±3°   |

