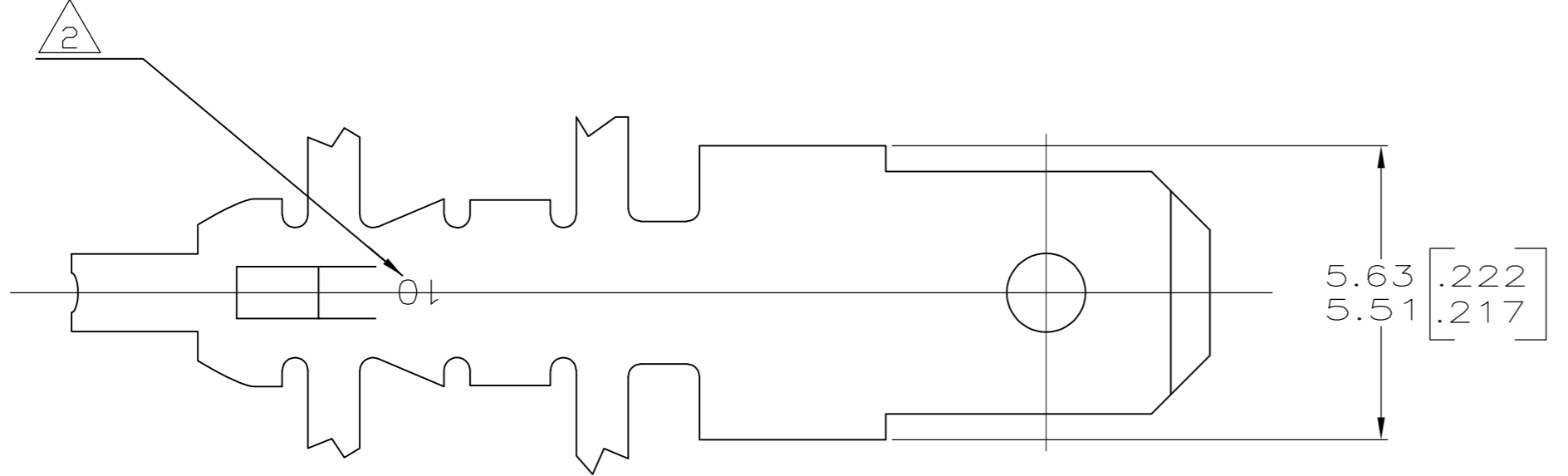
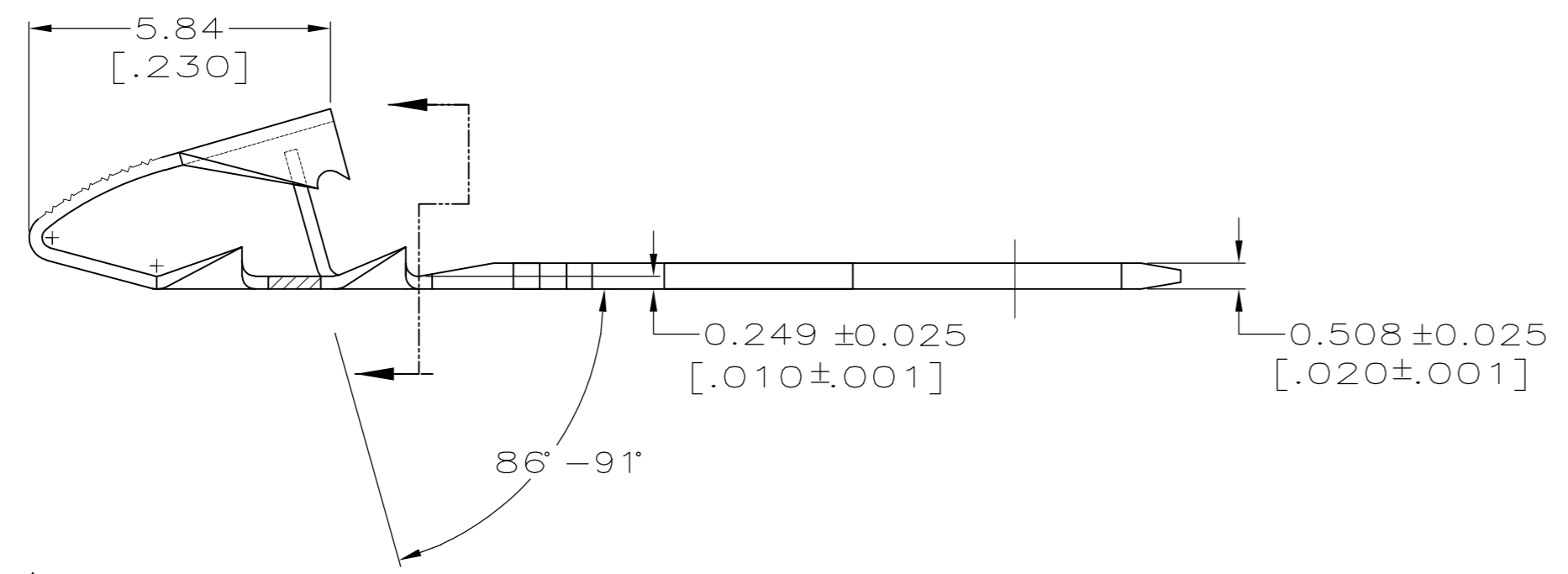
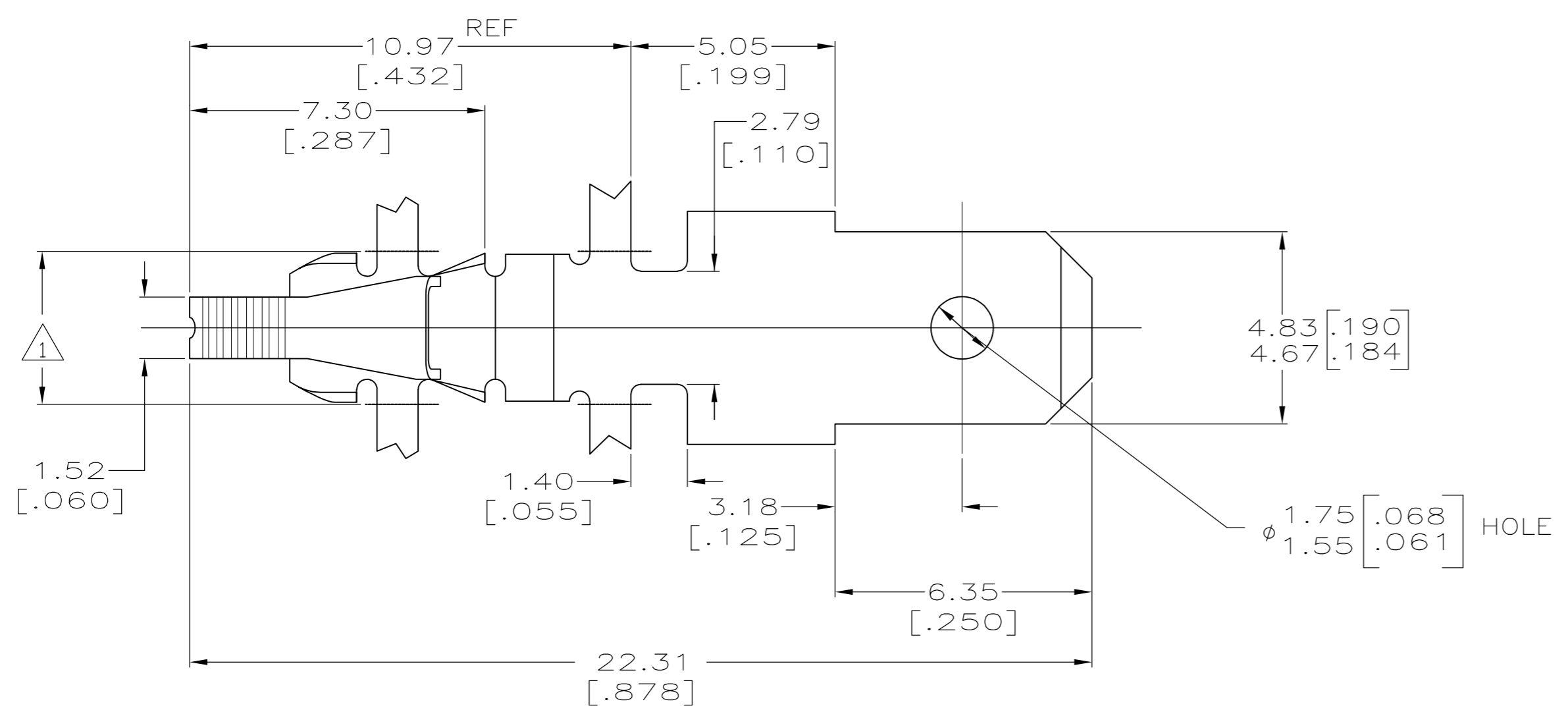
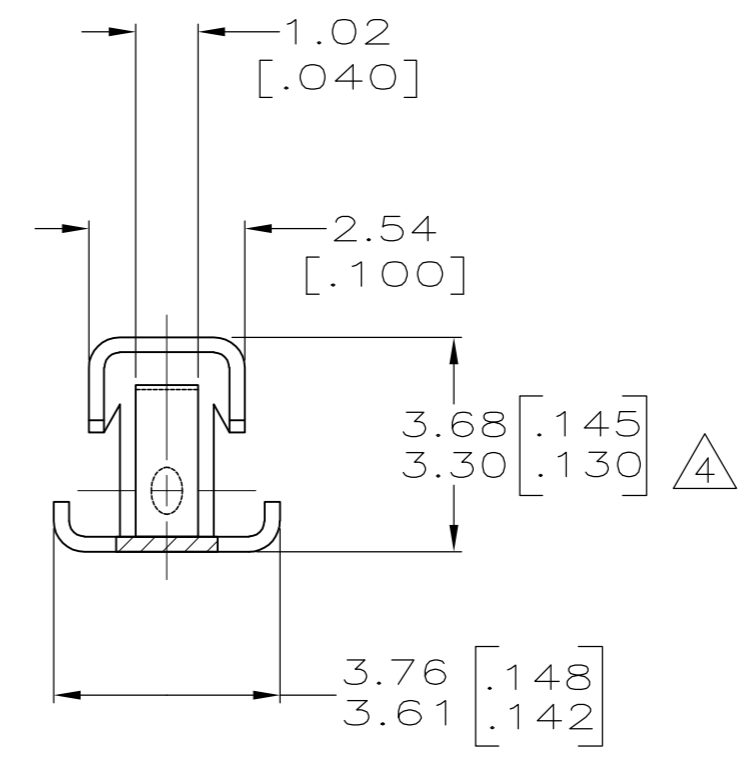


THIS DRAWING IS UNPUBLISHED. RELEASED FOR PUBLICATION
 © COPYRIGHT - By - ALL RIGHTS RESERVED.

LOC		DIST		REVISIONS			
P	LTR	DESCRIPTION	DATE	DWN	APVD		
AF	50	D1	ECR-15-017374	30NOV15	PKS	RRP	



- ① 3.78±0.13 [.149±.005] APPLICATOR CUT-OFF, 2 PLACES.
- ② IDENTIFICATION NUMBER 10 FOR MAGNET WIRE RANGE.
- 3 CONTINUOUS STRIP ON REELS WITH TERMINALS LOCATED ON 8.38±0.08 [.330±.003] CENTERS
- ④ 2.72-2.97 [.107-.117] CONTACT HEIGHT WHEN COMPRESSED AGAINST ANTI-OVERSTRESS.



0.05-0.13mm [#44-#36] AWG	1217529-1
MAGNET WIRE RANGE	PART NUMBER

THIS DRAWING IS A CONTROLLED DOCUMENT.		DWN MICHAEL S. FEHER 10NOV2000	TE Connectivity	
DIMENSIONS: INCHES		CHK KURT A. RANDOLPH 10NOV2000	NAME KURT A. RANDOLPH	
TOLERANCES UNLESS OTHERWISE SPECIFIED:		APVD KURT A. RANDOLPH 10NOV2000	PRODUCT SPEC 108-2016	
0 PLC ± -		APPLICATION SPEC 114-2047		
1 PLC ± -		SIZE A2		
2 PLC ± 0.25 [.010]		CAGE CODE 00779		
3 PLC ± -		DRAWING NO 1217529		
4 PLC ± -		RESTRICTED TO -		
ANGLES ± -		WEIGHT -		
FINISH TIN PLATE		SCALE 8:1		
MATERIAL H04 PRE-MILLED		SHEET 1 of 1		
CUSTOMER DRAWING		REV D1		