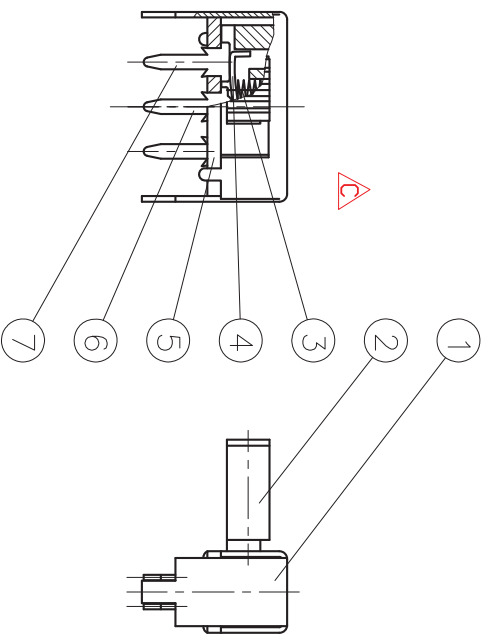
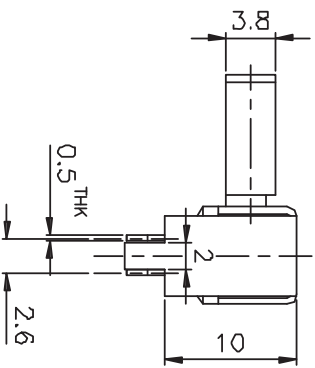
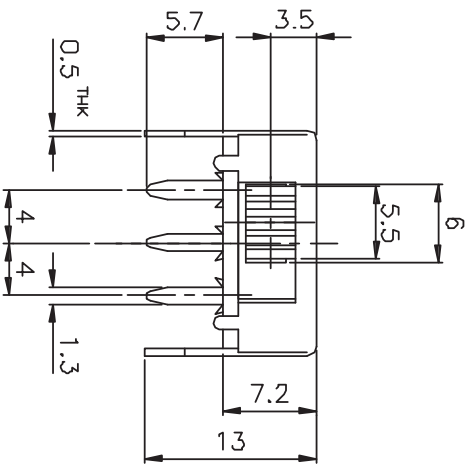


SCHEMATIC

NO.	PARTS NO.	PARTS NAME	QTY.	MATERIAL	REMARK
7	T-SK22F03-01	TERMINAL	4	0.50 <sup>THK</sup> BRASS PLATE	Ag PLATED
6	T-SK22F03-02	TERMINAL	2	0.50 <sup>THK</sup> BRASS PLATE	Ag PLATED
5	TB-SK22F01	TERMINAL BASE	1	1.2 <sup>THK</sup> P.C. BOARD	COLOR: BROWN
4	C-CP08	CLIP	2	0.45 <sup>THK</sup> COPPER WIRE	
3	0-31x180x395(6.5)H	SPRING	2	MUSIC WIRE	
2	K-SK22F01	KNOB	1	POM	COLOR: BLACK
1	S-SK22F03	SHELL	1	0.5 <sup>THK</sup> C.R.S.	Ni PLATED



- SPECIFICATIONS:
1. RATING: DC 50V 0.5A
  2. CONTACT RESISTANCE: NOT MORE THAN 30mOhm(INITIAL)
  3. INSULATION RESISTANCE: 500MOhm AT 500V DC
  4. WITHSTAND VOLTAGE: AC 500V FOR 1 MINUTE
  5. OPERATION FORCE: 400± 200g
  6. SWITCHING LIFE: 10,000 CYCLES (6-100cm LOADING)
  7. ALL DIMS ARE IN mm

ECN#	DATE	SYM	REVISION RECORD
09-157	05/31/09	C	ADDED COLOR OF TERMINAL AND ADDED MATERIAL SPECIFICATION
07-151	03/16/07	B	CHANGED THE PART TO NEW PRINT&CHANGED THE PART TO ROHS COMPLIANT
05-164	04/01/05	A	REVISED DWG. SEE VOID COPY AND ADDED SHEET 2 OF 2

PROJECTION	DR	DATE	REF.
SCALE	SL	10/1/02	P/N: SK-22F03-G7-NL
TOLERANCE	CK	PRE-	DRAWING NO. 0896
EXCEPT AS NOTED	SL	SW	SIZE A
DEC. MILLIMETERS	SL	SW	REV. C
±0.2	SL	SW	
±3°	SL	SW	

TITLE: SLIDE SWITCH-ROHS COMPLIANT

**RDI** Research Develop Innovate

RDI Inc. 333 North Bedford Road, Suite 135, Mount Kisco, NY 10549

THIS DOCUMENT IS OWNED BY AND THE INFORMATION CONTAINED IN IT IS PROPRIETARY TO RDI. BY RECEIPT HEREOF THE HOLDER AGREES NOT TO USE THE INFORMATION AND NOT TO DISCLOSE IT TO ANY THIRD PARTY, NOR REPRODUCE THIS DOCUMENT WITHOUT THE WRITTEN CONSENT OF RDI, AND AGREES TO RETURN THIS DOCUMENT FORTHWITH UPON REQUEST.