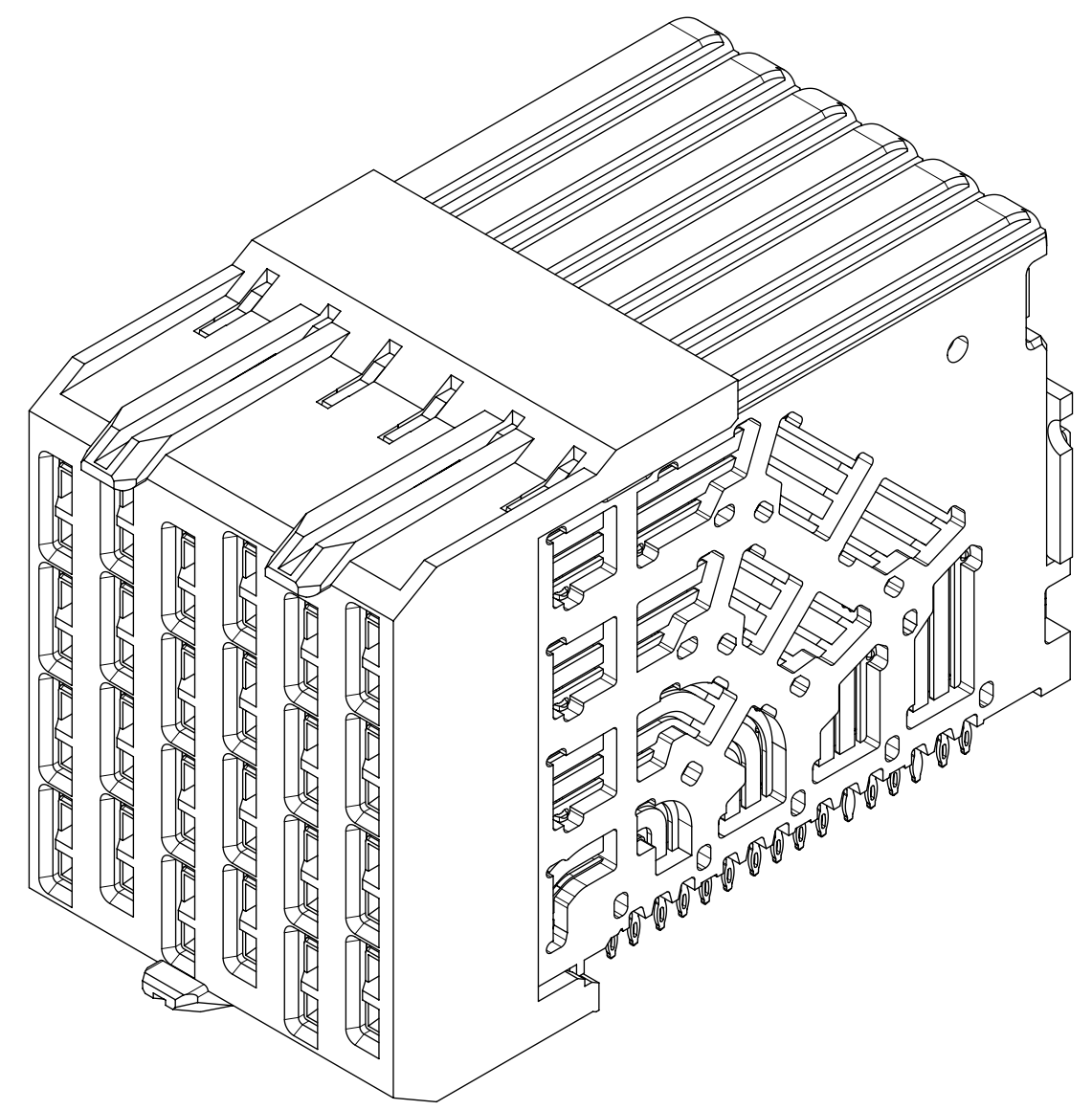


NOTES:

1. MATERIALS: HOUSING - LIQUID CRYSTAL POLYMER (LCP)  
GLASS - FILLED, UL94V-0  
TERMINALS - HIGH PERFORMANCE COPPER ALLOY
2. FINISH: 30uIN GOLD IN CONTACT AREA.  
SELECTIVE TIN ON PCB TAILS.  
NICKEL OVERALL.
3. REFER TO MOLEX PRODUCT SPECIFICATION PS-171320-999 FOR PERFORMANCE SPECIFICATIONS.
4. THIS PART CONFORMS TO CLASS B REQUIREMENTS OF MOLEX COSMETIC SPEC PS-45499-002.
5. PRODUCT WILL BE PACKAGED PER PK-78888-085.
6. SEE SHEET 2 FOR HOLE PATTERN DIMENSIONS.
7. MATES WITH IMPEL BP SERIES NUMBER 171325.
8. REFER TO IMPEL PCB ROUTING GUIDE AS-171320-990 FOR ANTIPAD, ROUTING RECOMMENDATIONS, AND ADDITIONAL PCB INFORMATION.
9. THE 6 AND 8 COLUMN DC ASSEMBLIES ARE DESIGNED TO MATE WITH EITHER THE 6 OR 8 COLUMN BP HEADERS. WHEN MATING AN 8 COLUMN DC WITH A 6 COLUMN HEADER, DC COLUMN 8 WILL ALIGN WITH BP COLUMN 6. WHEN MATING A 6 COLUMN DC WITH AN 8 COLUMN HEADER, DC COLUMN 6 WILL ALIGN WITH BP COLUMN 8.

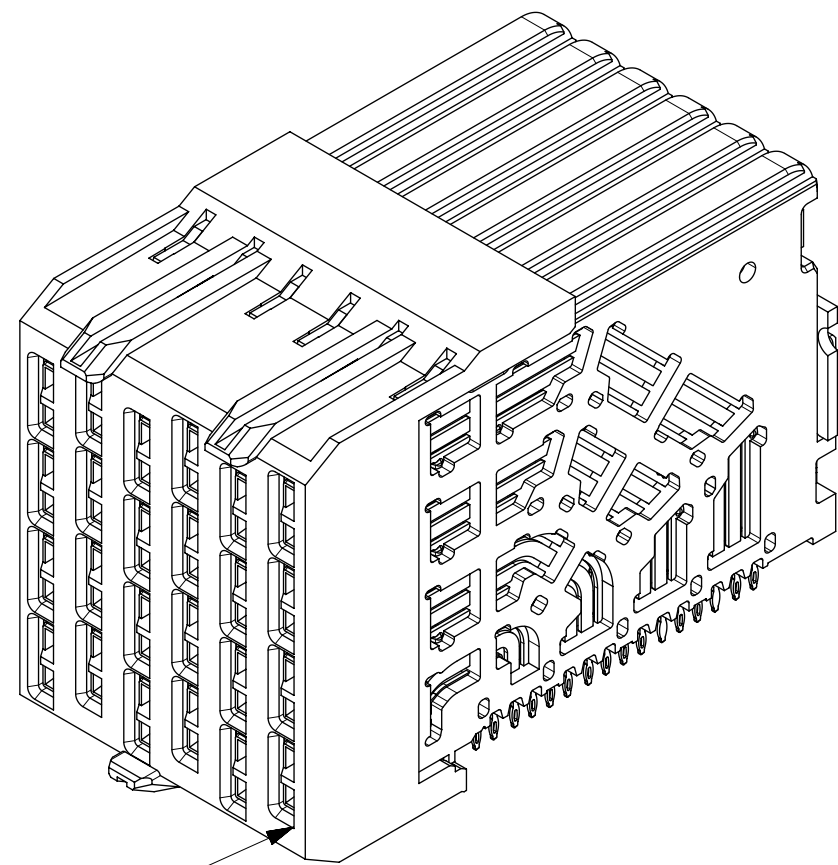


|                 |            |   |  |              |  |                        |  |  |  |                       |  |  |
|-----------------|------------|---|--|--------------|--|------------------------|--|--|--|-----------------------|--|--|
| QUALITY SYMBOLS |            | THIS DRAWING CONTAINS INFORMATION THAT IS PROPRIETARY TO MOLEX ELECTRONIC TECHNOLOGIES, LLC AND SHOULD NOT BE USED WITHOUT WRITTEN PERMISSION |  |              |  | DIMENSION UNITS        |  | SCALE  |  |                       |  |  |
| ▽ = 0           | ▽ = 0      | GENERAL TOLERANCES (UNLESS SPECIFIED)   |  | MM ONLY      |  | 4:1                    |  | IMPEL DAUGHTERCARD ASSY<br>4 PAIR - 3MM PITCH UNGUIDED SALES DRAWING |  |                       |  |  |
| ▽ = 0           | ▽ = 0      | ANGULAR TOL ± 0.5 °   |  | DRWN BY      |  | DATE                   |  | PRODUCT CUSTOMER DRAWING   |  |                       |  |  |
| ▽ = 0           | ▽ = 0      | 4 PLACES ±  |  | JLAURX       |  | 2013/04/02             |  | SERIES   |  |                       |  |  |
| ▽ = 0           | ▽ = 0      | 3 PLACES ±  |  | CHK'D BY     |  | DATE                   |  | MATERIAL NUMBER  |  | CUSTOMER              |  |  |
| ▽ = 0           | ▽ = 0      | 2 PLACES ± 0.13   |  | APPR BY      |  | DATE                   |  | 171329   |  | GENERAL MARKET        |  |  |
| ▽ = 0           | ▽ = 0      | 1 PLACE ± 0.25  |  | JBINGHAM     |  | 2014/09/16             |  | SEE CHART  |  | DOCUMENT NUMBER       |  |  |
| ▽ = 0           | ▽ = 0      | 0 PLACES ±  |  | DRAWING SIZE |  | THIRD ANGLE PROJECTION |  | SD-171329-0001   |  | DOC TYPE              |  |  |
| ▽ = 0           | ▽ = 0      | DRAFT WHERE APPLICABLE MUST REMAIN WITHIN DIMENSIONS  |  | C            |  |                        |  | PSD  |  | DOC PART SHEET NUMBER |  |  |
| ▽ = 0           | ▽ = 0      | MIGRATED TO NX  |  | A2           |  |                        |  | 001  |  | 1 OF 2                |  |  |
| EC NO: 178572   | 2017/11/29 | DRWN: SMAHESHBABU   |  | 2018/07/04   |  | 2018/07/17             |  |  |  |                       |  |  |
| CHKD: YLLIM     |            | APPR: DWLEE01   |  |              |  |                        |  |  |  |                       |  |  |

| MATERIAL NUMBER | NUMBER OF COLUMNS | NUMBER OF DIFF PAIR | DIM "A"   | DIM "B" |
|-----------------|-------------------|---------------------|-----------|---------|
| 171329-1036     | 6                 | 24                  | 18.00 MAX | 15.00   |
| 171329-1038     | 8                 | 32                  | 24.00 MAX | 21.00   |
| 171329-1020     | 10                | 40                  | 30.00 MAX | 27.00   |

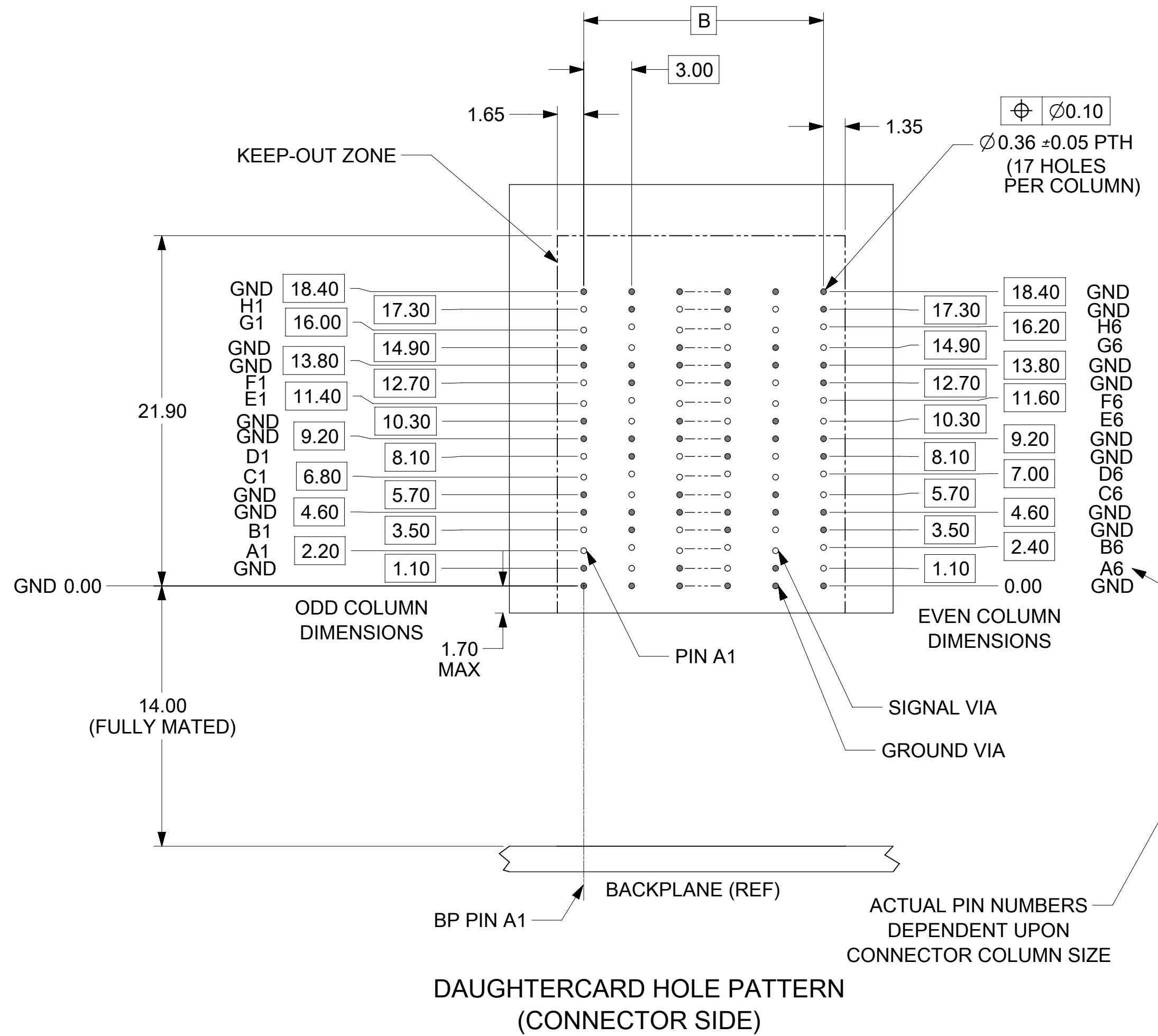
171329-10\*\*

COLUMN SIZE  
 36 = 6 COLUMN  
 38 = 8 COLUMN  
 20 = 10 COLUMN



COLUMN 8

8 COLUMN ASSEMBLY  
 (SEE NOTE 9)



|                 |   |  |   |  |                 |                        |  |                 |          |                |          |     |              |        |
|-----------------|---|--|---|--|-----------------|------------------------|--|-----------------|----------|----------------|----------|-----|--------------|--------|
| QUALITY SYMBOLS | THIS DRAWING CONTAINS INFORMATION THAT IS PROPRIETARY TO MOLEX ELECTRONIC TECHNOLOGIES, LLC AND SHOULD NOT BE USED WITHOUT WRITTEN PERMISSION |  |   |  |                 |                        |  |                 |          |                |          |     |              |        |
| ▽ = 0           | EC NO: 178572<br>DRWN: SMAHESHBABU<br>CHKD: YLLIM<br>APPR: DWLEED01<br>MIGRATED TO NX<br>2017/11/29<br>2018/07/04<br>2018/07/17               | GENERAL TOLERANCES (UNLESS SPECIFIED)                |   |  | DIMENSION UNITS | SCALE                  |  |                 |          |                |          |     |              |        |
| ▽ = 0           |   | ANGULAR TOL ± 0.5 °                                  |   |  | MM ONLY         | 4:1                    |  |                 |          |                |          |     |              |        |
| ▽ = 0           |   | 4 PLACES ±   |   |  | DRWN BY         | DATE                   | IMPEL DAUGHTERCARD ASSY<br>4 PAIR - 3MM PITCH UNGUIDED SALES DRAWING<br>PRODUCT CUSTOMER DRAWING |                 |          |                |          |     |              |        |
| ▼ = 0           |   | 3 PLACES ±   |   |  | JLAURX          | 2013/04/02             |  |                 |          |                |          |     |              |        |
| ▽ = 0           |   | 2 PLACES ± 0.13                                      |   |  | CHKD BY         | DATE                   |  |                 |          |                |          |     |              |        |
| ⊠ = 0           |   | 1 PLACE ± 0.25                                       |   |  | APPR BY         | DATE                   |  |                 |          |                |          |     |              |        |
| ■ = 0           |   | 0 PLACES ±   |   |  | JBINGHAM        | 2014/09/16             |  |                 |          |                |          |     |              |        |
| ▽ = 0           |   | DRAFT WHERE APPLICABLE MUST REMAIN WITHIN DIMENSIONS |   |  | DRAWING SIZE    | THIRD ANGLE PROJECTION | SERIES   | MATERIAL NUMBER | CUSTOMER | GENERAL MARKET |          |     |              |        |
|                 |   | A2   | C |  | 171329          | SEE CHART              | DOCUMENT NUMBER  | SD-171329-0001  | DOC TYPE | PSD            | DOC PART | 001 | SHEET NUMBER | 2 OF 2 |