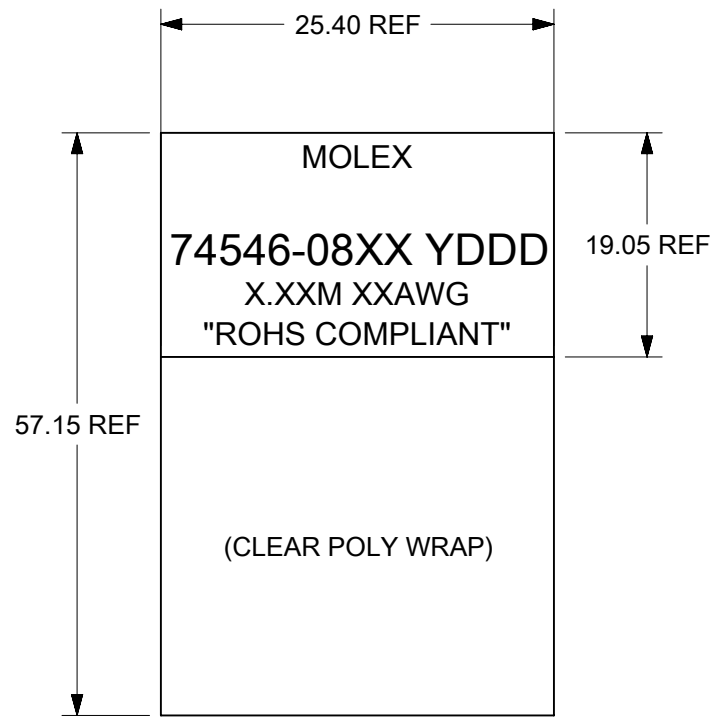


LABEL DETAILS



P/N	LENGTH	GAGE	TOLERANCE	JACKET RATING
74546-0801	1M	28	0.05M	VW1
74546-0802	2M	28	0.05M	VW1
74546-0803	3M	28	0.05M	VW1
74546-0804	4M	28	0.10M	VW1
74546-0805	5M	26	0.10M	CL2
74546-0806	6M	26	0.13M	CL2
74546-0807	7M	24	0.13M	CL2
74546-0808	8M Δ	24	0.13M	CL2
74546-0809	9M Δ	24	0.15M	CL2
74546-0810	10M Δ	24	0.15M	CL2
74546-0813	0.5M	28	0.03M	VW1

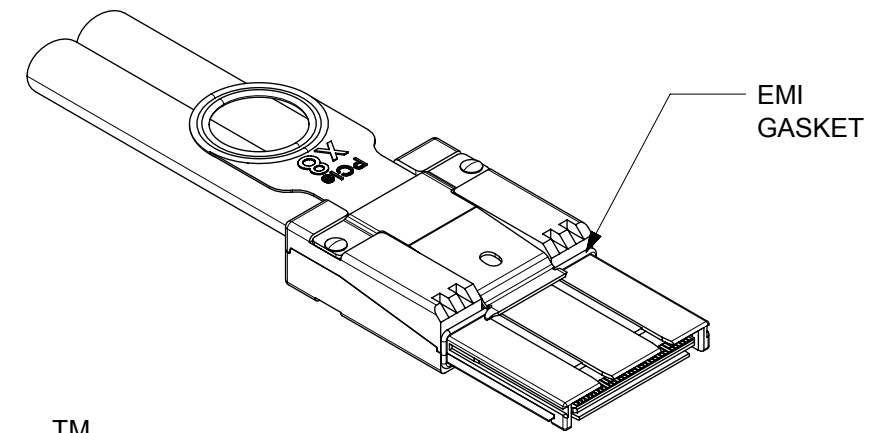
- NOTES:**
- MATERIAL= BACKSHELLS - ZINC DIECAST
PULL - NYLON
CABLE JACKET RATING - SEE TABLE.
 - LENGTH AND TOLERANCE - SEE TABLE
 - ELECTRICAL PERFORMANCE PER PCI EXPRESS EXTERNAL CABLING SPEC.
 - PLUG MATES TO RECEPTACLE 75586-0002, AND EMI GUIDE HOUSING ASSY. 74540-0100
 - ASSEMBLY IS TO BE RoHS COMPLIANT BY FEBRUARY 1, 2006.
- Δ . NOT COMPLIANT WITH INSERTION LOSS SPEC PER THR PCIe CABLING SPEC.

P/N: 74546-08XX - MOLEX PART NUMBER (SEE P/N TABLE)

X.XXM = CABLE LENGTH IN METERS (EX-0.5M, 1.0M, 1.5M)
SEE P/N TABLE FOR THE NUMBER OF DIGITS

XXAWG = CABLE SIZE IN AWG

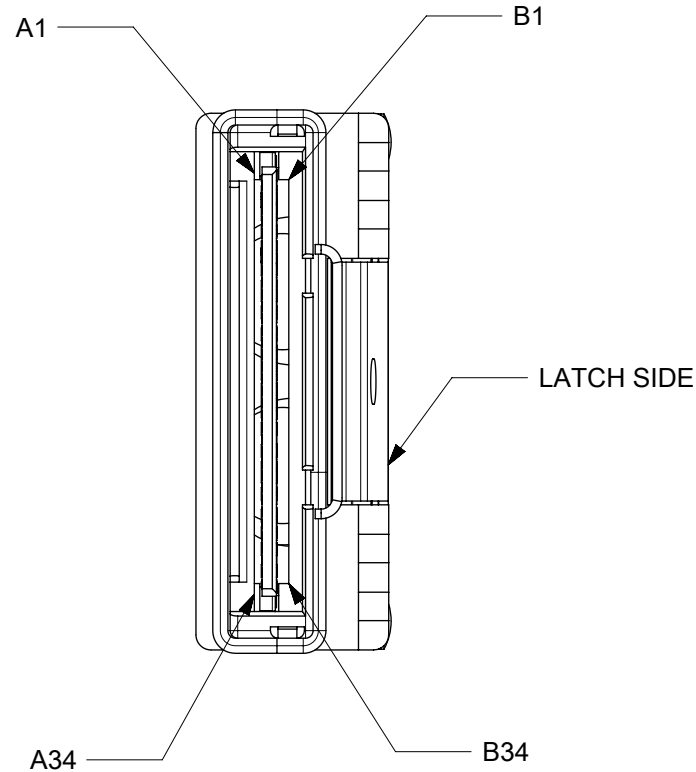
S/N: YDDD - SERIAL NUMBER
Y = YEAR, THE LAST DIGIT OF YEAR
DDD = DAY OF THE YEAR



TM
IPASS IS A TRADEMARK OF MOLEX

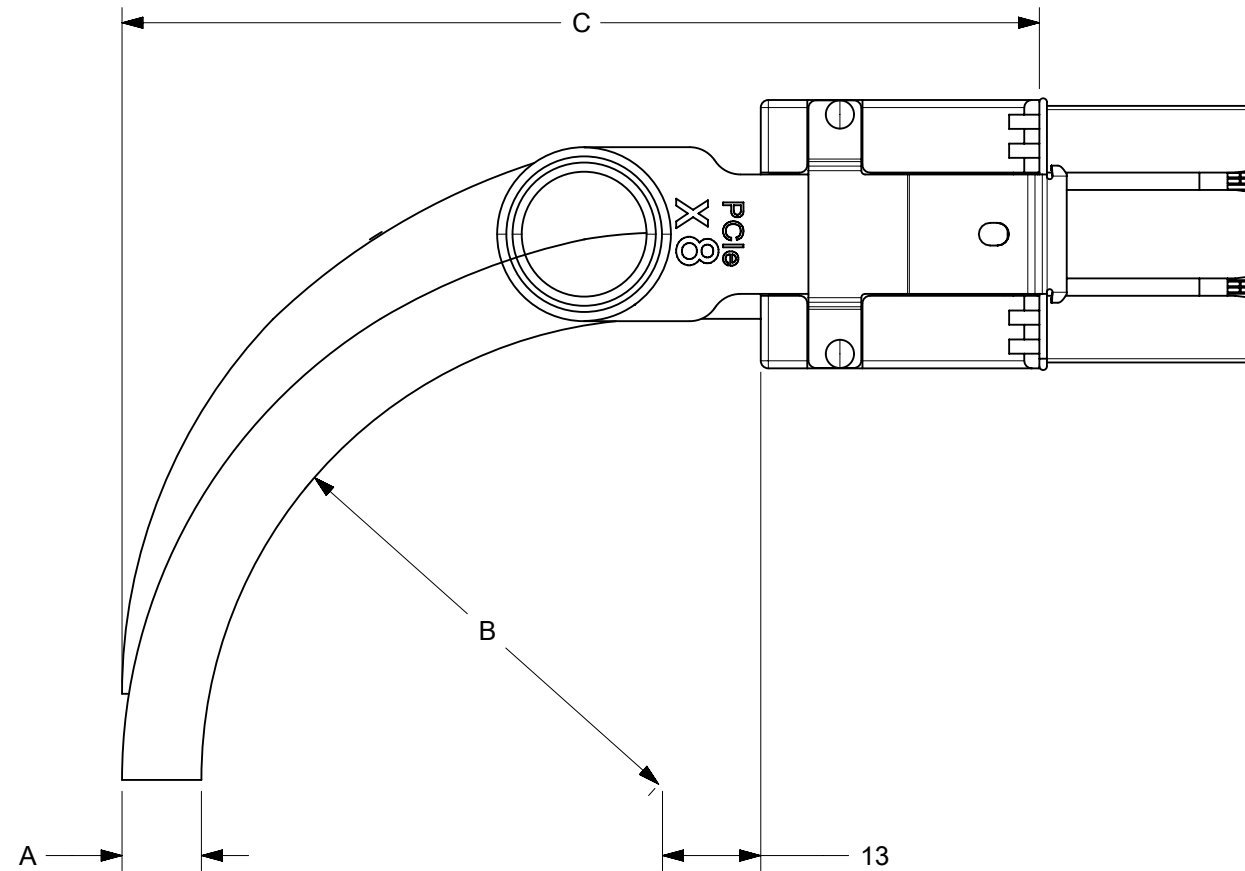
FUNCTIONAL SYMBOLS	THIS DRAWING CONTAINS INFORMATION THAT IS PROPRIETARY TO MOLEX ELECTRONIC TECHNOLOGIES, LLC AND SHOULD NOT BE USED WITHOUT WRITTEN PERMISSION		CURRENT REV DESC: MIGRATED TO NX			molex			
	0	mm							SCALE
	0	GENERAL TOLERANCES (UNLESS SPECIFIED)		EC NO: 697045		I-PASS X8 CABLE ASSEMBLY GEN 1			
	0	ANGULAR TOL \pm 0.5°		DRWN: SKRISHNAMURT		PRODUCT CUSTOMER DRAWING			
DIVISIONAL SYMBOLS	4 PLACES	\pm	2022/01/14		DOCUMENT NUMBER				
	3 PLACES	\pm	2022/02/24		SD-74546-800				
	2 PLACES	\pm 0.13	2022/02/24		PSD 001 L1				
	1 PLACE	\pm 0.25	INITIAL REVISION:		DOC TYPE DOC PART REVISION				
0 PLACES	\pm	2004/11/16		MATERIAL NUMBER					
DRAFT WHERE APPLICABLE MUST REMAIN WITHIN DIMENSIONS		THIRD ANGLE PROJECTION		DRAWING		SERIES		CUSTOMER	
				B-SIZE		74546		GENERAL MARKET	
								SHEET NUMBER	
								1 OF 4	

GND	A1	B1	GND
PETp0	A2	B2	PERp0
PETn0	A3	B3	PERn0
GND	A4	B4	GND
PETp1	A5	B5	PERp1
PETn1	A6	B6	PERn1
GND	A7	B7	GND
PETp2	A8	B8	PERp2
PETn2	A9	B9	PERn2
GND	A10	B10	GND
PETp3	A11	B11	PERp3
PETn3	A12	B12	PERn3
GND	A13	B13	GND
CREFLK+	A14	A14	CREFLK+
CREFLK-	A15	A15	CREFLK-
GND	A16	A16	GND
NC	A17	A17	NC
NC	A18	A18	NC
SB_RTN	A19	A19	SB_RTN
CPRSNT#	A20	A20	CPRSNT#
CPWRON	A21	A21	CPWRON
GND	A22	B22	GND
PETp4	A23	B23	PERp4
PETn4	A24	B24	PERn4
GND	A25	B25	GND
PETp5	A26	B26	PERp5
PETn5	A27	B27	PERn5
GND	A28	B28	GND
PETp6	A29	B29	PERp6
PETn6	A30	B30	PERn6
GND	A31	B31	GND
PETp7	A32	B32	PERp7
PETn7	A33	B33	PERn7
GND	A34	B34	GND
GND	B1	A1	GND
PERp0	B2	A2	PETp0
PERn0	B3	A3	PETn0
GND	B4	A4	GND
PERp1	B5	A5	PETp1
PERn1	B6	A6	PETn1
GND	B7	A7	GND
PERp2	B8	A8	PETp2
PERn2	B9	A9	PETn2
GND	B10	A10	GND
PERp3	B11	A11	PETp3
PERn3	B12	A12	PETn3
GND	B13	A13	GND
NC	B14	B14	NC
NC	B15	B15	NC
NC	B16	B16	NC
NC	B17	B17	NC
NC	B18	B18	NC
NC	B19	B19	NC
CWAKE#	B20	B20	CWAKE#
CPERST#	B21	B21	CPERST#
GND	B22	A22	GND
PERp4	B23	A23	PETp4
PERn4	B24	A24	PETn4
GND	B25	A25	GND
PERp5	B26	A26	PETp5
PERn5	B27	A27	PETn5
GND	B28	A28	GND
PERp6	B29	A29	PETp6
PERn6	B30	A30	PETn6
GND	B31	A31	GND
PERp7	B32	A32	PETp7
PERn7	B33	A33	PETn7
GND	B34	A34	GND



TM
IPASS IS A TRADEMARK OF MOLEX

FUNCTIONAL SYMBOLS	THIS DRAWING CONTAINS INFORMATION THAT IS PROPRIETARY TO MOLEX ELECTRONIC TECHNOLOGIES, LLC AND SHOULD NOT BE USED WITHOUT WRITTEN PERMISSION							
	DIMENSION UNITS	SCALE				CURRENT REV DESC: MIGRATED TO NX EC NO: 697045 DRWN: SKRISHNAMURT 2022/01/14 CHKD: JORTIZ02 2022/02/24 APPR: JORTIZ02 2022/02/24 INITIAL REVISION: DRWN: BREED 2004/11/16 APPR: DDOYE 2004/12/02		
	GENERAL TOLERANCES (UNLESS SPECIFIED)							
	ANGULAR TOL ± 0.5°							
DIVISIONAL SYMBOLS	4 PLACES ±	3 PLACES ±	PRODUCT CUSTOMER DRAWING					
	2 PLACES ± 0.13	1 PLACE ± 0.25	DOCUMENT NUMBER					
	0 PLACES ±		SD-74546-800					
DRAFT WHERE APPLICABLE MUST REMAIN WITHIN DIMENSIONS		THIRD ANGLE PROJECTION	DRAWING	SERIES	MATERIAL NUMBER	CUSTOMER		
			B-SIZE	74546	SEE TABLE	GENERAL MARKET		
						SHEET NUMBER		
						2 OF 4		



CABLE GAGE	24	26	28
A. CABLE DIAMETER	10.4	9.3	8.4
B. MINIMUM OUTER RADIUS	46.9	41.7	37.7
C. FACEPLATE TO OUTER RADIUS	102.2	97.0	93.0

TM
IPASS IS A TRADEMARK OF MOLEX

FUNCTIONAL SYMBOLS	THIS DRAWING CONTAINS INFORMATION THAT IS PROPRIETARY TO MOLEX ELECTRONIC TECHNOLOGIES, LLC AND SHOULD NOT BE USED WITHOUT WRITTEN PERMISSION		<p>molex</p> <p>I-PASS X8 CABLE ASSEMBLY GEN 1</p> <p>PRODUCT CUSTOMER DRAWING</p>																	
	<table border="1"> <tr> <th>DIMENSION UNITS</th> <th>SCALE</th> </tr> <tr> <td>mm</td> <td>1:1</td> </tr> </table>	DIMENSION UNITS				SCALE	mm	1:1	CURRENT REV DESC: MIGRATED TO NX		DOCUMENT NUMBER	DOC TYPE	DOC PART	REVISION						
DIMENSION UNITS	SCALE																			
mm	1:1																			
<table border="1"> <tr> <th colspan="2">GENERAL TOLERANCES (UNLESS SPECIFIED)</th> </tr> <tr> <td>ANGULAR TOL</td> <td>± 0.5°</td> </tr> <tr> <td>4 PLACES</td> <td>±</td> </tr> <tr> <td>3 PLACES</td> <td>±</td> </tr> <tr> <td>2 PLACES</td> <td>± 0.13</td> </tr> <tr> <td>1 PLACE</td> <td>± 0.25</td> </tr> <tr> <td>0 PLACES</td> <td>±</td> </tr> </table>	GENERAL TOLERANCES (UNLESS SPECIFIED)		ANGULAR TOL	± 0.5°	4 PLACES	±	3 PLACES	±	2 PLACES	± 0.13	1 PLACE	± 0.25	0 PLACES	±	EC NO: 697045 DRWN: SKRISHNAMURT 2022/01/14 CHKD: JORTIZ02 2022/02/24 APPR: JORTIZ02 2022/02/24		SD-74546-800	PSD	001	L1
GENERAL TOLERANCES (UNLESS SPECIFIED)																				
ANGULAR TOL	± 0.5°																			
4 PLACES	±																			
3 PLACES	±																			
2 PLACES	± 0.13																			
1 PLACE	± 0.25																			
0 PLACES	±																			
DIVISIONAL SYMBOLS	INITIAL REVISION: DRWN: BREED 2004/11/16 APPR: DDOYE 2004/12/02		MATERIAL NUMBER		CUSTOMER		SHEET NUMBER													
	DRAFT WHERE APPLICABLE MUST REMAIN WITHIN DIMENSIONS		THIRD ANGLE PROJECTION	DRAWING	SERIES	MATERIAL NUMBER	CUSTOMER													
				B-SIZE	74546	SEE TABLE	GENERAL MARKET													
							3 OF 4													

F

F

E

E

D

D

C

C

B

B

A

A

REV	DATE	DESCRIPTION
A	N/A	N/A
B	N/A	N/A
C	N/A	N/A
D	N/A	N/A
E	N/A	N/A
F	N/A	N/A
G	N/A	N/A
H	N/A	N/A
I	N/A	N/A
J	N/A	N/A
K	N/A	N/A
L	N/A	N/A
L1	01/27/2022	1) MIGRATED THE SLAES DRAWING TO NX 2) ADDED THE BARCODE IN THE LABEL WHICH CONTAINS PART NUMBER AND SERIAL NUMBER

THIS DRAWING CONTAINS INFORMATION THAT IS PROPRIETARY TO MOLEX ELECTRONIC TECHNOLOGIES, LLC AND SHOULD NOT BE USED WITHOUT WRITTEN PERMISSION									
FUNCTIONAL SYMBOLS	DIMENSION UNITS	SCALE	CURRENT REV DESC: MIGRATED TO NX						
	$\nabla = 0$	mm	1:1	EC NO: 697045 DRWN: SKRISHNAMURT 2022/01/14 CHKD: JORTIZ02 2022/02/24 APPR: JORTIZ02 2022/02/24 INITIAL REVISION: DRWN: BREED 2004/11/16 APPR: DDOYE 2004/12/02					
	GENERAL TOLERANCES (UNLESS SPECIFIED)								
	ANGULAR TOL $\pm 0.5^\circ$								
	4 PLACES \pm								
DIVISIONAL SYMBOLS	3 PLACES \pm		PRODUCT CUSTOMER DRAWING						
	2 PLACES ± 0.13		DOCUMENT NUMBER		DOC TYPE	DOC PART	REVISION		
	1 PLACE ± 0.25		SD-74546-800		PSD	001	L1		
	0 PLACES \pm		MATERIAL NUMBER		CUSTOMER		SHEET NUMBER		
DRAFT WHERE APPLICABLE MUST REMAIN WITHIN DIMENSIONS			THIRD ANGLE PROJECTION	DRAWING	SERIES	GENERAL MARKET		4 OF 4	
				B-SIZE	74546				