

MATERIAL NO.	ENGINEERING NO.	FINISHED LENGTH
1300080023	301000A01F030	3 FT. (0.91 M)
1300080025	301000A01F060	6 FT. (1.82 M)
1300080028	301000A01F120	12 FT. (3.66 M)
1300080033	301000A01F200	20 FT. (6.10 M)

CABLE LENGTH TOLERANCES

<.3M [1FT]: +19mm-0 [+.75in-0]

.3 - .9M [1 - 3FT]: +44.5mm-0 [+1.75in-0]

.9 - 1.8M [3 - 6FT]: +55.6mm-0 [+2.19in-0]

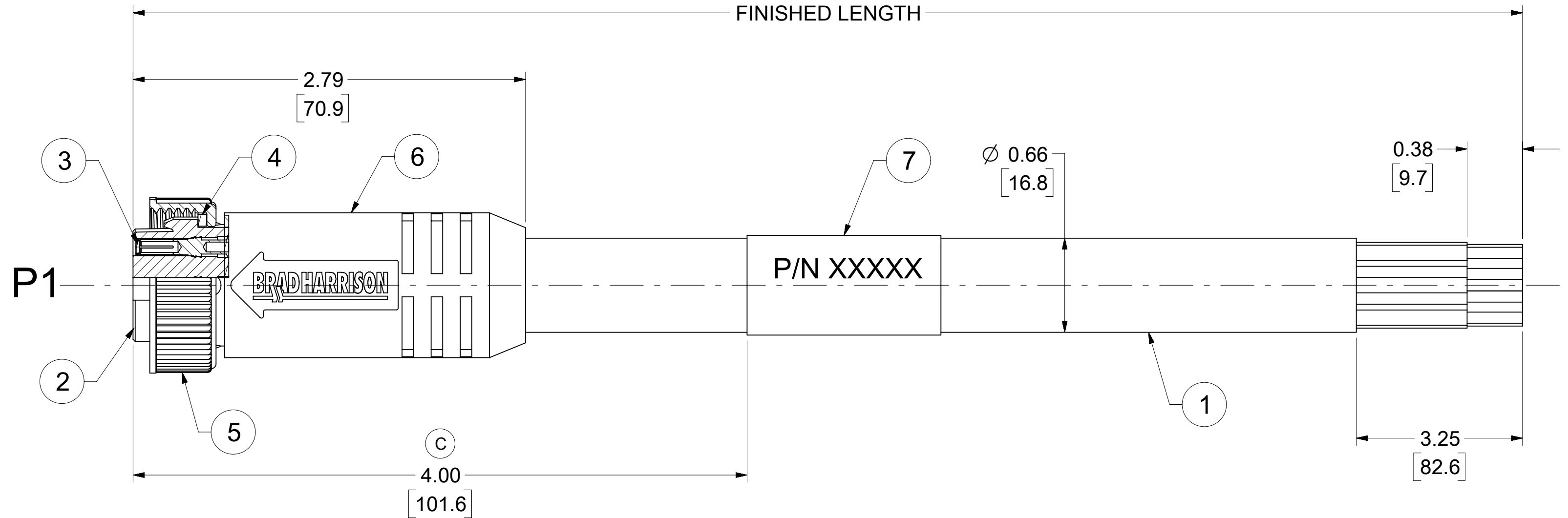
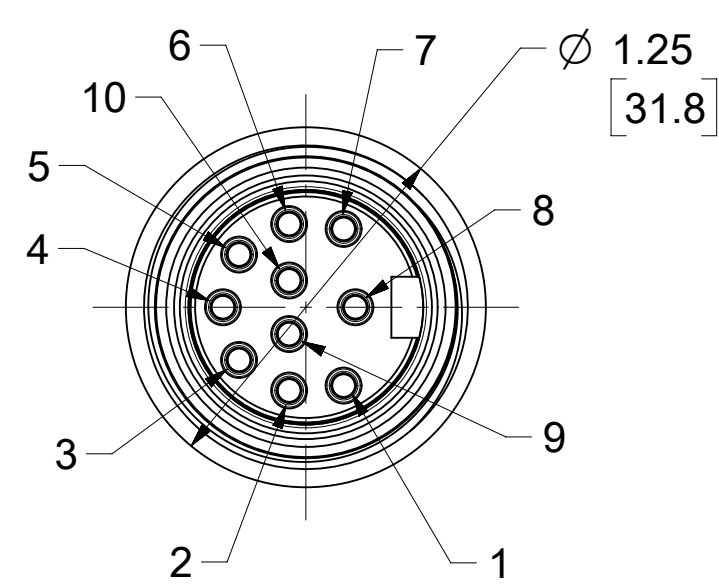
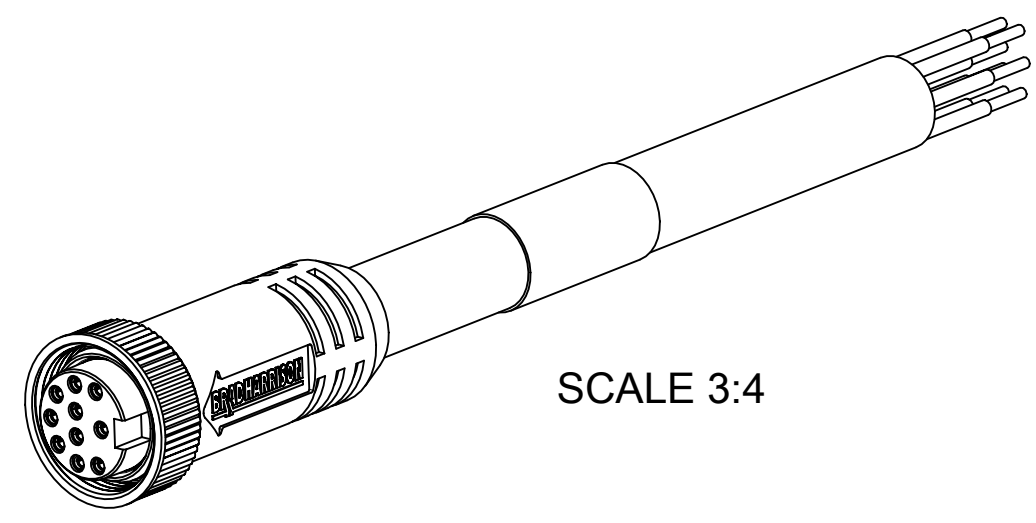
1.8 - 3.7M [6 - 12FT]: +88.9mm-0 [+3.50in-0]

3.7 - 7.3M [12 - 24FT]: +165.1mm-0 [+6.50in-0]

7.3-14.6M [24 - 48FT]: +317.5mm-0 [+12.50in-0]

14.6 - 30.5M [48-100FT]: +622.3mm-0 [+24.50in-0]

OVER 30M [100FT] +2% OF FINISHED LENGTH



- NOTES:**
- MATERIAL: AS NOTED
 - FINISH: AS NOTED
 - ELECTRICAL:
VOLTAGE: 320V PER IEC60664
600V PER UL2238
CURRENT: 7A
 - TEMP RATING: -20°C TO +105°C
 - PROTECTION: IP67 (WHEN MATED)
 - CSA CERTIFIED FILE: LR6837
 - UL RECOGNIZED FILE: E152210
 - COUPLING THREAD: 1 1/8"-16UN
 - ASSEMBLY IS ROHS COMPLIANT
 - ALL DIMS ARE FOR REFERENCE UNLESS TOLERANCED OR NOTED OTHERWISE

WIRING DIAGRAM

P1	Color
1	ORANGE
2	BLUE
3	WHITE/BLACK TRACE
4	RED/BLACK TRACE
5	GREEN/BLACK TRACE
6	ORANGE/BLACK TRACE
7	RED
8	GREEN/YELLOW
9	BLACK
10	WHITE

PART NUMBER MATRIX

301000A01F030

FINISHED LENGTH
F001= .1 FT
F020= 2 FT
F200= 20 FT

7	LABEL	VINYL	BLACK/YELLOW
6	OVERMOLD	TPE	YELLOW
5	COUPLING NUT	ZINC DIE CAST	BLACK E-COAT
4	FRICTION RING	NYLON	NATURAL
3	SOCKET CONTACT	Cu ALLOY	GOLD OVER NICKEL
2	FEMALE INSERT	TPE	YELLOW
1	#16-10 CABLE, STOOV/ST	PVC JACKET	YELLOW
ITEM	DESCRIPTION	MATERIAL	FINISH

THIS DRAWING CONTAINS INFORMATION THAT IS PROPRIETARY TO MOLEX ELECTRONIC TECHNOLOGIES, LLC AND SHOULD NOT BE USED WITHOUT WRITTEN PERMISSION

DIMENSION UNITS	SCALE	CURRENT REV DESC: UPDATED ITEM #2,6,7, LABEL DIM. AND MATERIAL P/N TABLE. ADDED CSA, UL, IEC VOLT, TEMP RATING, IP RATING, TOL. CHART AND PART NUMBER MATRIX.	molex		
INCH/MM	1.5:1				
GENERAL TOLERANCES (UNLESS SPECIFIED)		EC NO: 673727	MINI-CHANGE CORDSET, C SIZE 10 POLE, FEMALE, STRAIGHT, SINGLE KEY, 16AWG		
4 PLACES	±	DRWN: AKABADI	PRODUCT CUSTOMER DRAWING		
3 PLACES	±	CHK'D: RSTONE	DOCUMENT NUMBER		
2 PLACES	±	APPR: BWOODMAN	DOC TYPE DOC PART REVISION		
1 PLACE	±	INITIAL REVISION:	SD-130008-013		
0 PLACES	±	DRWN: BRUPERT	PSD 001 C		
ANGULAR TOL	± 0.5 °	APPR: JFMURPHY	MATERIAL NUMBER		
DRAFT WHERE APPLICABLE MUST REMAIN WITHIN DIMENSIONS		THIRD ANGLE PROJECTION	DRAWING	SERIES	CUSTOMER
			C-SIZE	130008	GENERAL MARKET
					SHEET NUMBER
					1 OF 1