

参考基板レイアウト (マウント面)  
 RECOMMENDED P.C.BOARD  
 PATTERN DIMENSION. (REF.)  
 (MOUNTING AREA)

- 補強金具 : 錫メッキ  
 FITTING NAIL : TIN 1.0 MICROMETER MINIMUM  
 補強金具下地メッキ : ニッケルメッキ  
 UNDER PLATING : NICKEL (FITTING NAIL)  
 1.0 MICROMETER MINIMUM
- △ (全極数/2) = 偶数の場合に適用。  
 APPLY FOR (CIRCUIT/2)=EVEN.  
 4 嵌合相手 : 53949 シリーズ  
 MATE WITH : 53949 SERIES.  
 5 テール及びネールの平坦度は、0.1MAX.  
 TAIL AND NAIL COPLANARITY TO BE 0.1MAX.  
 △ テール部に適用。  
 APPLY TO THE TAIL AREA.  
 △ ネール部に適用。  
 APPLY TO THE NAIL AREA.  
 8 本製品は 54150-\*\*\*I の鉛フリー品である。  
 THIS PRODUCT IS LEAD FREE OF 54150-\*\*\*I.  
 9. ELV及びRoHS適合品。  
 ELV AND RoHS COMPLIANT.

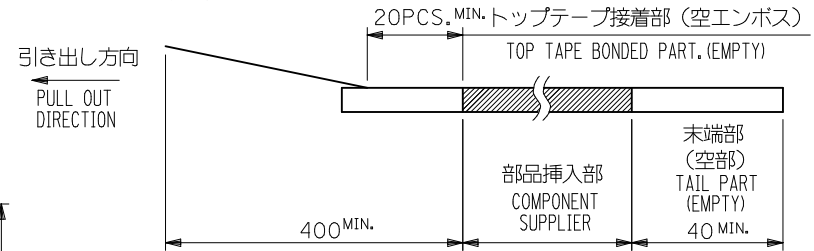
注記 NOTES:  
 1 使用材料 MATERIAL  
 ハウジング : LCP ガラス充填 UL94V-0 (黒)  
 HOUSING : LCP (GLASS FILLED) UL94V-0 (COLOR:BLACK)  
 ターミナル : リン青銅 (t=0.15)  
 TERMINAL : PHOSPHOR BRONZE (t=0.15)  
 補強金具 : リン青銅 (t=0.2)  
 FITTING NAIL : PHOSPHOR BRONZE (t=0.2)  
 2 メッキ仕様 PLATING  
 コンタクト部 : 金メッキ  
 CONTACT AREA : GOLD  
 テール部 : 金メッキ  
 TAIL AREA : GOLD  
 0.25 MICROMETER MINIMUM  
 0.4 MICROMETER MAXIMUM  
 ターミナル部下地メッキ : ニッケルメッキ  
 UNDER PLATING : NICKEL (TERMINAL AREA)  
 1.5 MICROMETER MINIMUM

20.5	19.5	23.9	54150-0878	80
C	B	A	EMBOSSED TAPE	CIRCUIT
			ORDER No. オーダー番号	
CONNECTOR No. 54150-**71				

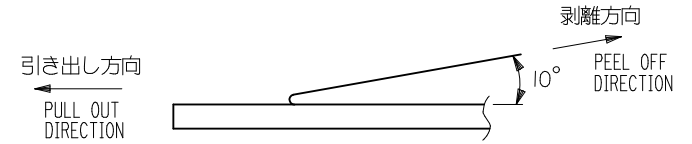
REVISED EC NO. J2010-1976 DRWN: MWABEI 2008/07/10 CHKD: MATSUMOTO 2010/06/17 APPR: HIRATA 2010/06/18	GENERAL TOLERANCES (UNLESS SPECIFIED)		DIMENSION STYLE MM ONLY		SCALE ---	DESIGN UNITS METRIC	THIRD ANGLE PROJECTION	
	10 UNDER	±0.2	DRAWN BY H. KAWABATA	DATE '04/03/03	TITLE 0.5 B-TO-B REC HSG ASSY WITH FITTING NAIL			
	10 OVER 30 UNDER	±0.25	CHECKED BY K. TOJO	DATE '04/03/03	MOLEX INCORPORATED			
	30 OVER	±0.3	APPROVED BY M. SASAO	DATE '04/03/03	DOCUMENT NO. SD-54150-001			
A	ANGULAR ±3 °	DRAFT WHERE APPLICABLE MUST REMAIN WITHIN DIMENSIONS		MATERIAL NO. SEE TABLE		SHEET NO. 1 OF 1		
				SIZE A3	THIS DRAWING CONTAINS INFORMATION THAT IS PROPRIETARY TO MOLEX INCORPORATED AND SHOULD NOT BE USED WITHOUT WRITTEN PERMISSION			

NOTES

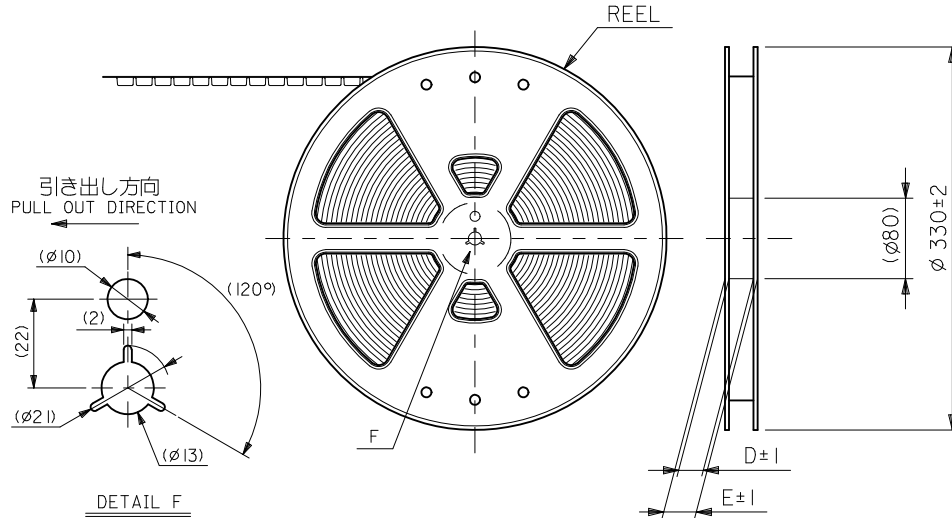
- 製品詳細寸法については図面 SD-54150-001 を参照下さい。  
RE DETAILED DIMENSION, SEE SD-54150-001.
- 梱包数量：3000個/リール  
NUMBER OF CONNECTORS : 3000PCS/REEL
- リードテープ長さ LEAD TAPE LENGTH



- トップテープの剥離強度：0.1～1.3N {10～130gf}  
(剥離方向は下図参照)  
尚、本規格値は出荷時に適用。(但し、輸送時に剥離が発生しないこと。)  
PEELING OFF FORCE OF TOP TAPE : 0.1～1.3N {10～130gf}  
(PEELING DIRECTION AS SHOWN IN FOLLOWING FIG.)  
THIS REQUIREMENT SHOULD BE APPLIED AT SHIPMENT.  
PEEL OFF SHOULD NOT BE ALLOWED , DURING TRANSPORTATION.

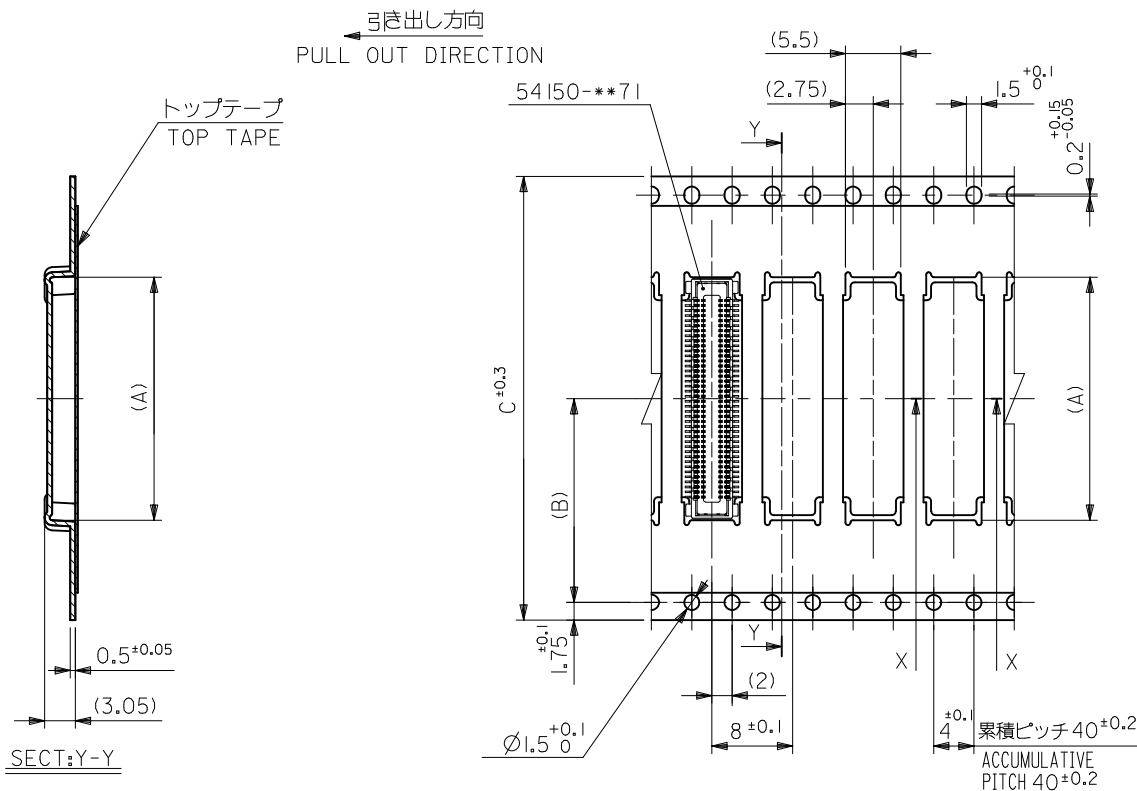


- 材料 (MATERIAL)  
キャリアテープ (CARRIER TAPE) : ポリプロピレン (POLYPROPYLENE (PP))  
トップテープ (TOP TAPE) : PET, PE, PEF  
リール (REEL) : ポリスチレン (P.S) (POLYSTYRENE (PS))  
リサイクル材を含む (RECYCLE MATERIAL CONTAINED)
- 本製品は 54150-\*\*\*8 の鉛フリー品である。  
THIS PRODUCT IS LEAD FREE OF 54150-\*\*\*8.



MODEL NO. 54150-\*\*\*78

REVISED EC NO: J2010-1271 DRWN: ASUZUKI 2010/05/24 CHKD: HIRATA 2010/05/24 APPR: HIRATA 2010/06/16	GENERAL TOLERANCES (UNLESS SPECIFIED)		DIMENSION STYLE MM ONLY		SCALE ---	DESIGN UNITS METRIC	THIRD ANGLE PROJECTION		
	10 UNDER	± ---	DRAWN BY	DATE	TITLE 0.5 B-TO-B CONN REC HSG ASSY W/ NAIL EMBSTP PKG				
	10 OVER 30 UNDER	± ---	CHECKED BY	DATE					
	30 OVER	± ---	APPROVED BY	DATE					
	ANGULAR ± --- °		MATERIAL NO.		DOCUMENT NO.		SHEET NO.		
DRAFT WHERE APPLICABLE MUST REMAIN WITHIN DIMENSIONS		SEE TABLE		SD-54150-002		1 OF 2			
A	THIS DRAWING CONTAINS INFORMATION THAT IS PROPRIETARY TO MOLEX INCORPORATED AND SHOULD NOT BE USED WITHOUT WRITTEN PERMISSION								



44mm幅キャリアテープ  
44mm WIDTH CARRIER TAPE

54150-***78	44	49.4	45.4	44	20.2	24.1	54150-0878	80
MODEL NO.	キャリアテープ幅 CARRIER TAPE WIDTH	E	D	C	(B)	(A)	MATERIAL NO.	極数 CIRCUIT

REVISED EC NO: J2010-1271 DRWN: ASUZUKI 2010/06/02 CHKD: HIRATA 2010/06/02 APPR: HIRATA 2010/06/16	GENERAL TOLERANCES (UNLESS SPECIFIED)		DIMENSION STYLE MM ONLY		SCALE ---	DESIGN UNITS METRIC		THIRD ANGLE PROJECTION
	10 UNDER	±---	DRAWN BY _____ DATE _____		TITLE 0.5 B TO B CONN REC HSG ASSY W/ NAIL EMBSTP PKG			
	10 OVER 30 UNDER	±---	CHECKED BY _____ DATE _____					
	30 OVER	±---	APPROVED BY _____ DATE _____					
ANGULAR ±--- °		MATERIAL NO.		DOCUMENT NO.		SHEET NO.		
DRAFT WHERE APPLICABLE MUST REMAIN WITHIN DIMENSIONS		SEE TABLE		SD-54150-002		2 OF 2		
SIZE A3		THIS DRAWING CONTAINS INFORMATION THAT IS PROPRIETARY TO MOLEX INCORPORATED AND SHOULD NOT BE USED WITHOUT WRITTEN PERMISSION						