

61810-2 ✓ ACTIVE

FASTON | FASTON 250

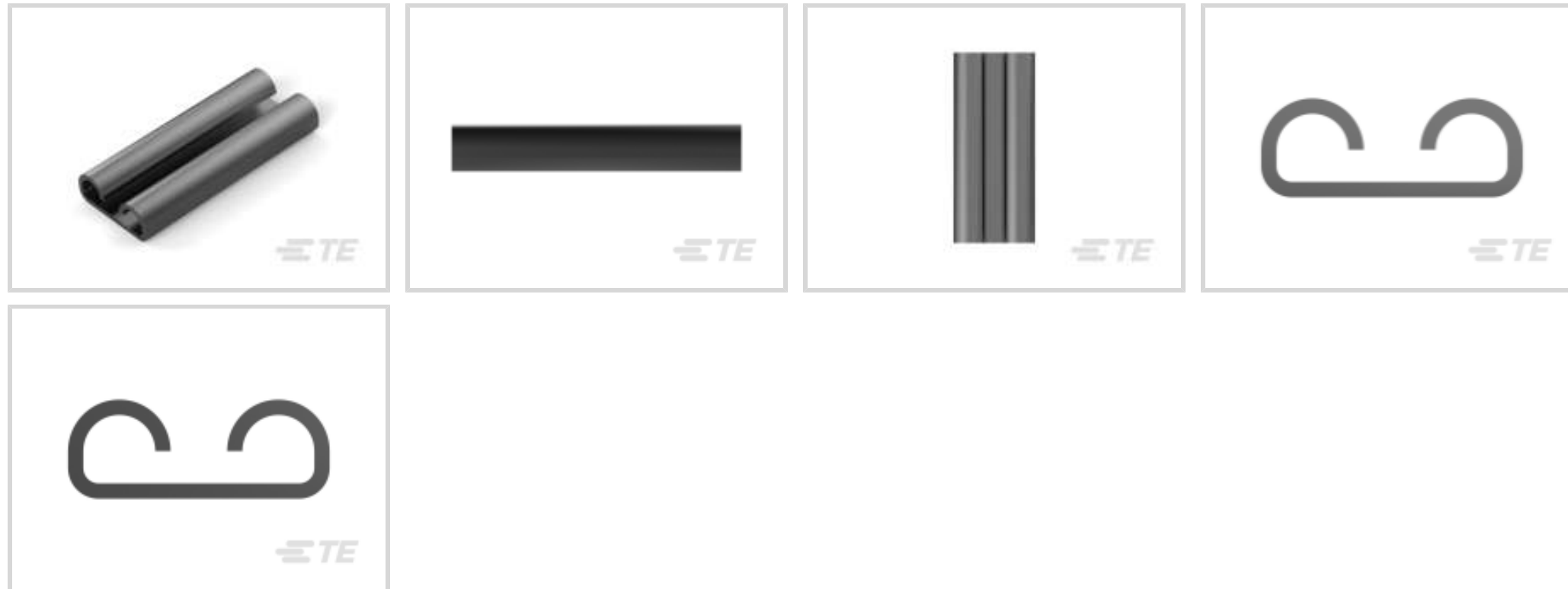
TE Internal #: 61810-2

Quick Disconnects, Receptacle, Mating Tab Width 6.35 mm [.25 in],
Straight, Brass, Tin Plating, Loose Piece/Carton, F-Crimp, Open,
FASTON 250

[View on TE.com >](#)



Terminals & Splices > Quick Disconnects



Quick Disconnect Terminal Type: **Receptacle**

Mating Tab Width: **6.35 mm [.25 in]**

Mating Tab Thickness: **.81 mm [.032 in]**

Terminal Orientation: **Straight**

Contact Base Material: **Brass**

Features

Product Type Features

Insertion Force	Normal
-----------------	--------

Configuration Features

Connection Capacity	Single
Compatible With Wire & Cable Type	Discrete Wire

Contact Features

Quick Disconnect Terminal Type	Receptacle
Mating Tab Width	6.35 mm[.25 in]
Mating Tab Thickness	.81 mm[.032 in]
Terminal Orientation	Straight
Contact Base Material	Brass
Terminal Plating Material	Tin
Crimp Type	F-Crimp
Barrel Type	Open

Termination Features



Product Terminates To	Wire & Cable
-----------------------	--------------

Mechanical Attachment

Wire Insulation Support	Without
Mating Retention Type	Dimple

Dimensions

Terminal Material Thickness	.33 mm[.013 in]
Product Length	17.78 mm[.7 in]

Usage Conditions

Insulation Option	Uninsulated
Operating Temperature Range	-40 – 110 °C[-40 – 230 °F]

Industry Standards

Agency/Standard	UL
-----------------	----

Packaging Features

Packaging Quantity	1000
Packaging Method	Loose Piece/Carton

Product Compliance

[For compliance documentation, visit the product page on TE.com>](#)

EU RoHS Directive 2011/65/EU	Compliant
EU ELV Directive 2000/53/EC	Compliant
China RoHS 2 Directive MIIT Order No 32, 2016	No Restricted Materials Above Threshold
EU REACH Regulation (EC) No. 1907/2006	Current ECHA Candidate List: JUNE 2023 (235) Candidate List Declared Against: JAN 2023 (233) Does not contain REACH SVHC
Halogen Content	Low Halogen - Br, Cl, F, I < 900 ppm per homogenous material. Also BFR/CFR/PVC Free
Solder Process Capability	Not applicable for solder process capability

Product Compliance Disclaimer

This information is provided based on reasonable inquiry of our suppliers and represents our current actual knowledge based on the information they provided. This information is subject to change. The part numbers that TE has identified as EU RoHS compliant have a maximum concentration of 0.1% by weight in homogenous materials for lead, hexavalent chromium, mercury, PBB, PBDE, DBP, BBP, DEHP, DIBP, and 0.01% for cadmium, or qualify for an exemption to these limits as defined in the Annexes of Directive 2011/65/EU (RoHS2). Finished electrical and electronic equipment products

will be CE marked as required by Directive 2011/65/EU. Components may not be CE marked. Additionally, the part numbers that TE has identified as EU ELV compliant have a maximum concentration of 0.1% by weight in homogenous materials for lead, hexavalent chromium, and mercury, and 0.01% for cadmium, or qualify for an exemption to these limits as defined in the Annexes of Directive 2000/53/EC (ELV). Regarding the REACH Regulation, the information TE provides on SVHC in articles for this part number is based on the latest European Chemicals Agency (ECHA) 'Guidance on requirements for substances in articles' posted at this URL: <https://echa.europa.eu/guidance-documents/guidance-on-reach>

Compatible Parts



Also in the Series | **FASTON 250**



Compression Connectors(4)



Crimp Terminal Housings(142)



Insertion & Extraction Tools(6)



Magnet Wire Terminals(1)



PCB Terminals(135)



Quick Disconnects(445)



Splices(4)

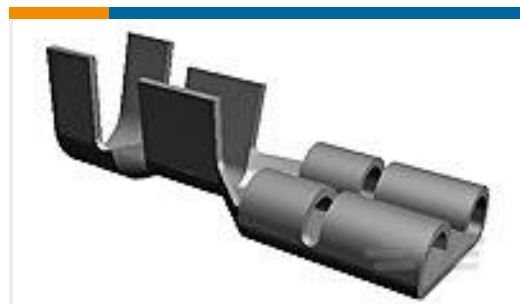
Customers Also Bought



TE Part #2-6609006-2
3EJT1-F8134



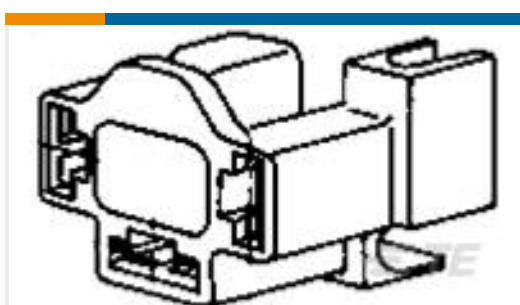
TE Part #1-640388-1
11P MTA156 HDR ASSY RN STR F/L



TE Part #63475-1
187 FASTON REC 20-16 AWG BR



TE Part #41711
RING TERMINAL 22-18 AWG TPBR



TE Part #180913
FF 250 REC HSG 3P NYLON NAT



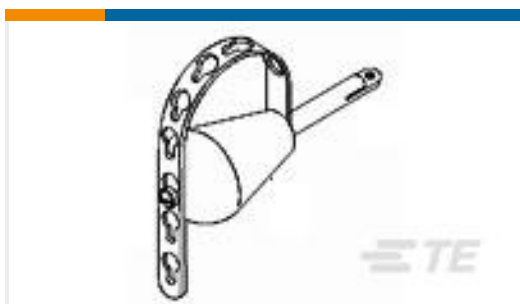
TE Part #2-520405-2
ULTRA-FAST 250 ASY REC 22-18 TPBR



TE Part #172890-5
5P 2MM MINI AMP-IN HDR HSG



TE Part #172890-6
6P 2MM MINI AMP-IN HDR HSG



TE Part #465629-1
UNIV INSERTION TL (W/O TIPS)



TE Part #465468-1
INSERTION TOOL TIP

Documents



Product Drawings

FASTON .250 (6.3 MM) RECEPTACLE TPBR

English

CAD Files

Customer View Model

[ENG_CVM_CVM_61810-2_P.2d_dxf.zip](#)

English

3D PDF

3D

Customer View Model

[ENG_CVM_CVM_61810-2_P.3d_igs.zip](#)

English

Customer View Model

[ENG_CVM_CVM_61810-2_P.3d_stp.zip](#)

English

By downloading the CAD file I accept and agree to the [Terms and Conditions](#) of use.

Datasheets & Catalog Pages

FASTON Tabs

English

Product Specifications

Application Specification

English

Wire Preparation And Crimp Inspection Guide

English

Product Environmental Compliance

TE Material Declaration

English

Agency Approvals

CSA Certificate

English

CSA Certificate

English