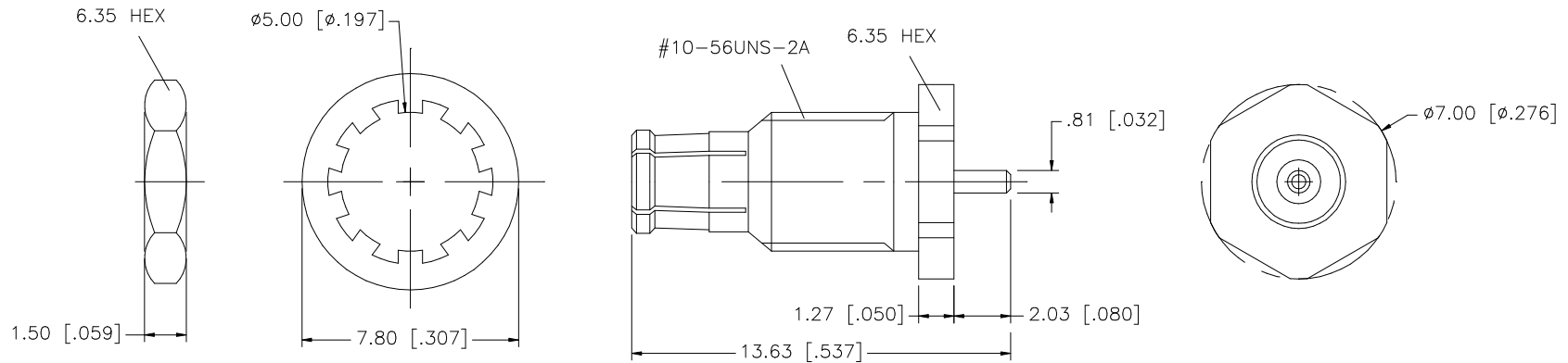


REV.	DATE	DESCRIPTION
A	04/31/03	UPDATE DRAWING FORMAT



NOTE:  
1. MAX. PANEL THICKNESS = 3mm

QTY	DESCRIPTION	MATERIAL	FINISH	QTY	UNLESS OTHERWISE SPECIFIED DIMENSIONS ARE IN MILLIMETERS. DIMENSIONS IN [ ] ARE IN INCHES AND FOR CUSTOMER REFERENCE ONLY.	APPROVALS	DATE	Amphenol Connex			
8					UNLESS OTHERWISE SPECIFIED TOLERANCES FOR MILLIMETERS ARE: 0.5 - 8mm ± 0.20mm 8 - 30mm ± 0.40mm 30 - 120mm ± 0.50mm  UNLESS OTHERWISE SPECIFIED TOLERANCES FOR INCHES ARE: .020 - .315 = ± 0.007" .315 - 1.180 = ± 0.015" 1.180 - 4.724 = ± 0.020"	DRAWN	G.R.S.	04/31/03	PART DESCRIPTION		
7				CHECKED				MCX BULKHEAD PLUG RECEPTACLE			
6						ISSUED					
5	HEX NUT	BRASS	GOLD	1		SHEET	1 OF 1		252173		
4	LOCK WASHER	BRASS	GOLD	1				DWG. NO. 252173.DWG			
3	CONTACT PIN	BRASS	GOLD	1							REV. A
2	INSULATOR	TEFLON	NATURAL	1				SIZE A			
1	BODY	BER. COPPER	GOLD	1							SCALE NA
	DESCRIPTION	MATERIAL	FINISH	QTY	DO NOT SCALE DRAWING	CAD FILE C:/252/252173.DWG					