

NOTES:

1. MATERIALS AND FINISHES:

- FERRULE - SEAMLESS COPPER, NICKEL PLATING
- BODY & COUPLING NUT - BRASS, NICKEL PLATING
- CONTACT - BRASS, GOLD PLATING
- INSULATOR - PTFE, NATURAL
- GASKET - SILICONE RUBBER, RED
- RING - DELRIN, NATURAL
- DISC INSULATOR - PTFE, NATURAL

2. ELECTRICAL:

- A. IMPEDANCE: 50 OHM
- B. FREQUENCY RANGE: DC - 6 GHz
- C. DIELECTRIC WITHSTANDING VOLTAGE: 1000 VRMS, MIN.

3. MECHANICAL:

- A. DURABILITY: 500 CYCLES MIN.
- B. TEMPERATURE RANGE: -40° C TO +85° C

4. PACKAGING:

- A. QUANTITY: SINGLE PACK
- B. MARKING: BAG TO BE MARKED "AMPHENOL RF, 31-6826, AND DATE CODE"

5. CABLE ASSEMBLY INSTRUCTIONS:

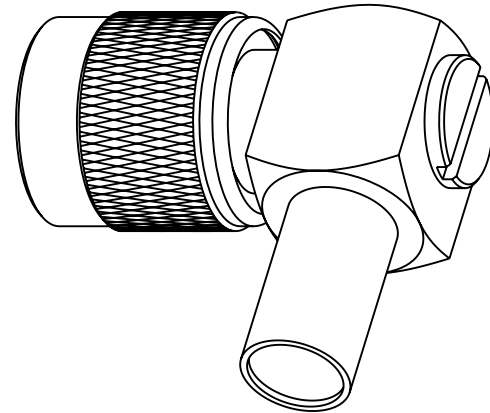
- A. TRIM CABLE AS SHOWN.
- B. SLIDE FERRULE ONTO CABLE.
- C. SLIDE DISC INSULATOR OVER CENTER CONDUCTOR.
- D. INSERT CABLE WITH FOIL ENTERING CONNECTOR AND BRAID OVER KNURL.
- E. SOLDER CABLE CENTER CONDUCTOR TO CONTACT.
- F. CRIMP FERRULE OVER BRAID WITH .255" HEX DIE.

6. CAP ASSEMBLY INSTRUCTIONS:

- A. ASSEMBLE CAP TO BODY WITH 6-10 IN-LBS TORQUE.

7. RECOMMENDED COUPLING TORQUE : 4-6 IN-LBS.

8. SHOWS CABLE ENTRY DIMENSIONS.

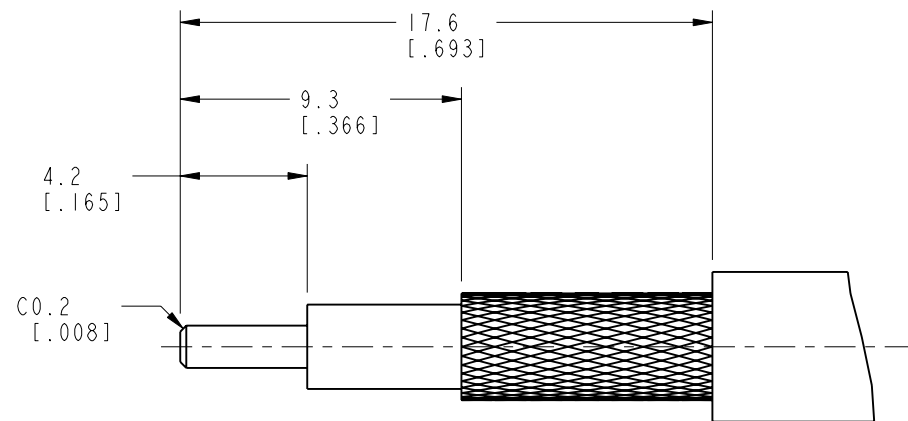
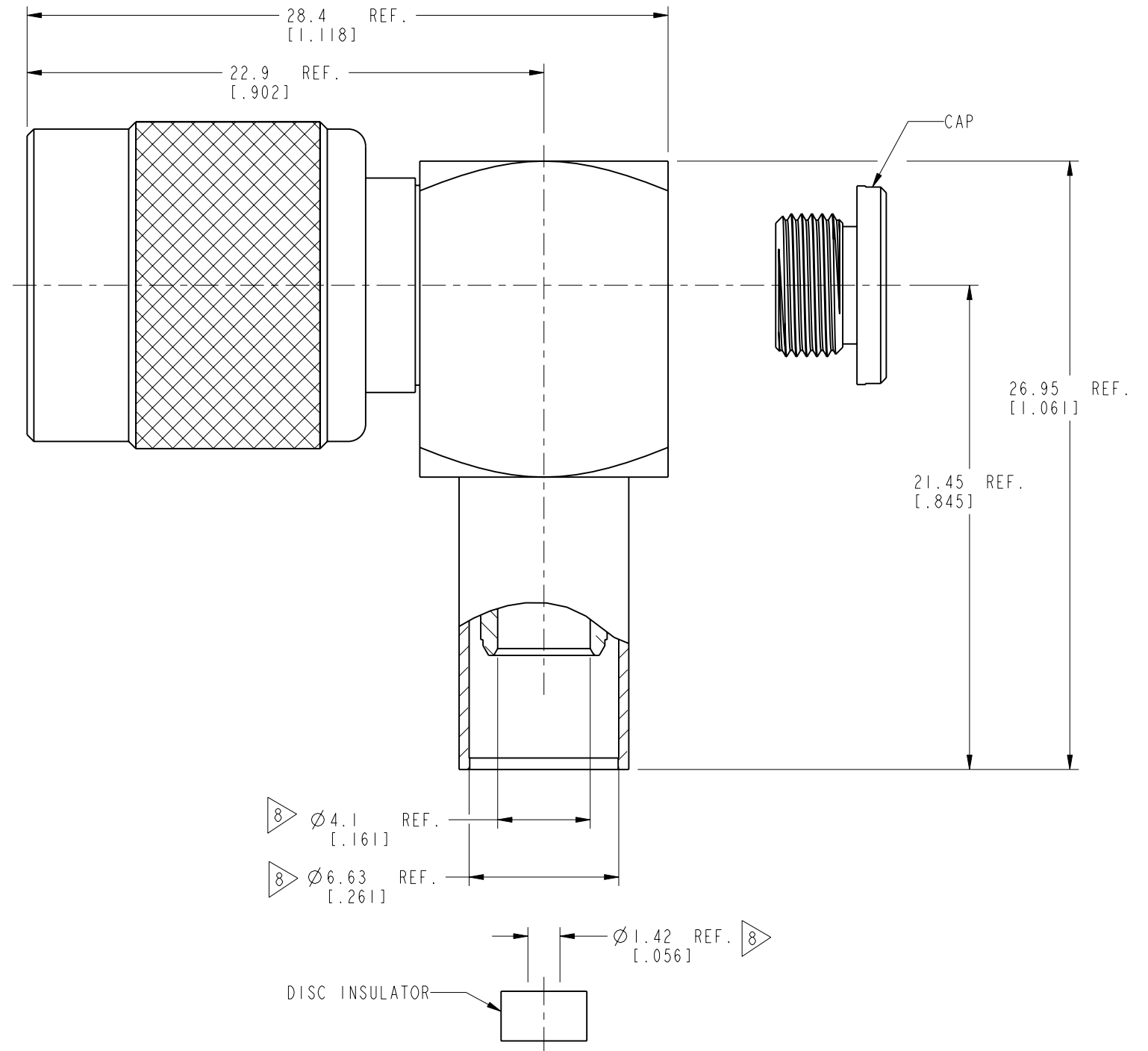


SCALE 2.000

THIRD ANGLE PROJ.

REVISIONS

REV	DESCRIPTION	DATE	ECO	APPR
A				



RECOMMENDED CABLE STRIPPING DIM'S

CUSTOMER OUTLINE DRAWING

ALL OTHER SHEETS ARE FOR INTERNAL USE ONLY

UNLESS OTHERWISE SPECIFIED, DIMENSIONS ARE IN METRIC AND TOLERANCES ARE:
 < 0.5mm ± 0.05mm 0.5 - 6mm ± 0.1mm 6 - 30mm ± 0.2mm 30 - 120mm ± 0.3mm ANGLES ± 1°

NOTICE - These drawings, specifications, or other data (1) are, and remain the property of Amphenol corp. (2) must be returned upon request; and (3) are confidential and not to be disclosed to any person other than those to whom they are given by Amphenol Corp. the furnishing of these drawings, specifications, or other data by Amphenol Corp., or to any other person to anyone for any purpose is not to be regarded by implication or otherwise in any manner licensing, granting rights to permitting such holder or any other person to manufacture, use or sell any product, process or design, patented or otherwise, that may in any way be related to or disclosed by said drawings, specifications, or other data.

MATERIAL SEE NOTES	DRAWN M. ZHANG	DATE 23-May-18
REFERENCE EAR# 8049 AND ---	ENGINEER K. ELMES	DATE 21-May-18
CONFIGURATION LEVEL: In Work	APPROVED S. HSIEH	DATE 24-May-18
FINISH	CAD FILE	

TITLE TNC R/A PLUG FOR LMR-240-UF
SCALE: 4.0:1.0 SHEET 2 OF 2
DWG SIZE B
REV A

Amphenol RF
www.amphenolrf.com
DRAWING NO. 31-6826
ITEM NO. 31-6826
PART NO. 31-6826