

NOTES:

1. MATERIALS AND FINISHES (IN MICRO-INCHES):

- BODY = ZINC DIECAST PER ASTM-B86, GOLD PL. 3 MIN. THICK OVER NICKEL PL. 100 MIN. THICK OVER COPPER PL. 300 MIN. THICK
- CONTACT = BRASS PER ASTM B16, GOLD PL. 30 MIN. THICK OVER NICKEL PL. 100 MIN. THICK OVER COPPER STRIKE
- INSULATOR = PTFE PER ASTM D1710, COLOR: NATURAL.
- FAKRA HOUSING = NYLON 46, 30% GLASS FILLED, COLOR & KEYING PER DIN 72594-1 (SEE TABLE FOR KEY CODES & COLORS)

2. ELECTRICAL:

- A. IMPEDANCE: 50 OHM NOMINAL
- B. FREQUENCY RANGE: DC- 6 GHz (OPTIMIZED FOR DC-4 GHz)
- C. VSWR(RETURN LOSS): 1.4(-15.6 dB), MAX.(DC-2 GHz)
(MATED PAIR) 1.5(-13.9 dB), MAX.(2-3 GHz)
- D. D.W.V.: 800 VRMS, MIN.

3. MECHANICAL:

- A. DURABILITY: 100 CYCLES MIN.
- B. TEMPERATURE RANGE: -40° C TO 100° C
- C. HOUSING RETENTION: 110N MIN. AXIAL

4. PACKAGING:

- A. TYPE: TAPE & REEL
- B. QUANTITY: 500/REEL
- C. PACKAGING MARKING: AMPHENOL RF
2FA1-WXSP-PCBA3
DATE CODE

5.  CENTER OF GRAVITY

6. INTERFACE DIMENSIONS MEET DIN 72594-1 AND USCAR-18.

CONFIGURATION CONTROL:
NO CHANGES PERMITTED TO DRAWING WITHOUT
PPAP QUALIFIED CUSTOMER APPROVAL

CODING	PART NUMBER & DRAWING NUMBER	COLOR	RAL NO.
A	2FA1-WASP-PCBA3	JET BLACK	9005
B	2FA1-WBSP-PCBA3	CREAM	9001
C	2FA1-WCSP-PCBA3	SIGNAL BLUE	5005
D	2FA1-WDSP-PCBA3	CLARET VIOLET	4004
E	2FA1-WESP-PCBA3	LEAF GREEN	6002
F	2FA1-WFSP-PCBA3	NUT BROWN	8011
G	2FA1-WGSP-PCBA3	BLUE GREY	7031
H	2FA1-WHSP-PCBA3	HEATHER VIOLET	4003
I	2FA1-WISP-PCBA3	BEIGE	1001
K	2FA1-WKSP-PCBA3	CURRY	1027
L	2FA1-WLSP-PCBA3	CARMINE RED	3002
M	2FA1-WMSP-PCBA3	PASTEL ORANGE	2003
N	2FA1-WNSP-PCBA3	PASTEL GREEN	6019
Z	2FA1-WZSP-PCBA3	WATER BLUE	5021

UNLESS OTHERWISE SPECIFIED, DIMENSIONS ARE IN METRIC AND TOLERANCES ARE:
 0.5 - 6mm ±0.1mm 6 - 30mm ±0.2mm 30 - 120mm ±0.3mm ANGLES ±1°

NOTICE - These drawings, specifications, or other data (1) are, and remain the property of Amphenol corp. (2) must be returned upon request; and (3) are confidential and not to be disclosed to any person other than those to whom they are given by Amphenol Corp. the furnishing of these drawings, specifications, or other data by Amphenol Corp., or to any other person to anyone for any purpose is not to be regarded by implication or otherwise in any manner licensing, granting rights to permitting such holder or any other person to manufacture, use or sell any product, process or design, patented or otherwise, that may in any way be related to or disclosed by said drawings, specifications, or other data.

MATERIAL SEE NOTES	DRAWN SHANMUGA	DATE 06-Feb-09
REFERENCE EAR #3364 AND 2FA1-WXSP-PCB-12	ENGINEER B.C. GLEISSNER	DATE 06-Feb-09
CONFIGURATION LEVEL: Prototype	APPROVED K. CAPOZZI	DATE 7/9/09
FINISH	CAD FILE I:\FAKRA\2FA1-WXSP-PCBA3	

TITLE FAKRA PLUG, PIN & PASTE	SCALE: 5.0:1.0	SHEET 2 OF 2
DWG SIZE B	CODE ID 74868	REV A

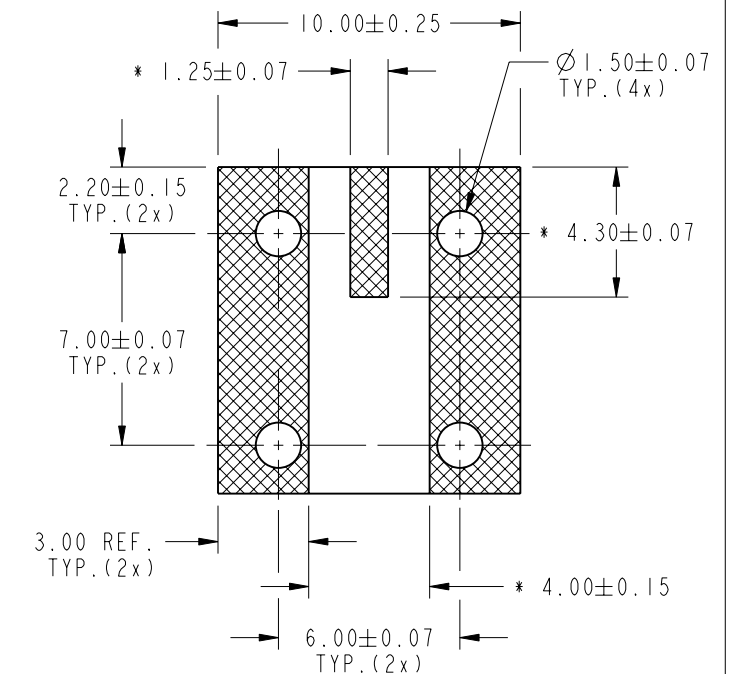
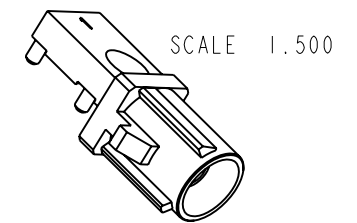
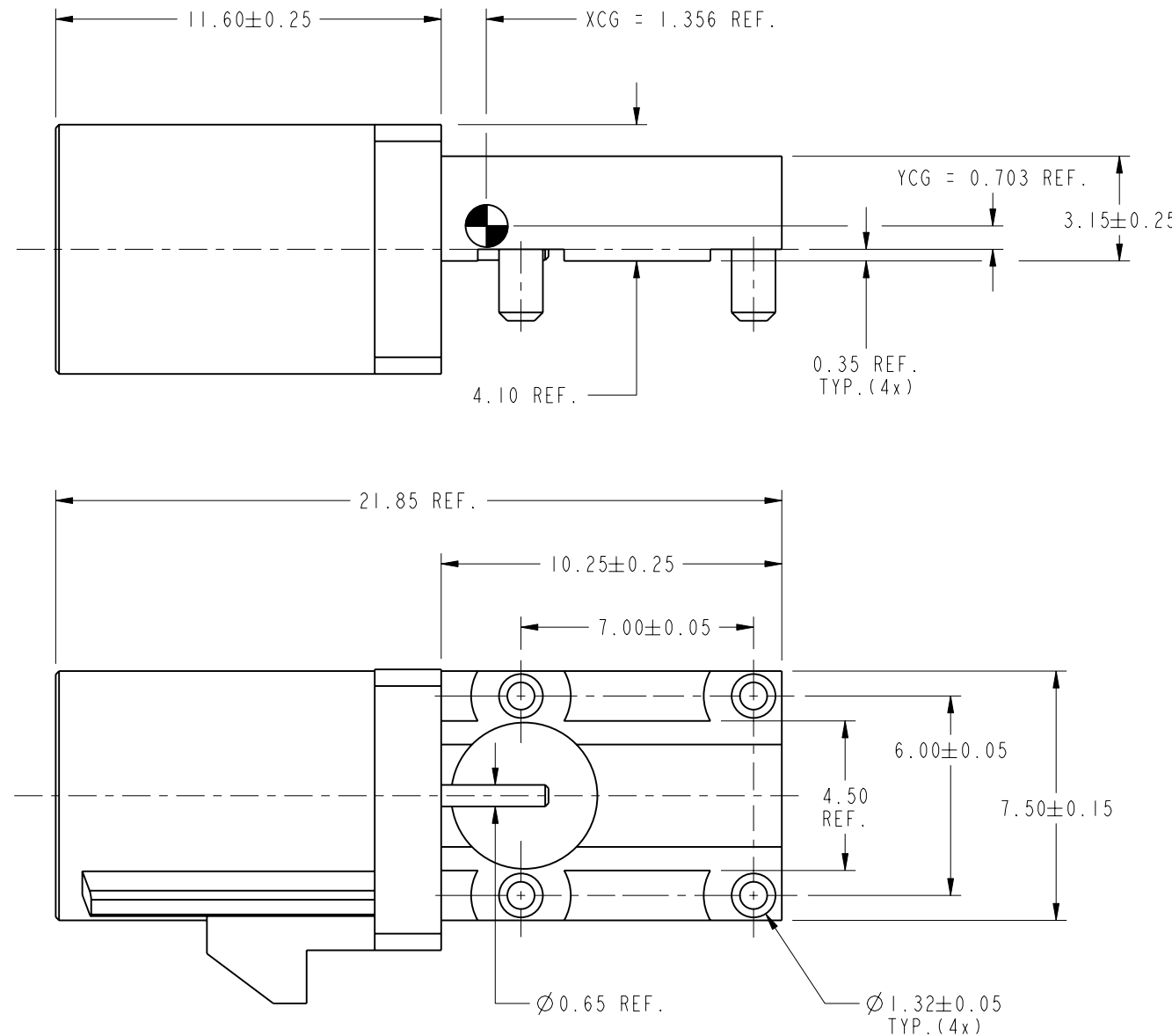
DRAWING NO. 2FA1-WXSP-PCBA3		
ITEM NO. 2FA1-WXSP-PCBA3		
PART NO. 2FA1-WXSP-PCBA3		

Amphenol RF Danbury CT USA, Tainan, Taiwan, Shenzhen, China www.amphenolrf.com		
---	--	--

THIRD ANGLE PROJ. 

REVISIONS

REV	DESCRIPTION	DATE	ECO	APPR
A	RELEASE TO MFG.	02-Apr-10	47676	SH



RECOMMENDED PCB LAYOUT
* ADJUSTABLE FOR RF PERFORMANCE

CUSTOMER OUTLINE DRAWING
ALL OTHER SHEETS ARE FOR INTERNAL USE ONLY