

TPS61087EVM

This user's guide describes the characteristics, operation, and use of the TPS61087EVM evaluation module (EVM). This EVM contains the Texas Instruments 650-kHz/1.2-MHz, 18.5-V step-up DC-DC converter TPS61087. The user's guide includes EVM specifications, recommended test setup, the schematic diagram, bill of materials, and the board layout. Project collateral discussed in this user's guide can be downloaded from the following URL: <http://www.ti.com/lit/zip/SLVU230>.

Contents

1	Introduction	1
2	Setup and Test Results	2
3	Schematic, Bill of Materials, and Board Layout	4

List of Figures

1	TPS61087EVM Schematic	4
2	Top Assembly Layer	5
3	Top Layer Routing	6
4	Bottom Layer Routing	7

List of Tables

1	Performance Specification Summary	1
2	Recommended Compensation Network Values at High/Low Frequency	3
3	HPA317A Bill of Materials	4

1 Introduction

This section contains background information for the TPS61087EVM evaluation module.

1.1 Background

This TPS61087EVM uses a TPS61087 boost converter to step up 2.5-V to 6-V input voltages to 15 V. The goal of the EVM is to facilitate evaluation of the TPS61087 power supply solution. The EVM uses the TPS61087 adjustable output boost converter and the appropriate feedback components to provide 15 V.

1.2 Performance Specification Summary

Table 1 provides a summary of the TPS61087EVM performance specifications. All specifications are given for an ambient temperature of 25°C.

Table 1. Performance Specification Summary

SPECIFICATION	TEST CONDITIONS	MIN	TYP	MAX	UNIT
V_{IN}		2.5		6	V
$V_{OUT}^{(1)}$	TPS61087EVM, $V_{IN} = 5\text{ V} \pm 2\%$, $I_{OUT} < 500\text{ mA}$, $f_{SW} = 1.2\text{ MHz}$	14.7	15	15.3	V

(1) Min and Max values include 1% resistor tolerance as well as IC reference tolerance.

2 Setup and Test Results

This section describes how to properly connect, set up, and use the TPS61087EVM.

2.1 Input/Output Connections

The connection points are described in the following paragraphs.

2.1.1 J1-VIN and GND

This header is the positive (pins 1 to 3) and return (pins 4 to 6) connections to the input power supply. The leads to the input supply should be twisted and kept as short as possible. The input voltage has to be between 2.5 V and 6 V.

2.1.2 J4-VOUT and GND

This header is the positive output (pins 1 to 3) and the return connection (pins 4 to 6) for the device.

2.1.3 J2-EN

Placing a jumper across pins 1 and 2 ties the EN pin to VIN, thereby enabling the device. Placing a jumper across pins 2 and 3 ties the EN pin to GND, which disables the device.

2.1.4 JP3-FREQ

The middle pin of this jumper connects to the FREQ pin of the IC. Placing this jumper across pins 1 and 2 ties the FREQ pin to VIN, thereby implementing a 1.2-MHz switching frequency. Placing this jumper across pins 2 and 3 ties the FREQ pin to ground, thereby implementing a 650-kHz switching frequency.

2.2 EVM Operation

The user must connect an input power supply set between 2.5 V and 6 V at header J1 in order for the EVM to operate. The absolute maximum input voltage is 7 V. The user can connect a load resistance at J4. Connect a jumper between pins 1 and 2 of J2 to enable the device.

2.3 Compensation (R1, C6)

The regulator loop can be compensated by adjusting the external components connected to the COMP pin. The COMP pin is the output of the internal transconductance error amplifier. Standard values of $R_{COMP} = 16 \text{ k}\Omega$ and $C_{COMP} = 2.7 \text{ nF}$ will work for the majority of the applications.

Refer to [Table 2](#) for dedicated compensation networks giving an improved load transient response. The following equations can be used to calculate R_{COMP} and C_{COMP} :

$$R_{COMP} = \frac{110 \times V_{IN} \times V_S \times C_{out}}{L \times I_{out_max}} \quad C_{COMP} = \frac{V_S \times C_{out}}{7.5 \times I_{out_max} \times R_{COMP}} \quad (1)$$

Table 2. Recommended Compensation Network Values at High/Low Frequency

FREQUENCY	L (μ H)	V _S (V)	V _{IN} \pm 20% (V)	R _{COMP} (k Ω)	C _{COMP}
High (1.2 MHz)	3.3	15	5	100	820 pF
			3.3	91	1.2 nF
		12	5	68	820 pF
			3.3	68	1.2 nF
		9	5	39	820 pF
			3.3	39	1.2 nF
Low (650 kHz)	6.8	15	5	51	1.5 nF
			3.3	47	2.7 nF
		12	5	33	1.5 nF
			3.3	33	2.7 nF
		9	5	18	1.5 nF
			3.3	18	2.7 nF

Table 2 gives conservative R_{comp} and C_{comp} values for certain inductors, input and output voltages providing a very stable system. For a faster response time, a higher R_{comp} value can be used to enlarge the bandwidth, as well as a slightly lower value of C_{comp} to keep enough phase margin. These adjustments should be performed in parallel with the load transient response monitoring of TPS61087.

3 Schematic, Bill of Materials, and Board Layout

This section provides the TPS61087EVM bill of materials and schematics. Compensation is optimized for stability for different LC output filters. To optimize for fast transient response, see [Section 2.3](#).

3.1 Schematic

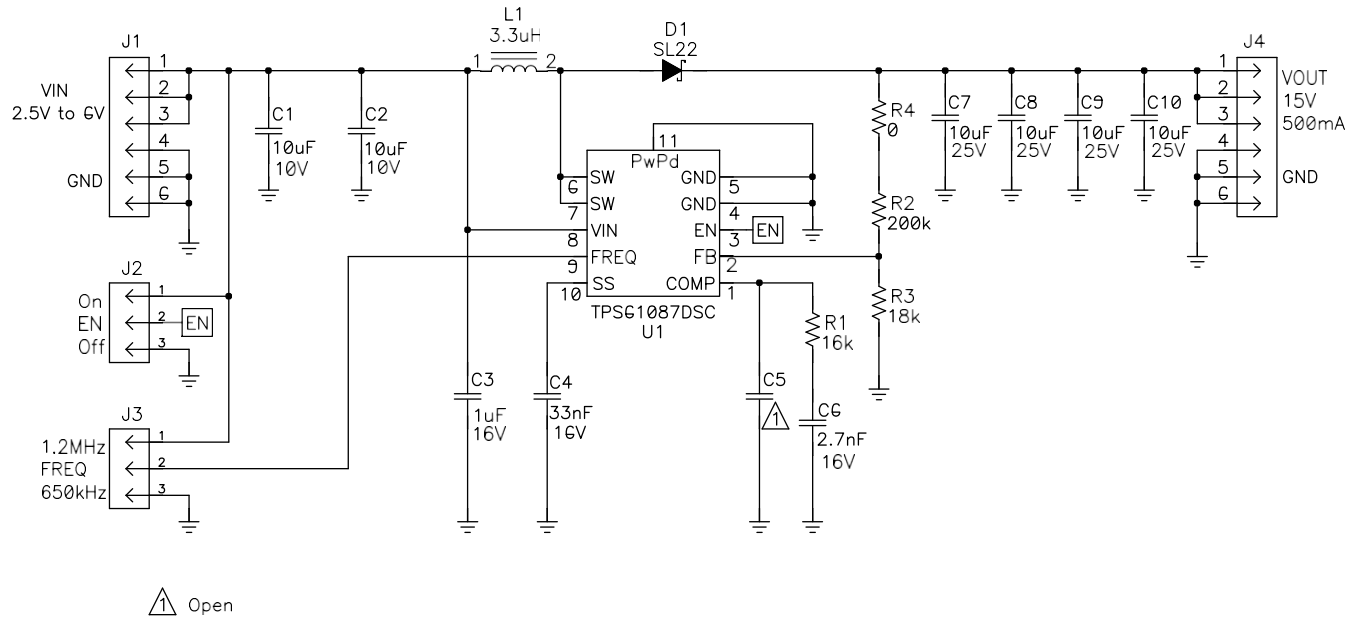


Figure 1. TPS61087EVM Schematic

3.2 Bill of Materials

Table 3. HPA317A Bill of Materials

RefDes	Value	Description	Size	Part Number	MFR
C1, C2	10 µF	Capacitor, Ceramic, 10V, X7R or X5R, 10%	0805	GRM21BR71A106KE51 or LMK212BJ106KG-T	Murata or Taiyo Yuden
C3	1 µF	Capacitor, Ceramic, 16V, X7R or X5R, 10%	0805	GRM21BR71C105KA01 or EMK212B7105KG-T	Murata or Taiyo Yuden
C4	33 nF	Capacitor, Ceramic, 16V, X7R, 10%	0805	Std	Std
C5	Open	Capacitor, Ceramic, 16V, X7R	0805	Std	Std
C6	2.7 nF	Capacitor, Ceramic, 16V, X7R, 10%	0805	Std	Std
C7, C8, C9, C10	10 µF	Capacitor, Ceramic, 25V, X7R or X5R, 10%	1206	GRM31CR61E106KA12 or TMK316BJ106KL-T	Murata or Taiyo Yuden
D1	SL22	Diode, Schottky Rectifier, 2A, 20 V	DO-214AA	SL22	Vishay
J1, J4		Header, Male 6-pin, 100mil spacing	0.100 inch x 6	Std	Std
J2, J3		Header, Male 3-pin, 100mil spacing	0.100 inch x 3	Std	Std
L1	3.3 µH	Inductor, SMT, 3.42A, 24 milliohm	0.288 x 0.288 inch	7447789003	Würth Elektronik
R1	16k	Resistor, Chip, 1/10W, 1%	0805	Std	Std
R2	200k	Resistor, Chip, 1/10W, 1%	0805	Std	Std
R3	18k	Resistor, Chip, 1/10W, 1%	0805	Std	Std
R4	0	Resistor, Chip, 1/10W, 5%	0805	Std	Std
U1	TPSG1087DSC	IC, 600kHz/1.2MHz Step-Up DC-DC Converter	SON-10	TPSG108DSC	TI
—		PCB	2.4 ln x 1.65 ln x 0.062 ln	HPA317	Any
—		Shunt, 100-mil, Black	0.100	929950-00	3M

3.3 Board Layout

This section provides the TPS61087EVM board layout and illustrations.

3.3.1 Layout

Board layout is critical for all switch-mode power supplies. Figure 2, Figure 3, and Figure 4 show the board layout for the HPA317 PCB. The switching nodes with high-frequency noise are isolated from the noise-sensitive feedback circuitry, and careful attention has been given to the routing of high-frequency current loops. See the data sheet for further layout guidelines.

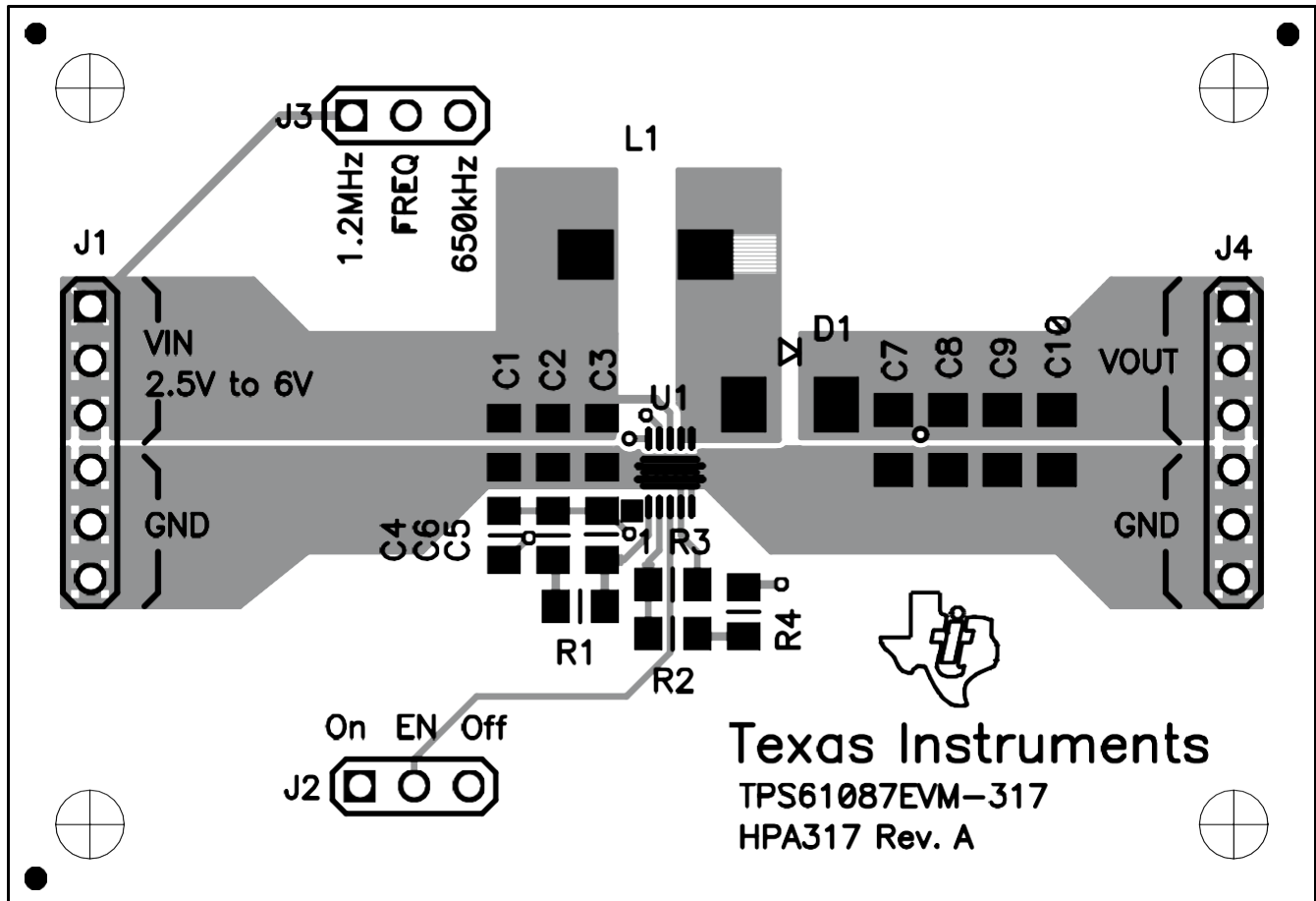


Figure 2. Top Assembly Layer

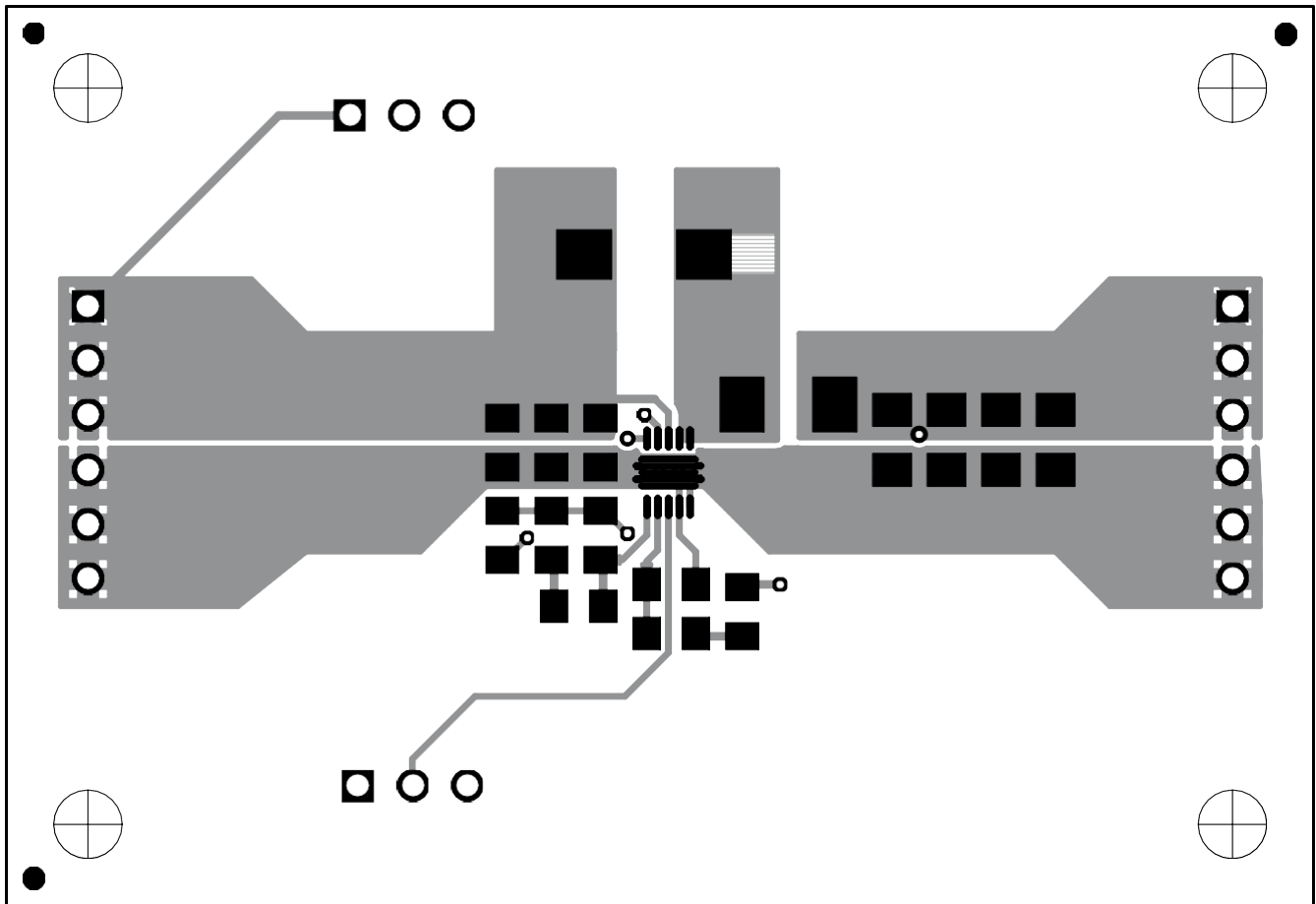


Figure 3. Top Layer Routing

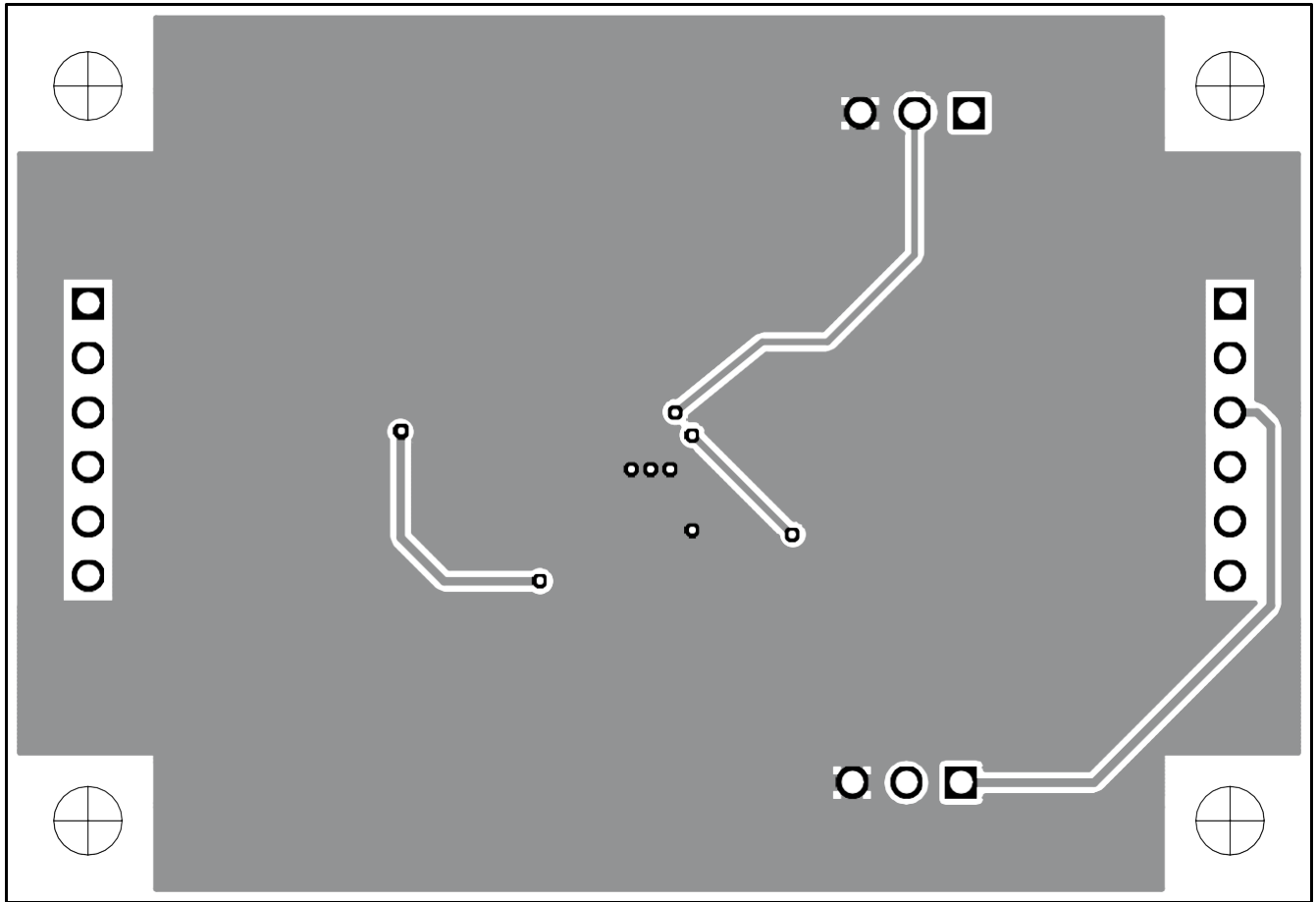


Figure 4. Bottom Layer Routing

EVALUATION BOARD/KIT IMPORTANT NOTICE

Texas Instruments (TI) provides the enclosed product(s) under the following conditions:

This evaluation board/kit is intended for use for **ENGINEERING DEVELOPMENT, DEMONSTRATION, OR EVALUATION PURPOSES ONLY** and is not considered by TI to be a finished end-product fit for general consumer use. Persons handling the product(s) must have electronics training and observe good engineering practice standards. As such, the goods being provided are not intended to be complete in terms of required design-, marketing-, and/or manufacturing-related protective considerations, including product safety and environmental measures typically found in end products that incorporate such semiconductor components or circuit boards. This evaluation board/kit does not fall within the scope of the European Union directives regarding electromagnetic compatibility, restricted substances (RoHS), recycling (WEEE), FCC, CE or UL, and therefore may not meet the technical requirements of these directives or other related directives.

Should this evaluation board/kit not meet the specifications indicated in the User's Guide, the board/kit may be returned within 30 days from the date of delivery for a full refund. **THE FOREGOING WARRANTY IS THE EXCLUSIVE WARRANTY MADE BY SELLER TO BUYER AND IS IN LIEU OF ALL OTHER WARRANTIES, EXPRESSED, IMPLIED, OR STATUTORY, INCLUDING ANY WARRANTY OF MERCHANTABILITY OR FITNESS FOR ANY PARTICULAR PURPOSE.**

The user assumes all responsibility and liability for proper and safe handling of the goods. Further, the user indemnifies TI from all claims arising from the handling or use of the goods. Due to the open construction of the product, it is the user's responsibility to take any and all appropriate precautions with regard to electrostatic discharge.

EXCEPT TO THE EXTENT OF THE INDEMNITY SET FORTH ABOVE, NEITHER PARTY SHALL BE LIABLE TO THE OTHER FOR ANY INDIRECT, SPECIAL, INCIDENTAL, OR CONSEQUENTIAL DAMAGES.

TI currently deals with a variety of customers for products, and therefore our arrangement with the user **is not exclusive**.

TI assumes **no liability for applications assistance, customer product design, software performance, or infringement of patents or services described herein.**

Please read the User's Guide and, specifically, the Warnings and Restrictions notice in the User's Guide prior to handling the product. This notice contains important safety information about temperatures and voltages. For additional information on TI's environmental and/or safety programs, please contact the TI application engineer or visit www.ti.com/esh.

No license is granted under any patent right or other intellectual property right of TI covering or relating to any machine, process, or combination in which such TI products or services might be or are used.

FCC Warning

This evaluation board/kit is intended for use for **ENGINEERING DEVELOPMENT, DEMONSTRATION, OR EVALUATION PURPOSES ONLY** and is not considered by TI to be a finished end-product fit for general consumer use. It generates, uses, and can radiate radio frequency energy and has not been tested for compliance with the limits of computing devices pursuant to part 15 of FCC rules, which are designed to provide reasonable protection against radio frequency interference. Operation of this equipment in other environments may cause interference with radio communications, in which case the user at his own expense will be required to take whatever measures may be required to correct this interference.

EVM WARNINGS AND RESTRICTIONS

It is important to operate this EVM within the input voltage range of 2.5 V to 6 V and the output voltage range of up to 18.5 V, but 15 V as configured.

Exceeding the specified input range may cause unexpected operation and/or irreversible damage to the EVM. If there are questions concerning the input range, please contact a TI field representative prior to connecting the input power.

Applying loads outside of the specified output range may result in unintended operation and/or possible permanent damage to the EVM. Please consult the EVM User's Guide prior to connecting any load to the EVM output. If there is uncertainty as to the load specification, please contact a TI field representative.

During normal operation, some circuit components may have case temperatures greater than 125° C. The EVM is designed to operate properly with certain components above 85° C as long as the input and output ranges are maintained. These components include but are not limited to linear regulators, switching transistors, pass transistors, and current sense resistors. These types of devices can be identified using the EVM schematic located in the EVM User's Guide. When placing measurement probes near these devices during operation, please be aware that these devices may be very warm to the touch.

Mailing Address: Texas Instruments, Post Office Box 655303, Dallas, Texas 75265
Copyright © 2008-2009, Texas Instruments Incorporated

IMPORTANT NOTICE AND DISCLAIMER

TI PROVIDES TECHNICAL AND RELIABILITY DATA (INCLUDING DATASHEETS), DESIGN RESOURCES (INCLUDING REFERENCE DESIGNS), APPLICATION OR OTHER DESIGN ADVICE, WEB TOOLS, SAFETY INFORMATION, AND OTHER RESOURCES "AS IS" AND WITH ALL FAULTS, AND DISCLAIMS ALL WARRANTIES, EXPRESS AND IMPLIED, INCLUDING WITHOUT LIMITATION ANY IMPLIED WARRANTIES OF MERCHANTABILITY, FITNESS FOR A PARTICULAR PURPOSE OR NON-INFRINGEMENT OF THIRD PARTY INTELLECTUAL PROPERTY RIGHTS.

These resources are intended for skilled developers designing with TI products. You are solely responsible for (1) selecting the appropriate TI products for your application, (2) designing, validating and testing your application, and (3) ensuring your application meets applicable standards, and any other safety, security, or other requirements. These resources are subject to change without notice. TI grants you permission to use these resources only for development of an application that uses the TI products described in the resource. Other reproduction and display of these resources is prohibited. No license is granted to any other TI intellectual property right or to any third party intellectual property right. TI disclaims responsibility for, and you will fully indemnify TI and its representatives against, any claims, damages, costs, losses, and liabilities arising out of your use of these resources.

TI's products are provided subject to TI's Terms of Sale (www.ti.com/legal/termsofsale.html) or other applicable terms available either on ti.com or provided in conjunction with such TI products. TI's provision of these resources does not expand or otherwise alter TI's applicable warranties or warranty disclaimers for TI products.

Mailing Address: Texas Instruments, Post Office Box 655303, Dallas, Texas 75265
Copyright © 2019, Texas Instruments Incorporated