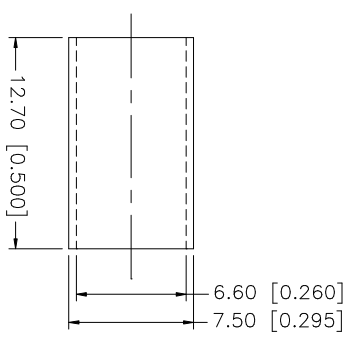
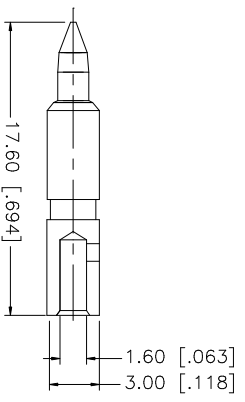
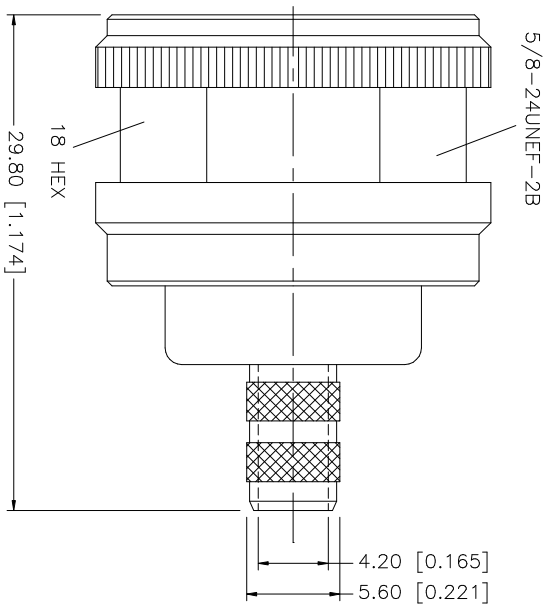
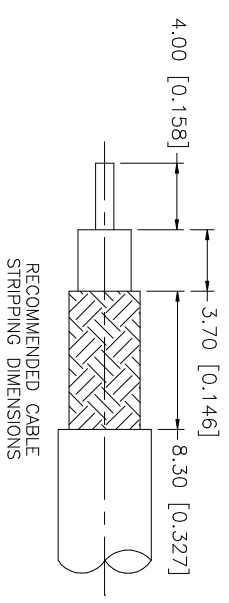


REV.	DATE	DESCRIPTION
NC	05/24/04	INITIAL RELEASE



CRIMP NOTES:

1. CRIMPED FERRULE
HEX CRIMP SIZE ".255"
2. CRIMPED CONTACT PIN
HEX CRIMP SIZE ".100"

QTY	FINISH	MATERIAL	DESCRIPTION
1	NEKOCOTE	BRASS	FERRULE
1	GOLD	BRASS	CONTACT PIN
1	RED	SILICON	GASKET
1	NATURAL	TEFLON	INSULATOR
1	NEKOCOTE	BRASS	BARREL
1	NEKOCOTE	BRASS	BODY

UNLESS OTHERWISE SPECIFIED DIMENSIONS ARE IN INCHES AND FOR CUSTOMER REFERENCE ONLY.	UNLESS OTHERWISE SPECIFIED DIMENSIONS ARE IN MILLIMETERS AND FOR CUSTOMER REFERENCE ONLY.
0.5 - 8mm ± 0.20mm	30 - 120mm ± 0.50mm
8 - 30mm ± 0.40mm	30 - 120mm ± 0.50mm

UNLESS OTHERWISE SPECIFIED DIMENSIONS ARE IN INCHES AND FOR CUSTOMER REFERENCE ONLY.	UNLESS OTHERWISE SPECIFIED DIMENSIONS ARE IN MILLIMETERS AND FOR CUSTOMER REFERENCE ONLY.
.020 - .315 ± ± 0.007"	.020 - .315 ± ± 0.007"
.315 - 1.180 ± ± 0.015"	.315 - 1.180 ± ± 0.015"
1.180 - 4.724 ± ± 0.020"	1.180 - 4.724 ± ± 0.020"

APPROVALS	DATE
DRAWN G.R.S.	05/24/04
CHECKED	
ISSUED	
SHEET 1 OF 1	

PART DESCRIPTION	PART NO.
N CRIMP PLUG (FOR LMR-240, RG-8/X CABLE)	172135-10

CAD FILE	DWG. NO.	REV.	SIZE	SCALE
C:/172/172135-10.DWG	172135-10.DWG	NC	A	NA

Amphenol Connex