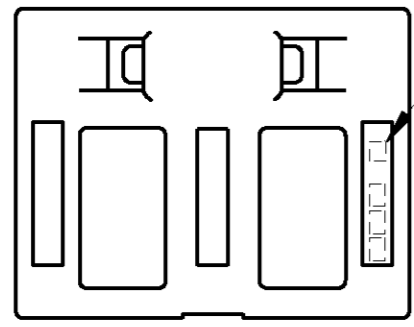
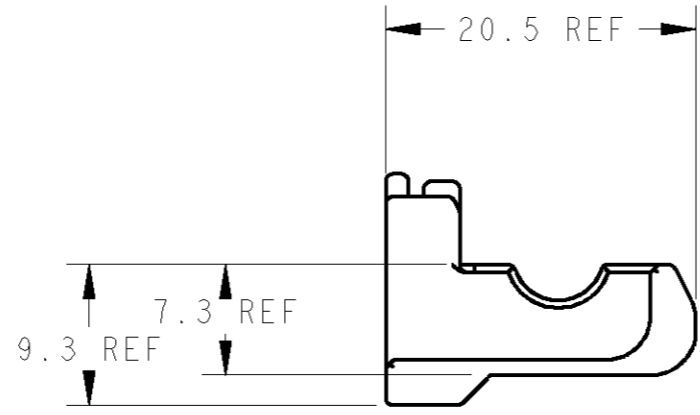
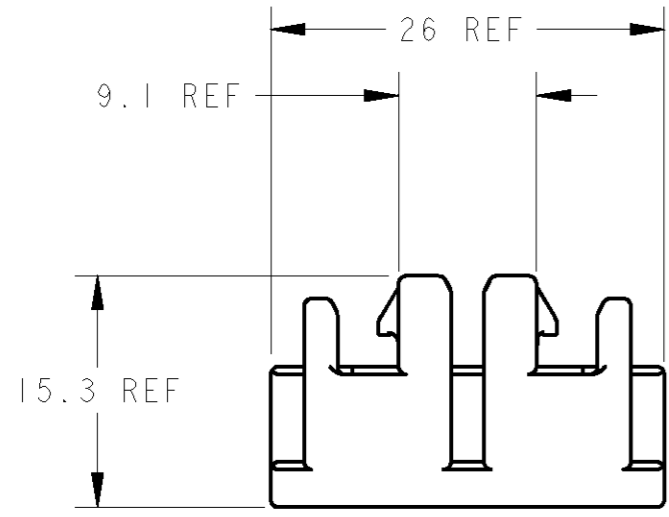
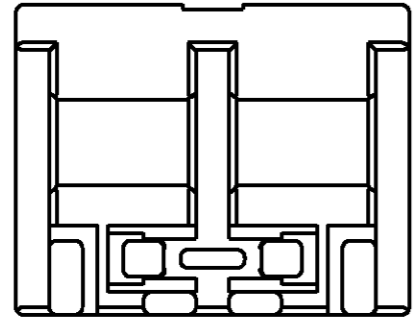


THIS DRAWING IS UNPUBLISHED. RELEASED FOR PUBLICATION 2006
 © COPYRIGHT 2006 BY TYCO ELECTRONICS CORPORATION. ALL RIGHTS RESERVED.

| LOC | DIST | REVISIONS | | | | | |
|-----|------|-----------|-----|---------------|---------|-----|------|
| | | P | LTR | DESCRIPTION | DATE | DWN | APVD |
| J | - | | A | RELEASED | 05SEP06 | SS | SI |
| | | | B | REVISED | 26MAY10 | TS | KB |
| | | | | ECR-10-007504 | | | |



LOGO MARK

- MATING CONNECTOR IS:
TYCO P/N: 1612275-3/1747137-3/1612275-4/1747137-4
- HANDLING OF THIS PART SHOULD FOLLOW INSTRUCTION SHEET NO. 411-78084.
- ASSEMBLED BY CUSTOMER.

- 嵌合相手品番
TYCO P/N: 1612275-3/1747137-3/1612275-4/1747137-4
- 本部品取扱は取扱説明書NO. 411-78084に従うこと
- クリップは顧客にて組立てられる。

| | | | |
|-----------------------|----------------------|-------|-----------|
| PAPER BOX ダンボール箱 | PLASTIC BAG ビニール袋 | BLACK | 1939393-1 |
| OUTER 外装 | INNER 内装 | COLOR | P/N |
| PACKING STYLE 梱包形態 | | | |

| | | | | |
|--|--|---------------------------------|---|------------------------|
| THIS DRAWING IS A CONTROLLED DOCUMENT FOR TYCO ELECTRONICS CORPORATION IT IS SUBJECT TO CHANGE AND THE CONTROLLING ENGINEERING ORGANIZATION SHOULD BE CONTACTED FOR THE LATEST REVISION. | | DWN S. SHISHIKURA 05SEP06 | Tyco Electronics Corporation Kawasaki, Japan | |
| DIMENSIONS: 単位: ㎜ mm | | CHK K. SAKAMAKI 05SEP06 | NAME S. ISOHATA | |
| TOLERANCES UNLESS OTHERWISE SPECIFIED: 一般公差 ±0.5 0-PLC ± 1-PLC ±0.5 2-PLC ±0.50 3-PLC ±0.500 4-PLC ±0.5000 ANGLES ±3'00" | | APVD S. ISOHATA 05SEP06 | PRODUCT SPEC 製品規格 108-5891 | |
| MATERIAL 材料 PBT | | FINISH 仕上 | APPLICATION SPEC 取付適用規格 - | WEIGHT 3.6 g |
| SEE TABLE | | CUSTOMER DRAWING | | SCALE 尺度 2:1 |
| | | SIZE A300779 | | CAGE CODE C=1939393 |
| | | DRAWING NO 番号 | | RESTRICTED TO - |
| | | SHEET 1 OF 1 | | REV B |