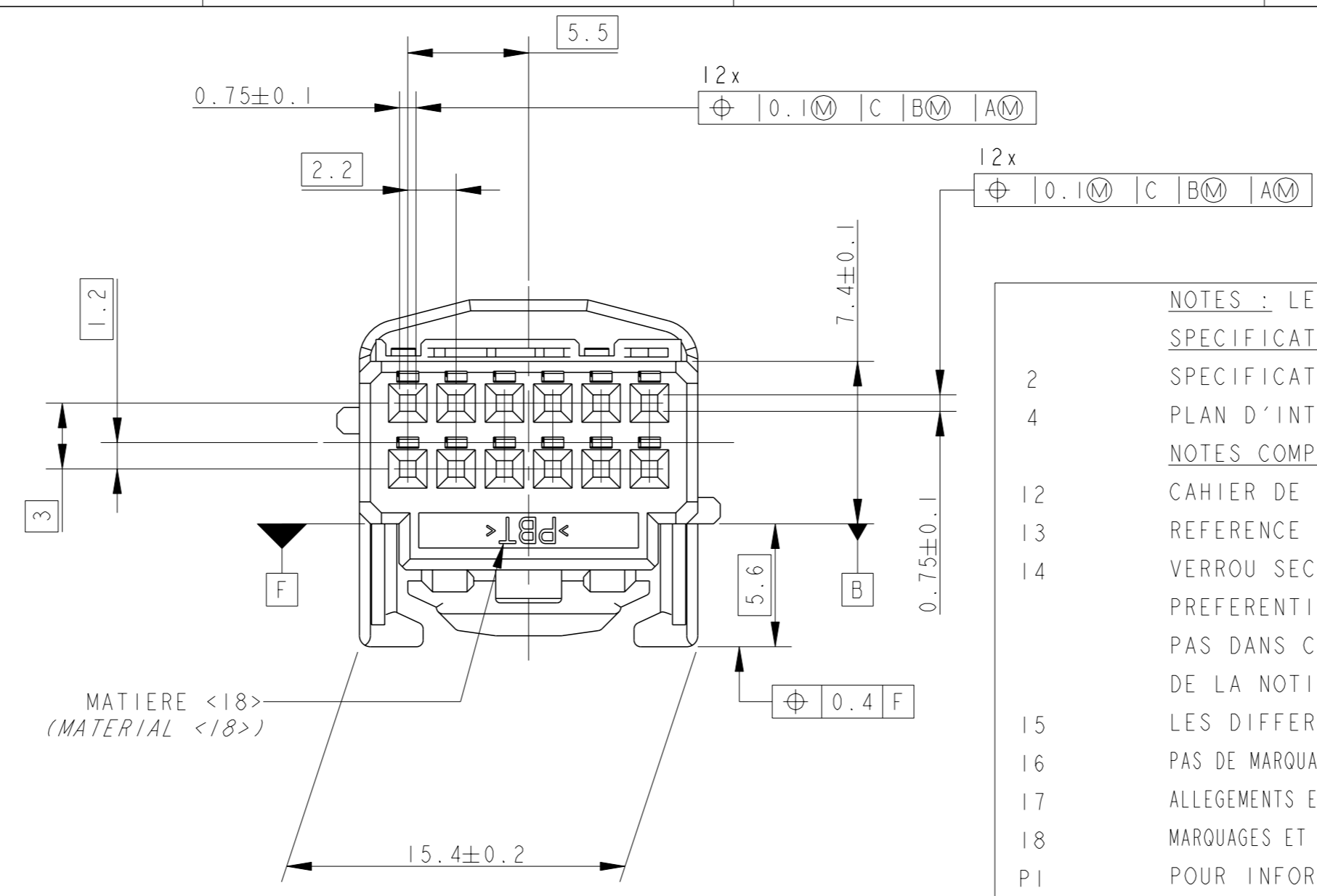
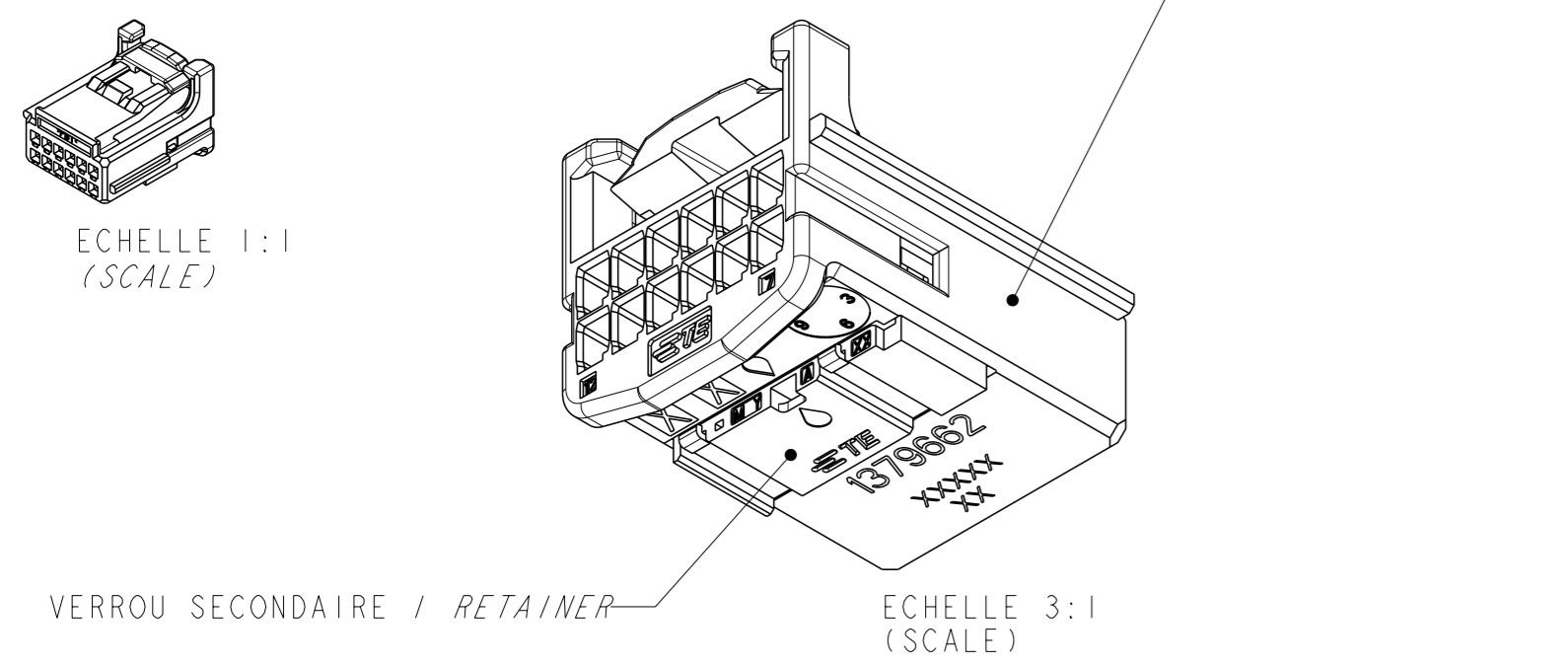
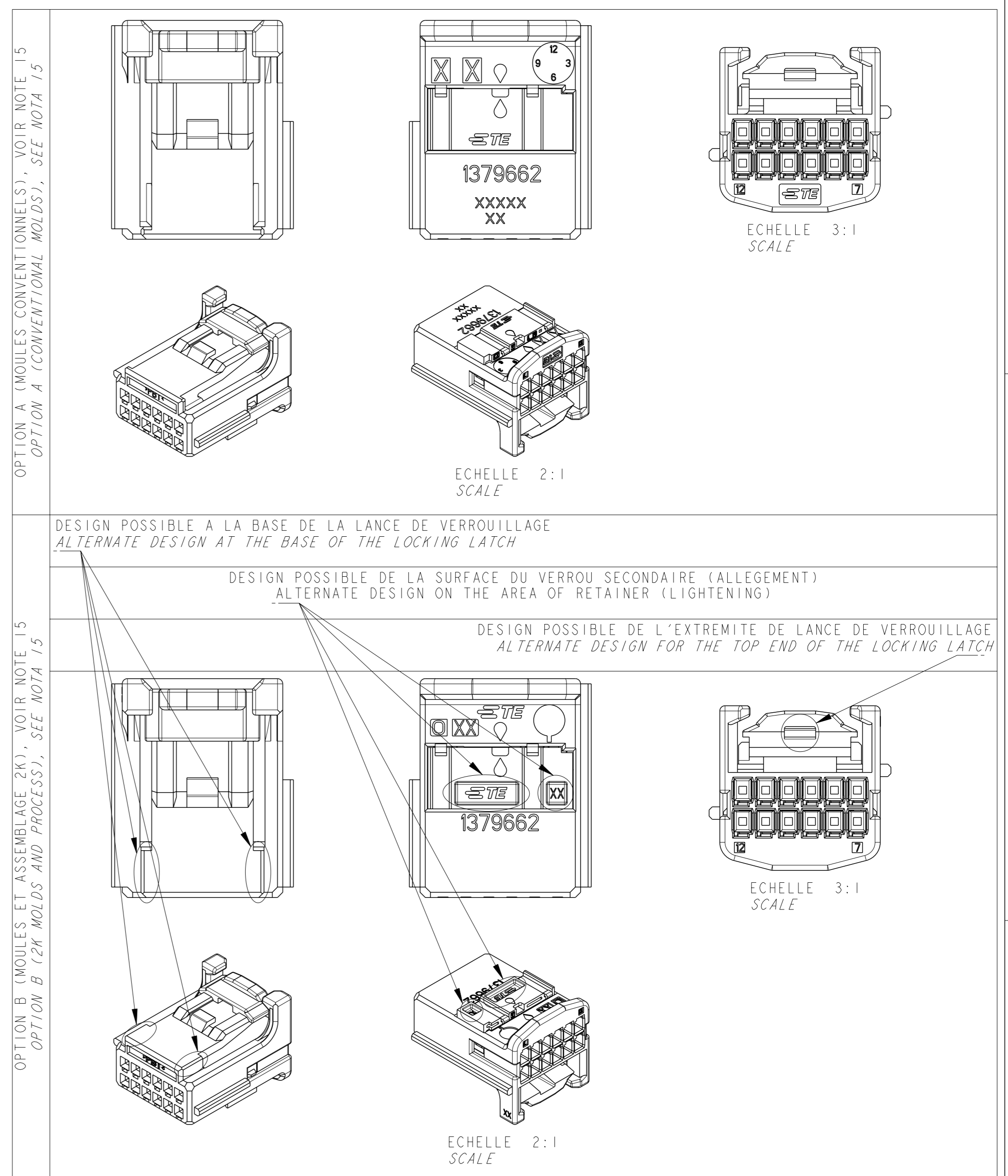
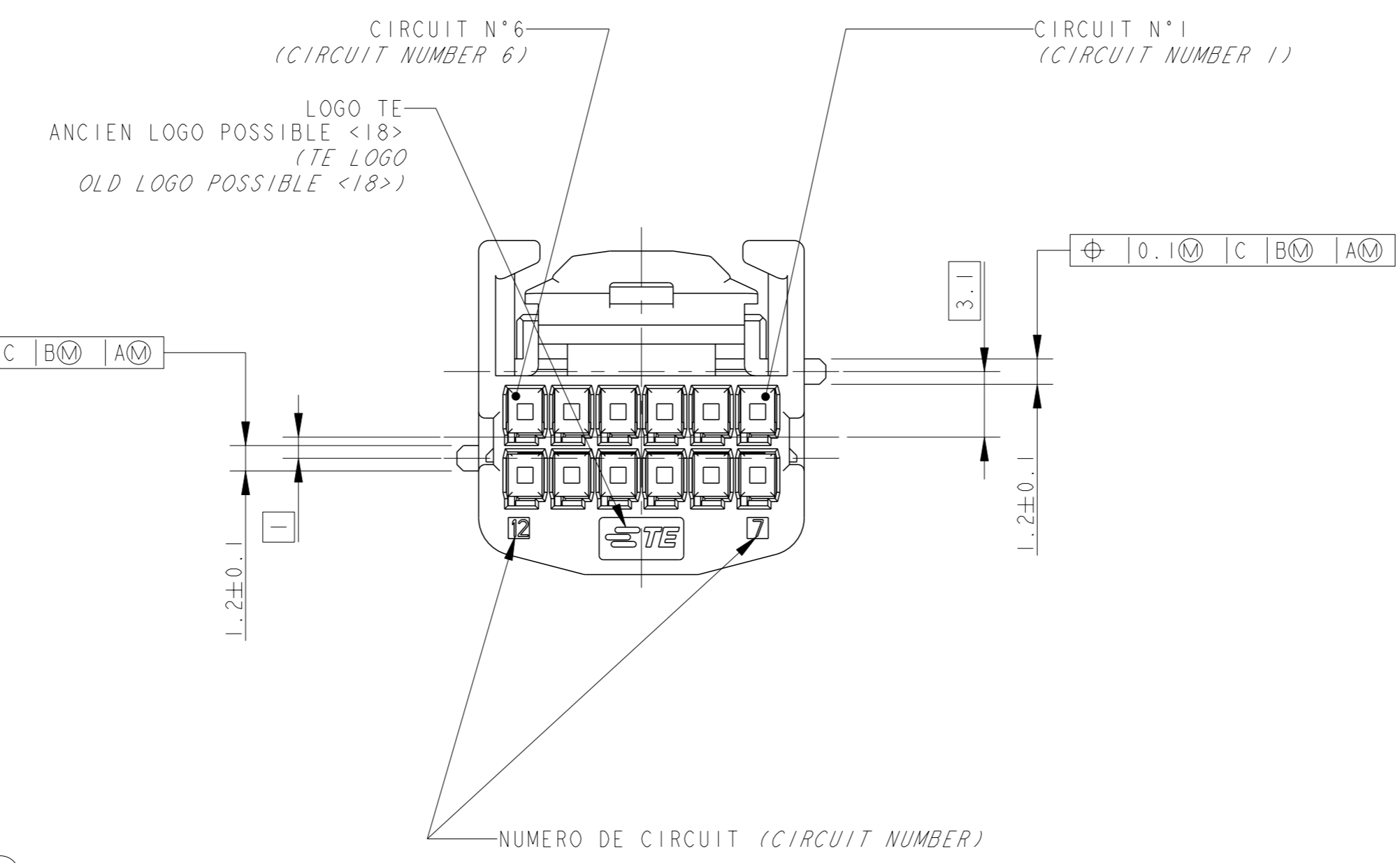
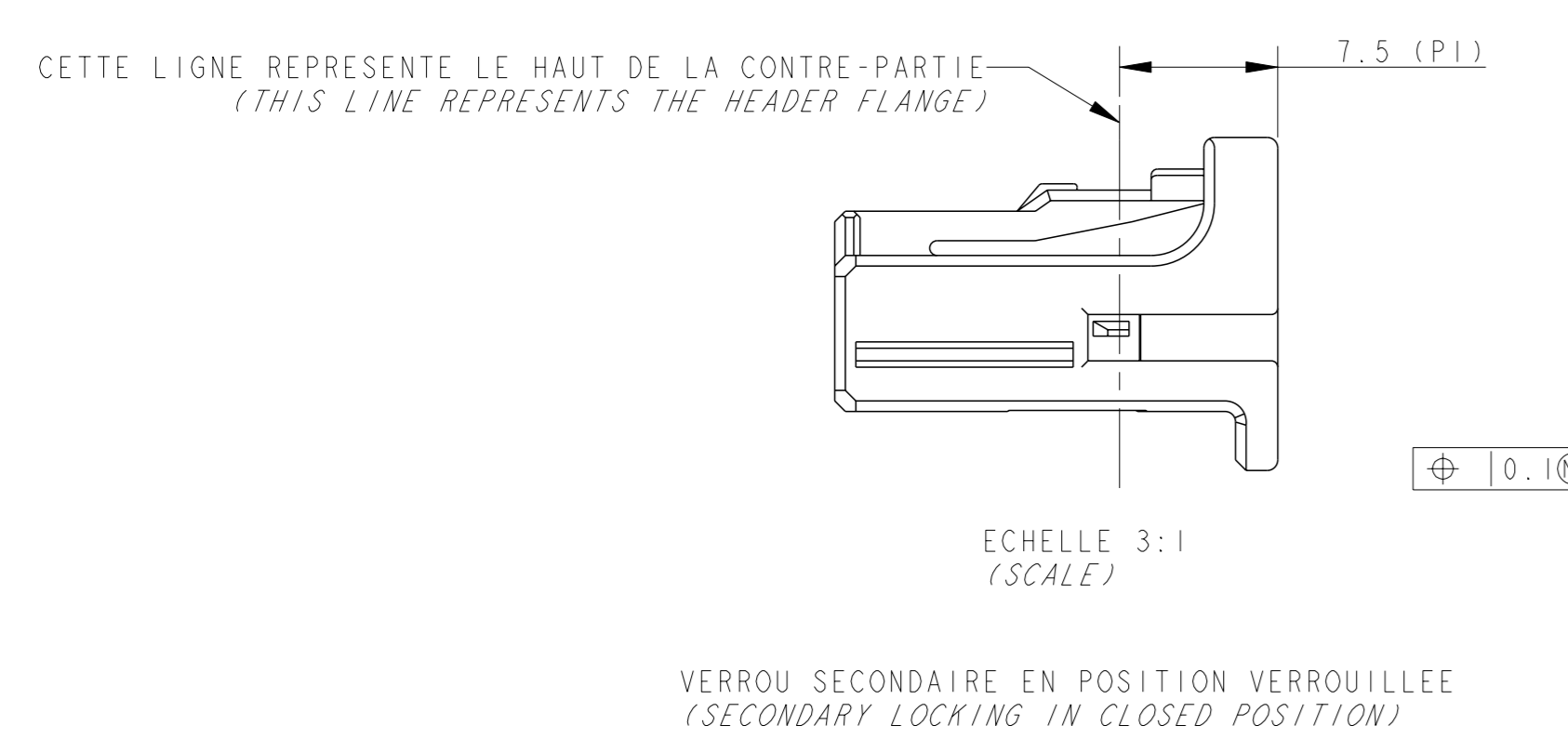
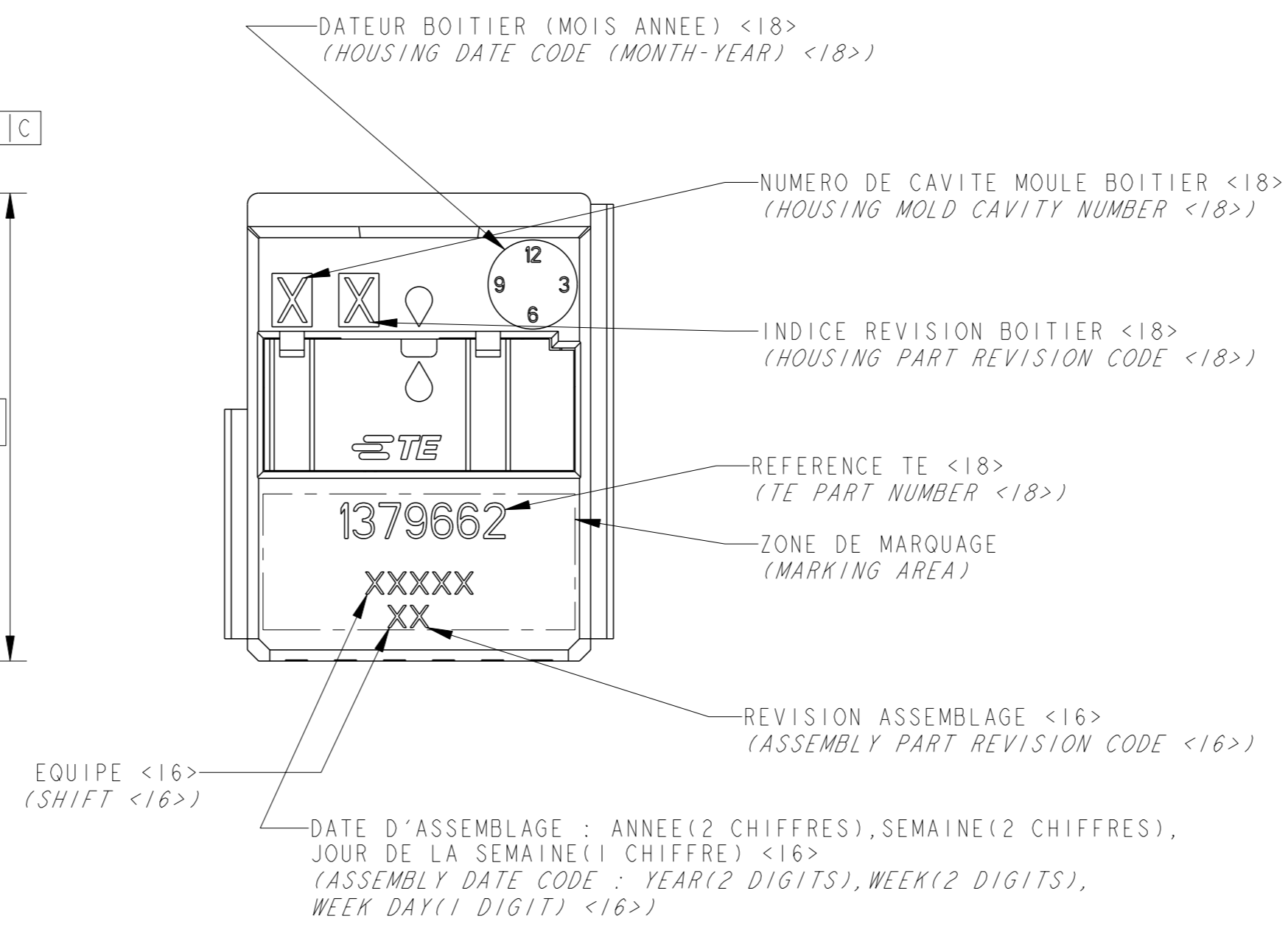
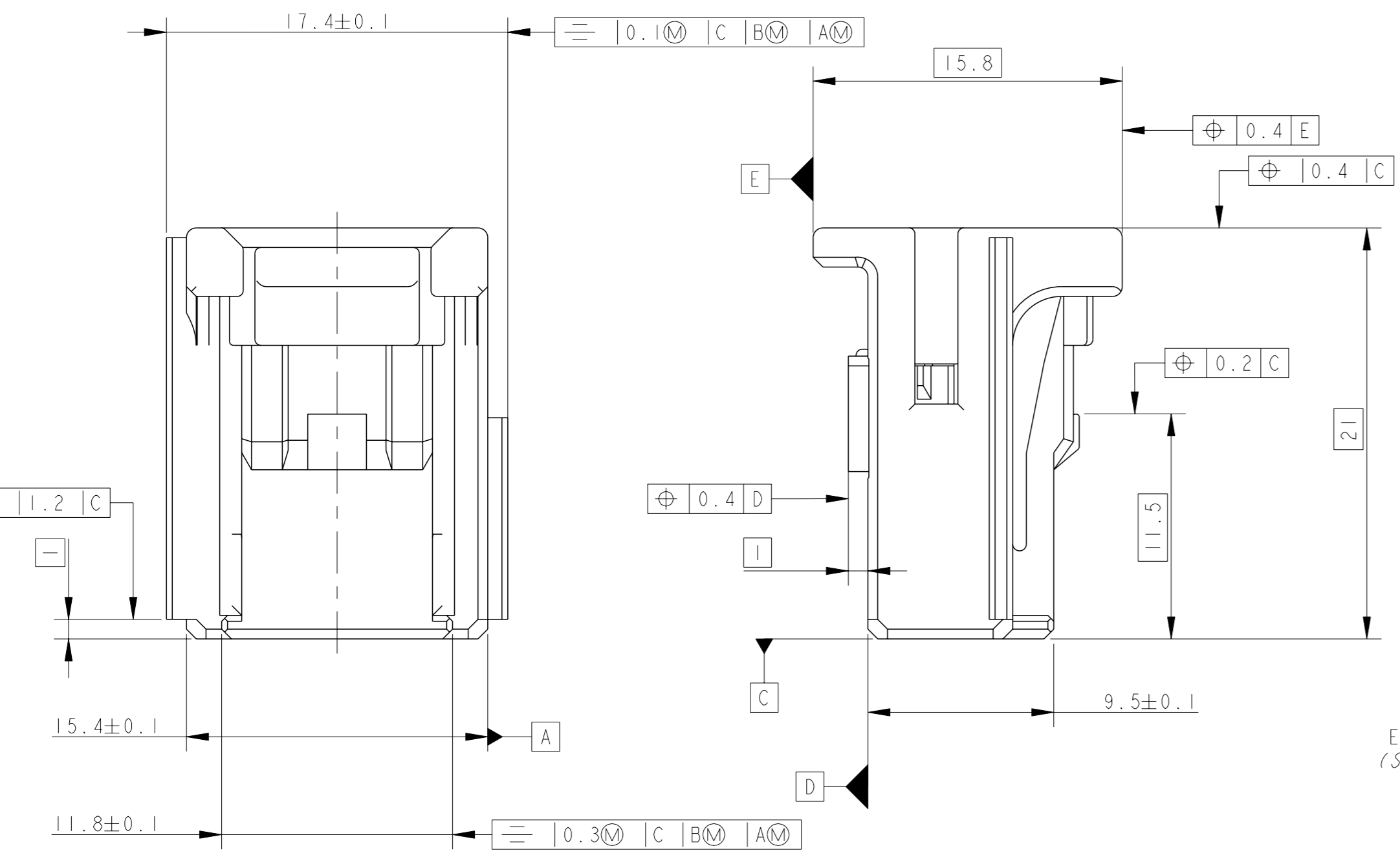


LOC	DIST	REVISIONS			
F	00	REV	DESCRIPTION	DATE	APPV
		B	ADD ALTERNATE ANTI OVERSTRESS DESIGN	21AUG2013	DB JPP
		C	CORRECTION OF ALTERNATE DESIGN	18SEP2013	DB JPP
		D	SUPPRESS WITHOUT EARS VERSION, ADD DESIGN PERMISSIBLE FOR 2K MOLD	20JUN2017	DB XR
		E	PN 1674298-1 replace with PN 1123343-1	09JUN2022	CS XR



NOTES : LES NOTES LOCALES SONT ENTRE <->
 SPECIFICATIONS DE REFERENCE :
 SPECIFICATION TE : 108-15299
 PLAN D'INTERFACE TE : 1379776
 NOTES COMPLEMENTAIRES :
 CAHIER DE PRECONISATION : 411-15672
 REFERENCE REPRESENTEE : 1379662-1
 VERRU SECONDAIRE PREVERROUILLEE (POSITION PREFERENTIELLE DE LIVRAISON). SI LE VERRU N'EST PAS DANS CETTE POSITION, SUIVRE LES INSTRUCTIONS DE LA NOTICE TECHNIQUE TE 411-15672 §8.2
 LES DIFFERENTES VERSIONS SONT LIVREES DE FACON ALEATOIRE
 PAS DE MARQUAGE POUR LES PIECES DIRECTEMENT ASSEMBLEES APRES MOULAGE
 ALLEGEMENTS ET FORMES COSMETIQUES PEUVENT DIFFERER D'UN MOULE A L'AUTRE
 MARQUAGES ET POSITIONS PEUVENT DIFFERER D'UN MOULE A L'AUTRE
 POUR INFORMATION

LOCALE NOTES ARE BETWEEN <->
 APPLICABLE SPECIFICATION :
 TE SPECIFICATION (SEE BEFORE)
 TE INTERFACE DRAWING (SEE BEFORE)
 ADDITIONAL NOTES :
 INSTRUCTION SHEET : (SEE BEFORE)
 PART NUMBER SHOWN (SEE BEFORE)
 SECONDARY LOCK IN PRELOCKED POSITION (PREFERRED DELIVERY POSITION). IF SECONDARY LOCKING IS NOT IN THIS POSITION, FOLLOW INSTRUCTIONS OF TE SPECIFICATION 411-15672 §8.2
 THE DIFFERENT VERSIONS ARE DELIVERED SO RANDOM
 NO MARKING REQUIRED FOR THE PART MOLDING WITH DIRECT ASSEMBLY
 LIGHTENINGS (DIMENSION & LOCATION), COSMETIC SHAPES CAN DIFFER FROM ONE MOLD TO ANOTHER
 MARKING TYPE & LOCATION CAN DIFFER FROM ONE MOLD TO ANOTHER
 FOR REFERENCE ONLY



CONTACTS ASSOCIES LISTE NON EXHAUSTIVE (APPLIED CONTACTS NON EXHAUSTIVE LIST)

REF TE / TE PN	FINITION (FINISH)	DESIGNATION (DESIGNATION)
1123343-2	DORE (0.38µm) / GOLDED (0.38µm)	CLIP .635 (.635 CONTACT) 0.35 A 0.5 MM ² (SOMM)
1801069-2	DORE (0.8µm) / GOLDED (0.8µm)	CLIP .635 (.635 CONTACT) 0.35 A 0.5 MM ² (SOMM)
1123343-1	ETAME (TINNED)	CLIP .635 (.635 CONTACT) 0.35 A 0.5 MM ² (SOMM)

REF TE / TE PN	DESCRIPTION / DESCRIPTION	CODAGE / KEYING	MATERIE BOITIER - MATERIE VERRU SECONDAIRE / HOUSING MATERIAL - RETAINER MATERIAL	COULEUR BOITIER - COULEUR VERRU SECONDAIRE / HOUSING COLOR - RETAINER COLOR	REVISION ASSEMBLAGE / ASSEMBLY REVISION CODE
1379662-5	CONNECTEUR 12 VOIES / 12 WAY CONNECTOR	NEUTRE / NEUTRAL	PBT-PBT / PBT-PBT	NATUREL-NATUREL / NATURAL-NATURAL	0
1379662-2	CONNECTEUR 12 VOIES / 12 WAY CONNECTOR	2 / 2	PBT-PBT / PBT-PBT	GRIS-NATUREL / GREY-NATURAL	0
1379662-1	CONNECTEUR 12 VOIES / 12 WAY CONNECTOR	1 / 1	PBT-PBT / PBT-PBT	NOIR-NATUREL / BLACK-NATURAL	0

THIS DRAWING IS A CONTROLLED DOCUMENT. CE PLAN EST UN DOCUMENT CONTRÔLÉ PAR TUD ELECTRONICS. IL EST SOUSCRIPTIBLE ET PEUT ÊTRE CONSULTÉ EN LIGNE. DE TOUTES ÉLECTRONIQUES POUR OBTENIR LA DERNIÈRE RÉVISION.

OWN / POSSÈSSEUR: D. BANC
 CHK / VÉRIFIÉ: B. DUPONT
 APV / APPROUVÉ: JP PICAUD
 PROD / PRODUIT: SEE TABLE
 SPEC / SPECIFICATION: SEE TABLE
 APPL / APPLICATION SPEC: SEE TABLE
 WEIGHT / MASSE APPROX.: -

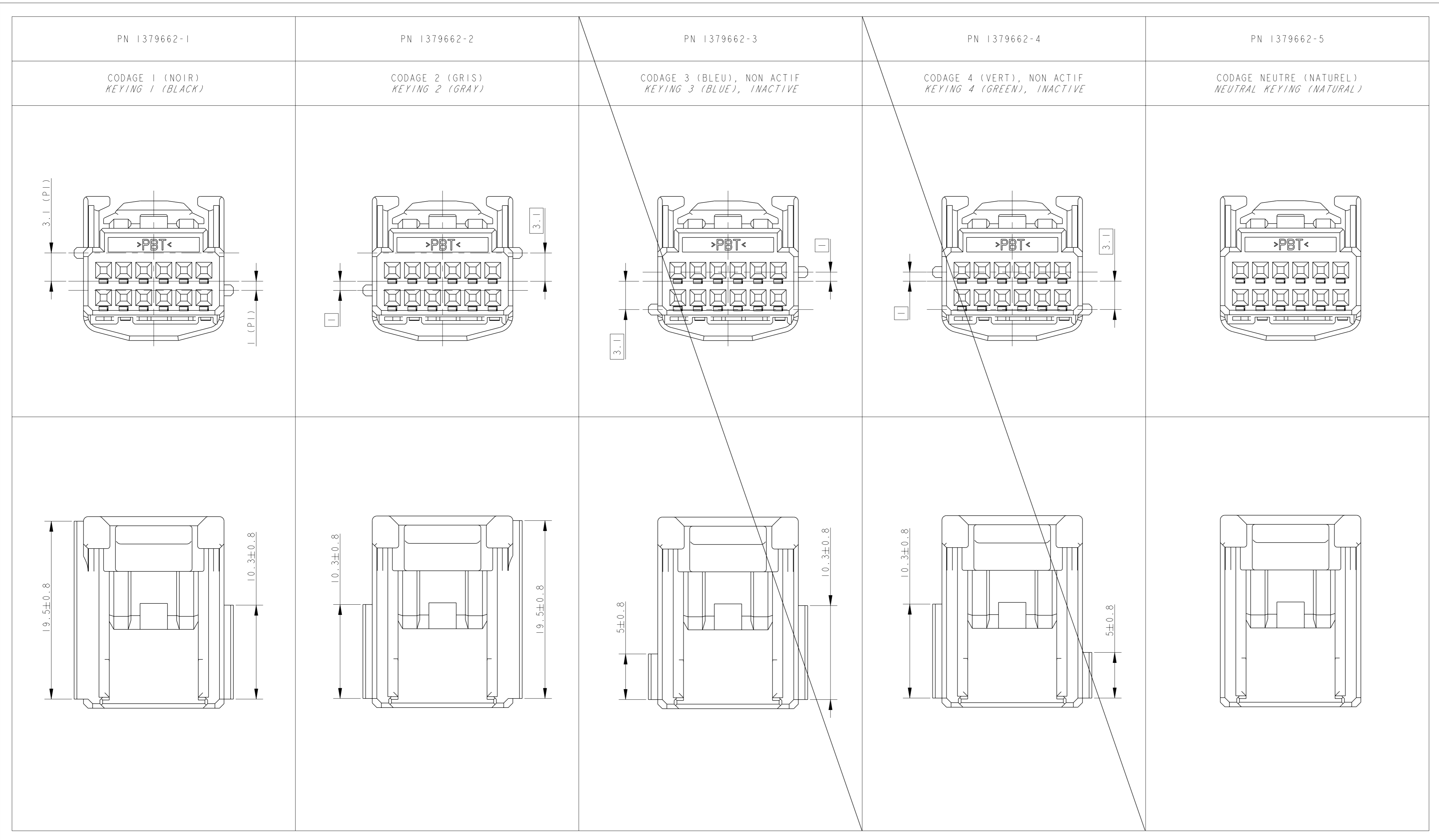
DATE: 29OCT2002
 DATE: 04NOV2002
 DATE: 04NOV2002

NAME / TITRE: 025 TH 12 POS PLUG HOUSING

SIZE / FORMAT: A1
 CAGE CODE / DRAWING NO: 00779-1379662
 CUSTOMER DRAWING / PLAN CLIENT: UNIFORMÉ
 SCALE / ÉCHELLE: 4:1
 SHEET / FEUILLE: 1 OF 2
 REV / REV: E

TE Connectivity

LOC		DIST		REVISIONS			
F	00	P	LYH	DESCRIPTION	DATE	OWN	APVD
REV				MODIFICATIONS		BESS	APP.
-	-	-	-	SEE SHEET 1	-	-	-



Printed on 8 Jun 2022 13:52 (Paris, Madrid) from ER005054

THIS DRAWING IS A CONTROLLED DOCUMENT. CE PLAN EST UN DOCUMENT CONTROLÉ PAR TYSO ELECTRONICS. IL EST SOUSCRIPTION DE TOUT CHANGEMENT. CONTACTER LE SERVICE TECHNIQUE DE TYSO ELECTRONICS POUR OBTENIR LA DERNIERE VERSION.		OWN /DESIGNE: 29OCT2002 D. BANCE CHK /VERIFIE: 04NOV2002 B. DUPONT	NAME: 025 TH 12 POS TITLE: PLUG HOUSING
DIMENSIONS: mm 	TOLERANCES UNLESS OTHERWISE SPECIFIED: 0 PLC /DEC: ±0.2 1 PLC /DEC: ±0.2 2 PLC /DEC: ±0.2 3 PLC /DEC: ±0.2 4 PLC /DEC: ±0.2	APVD /APPROVE: 04NOV2002 JP. PICAUD PRODUCT SPEC: SPEC. PRODUCT: SEE TABLE APPLICATION SPEC: SPEC. APPLICATION: SEE TABLE	SIZE: A1 CAGE CODE: 00779 DRAWING NO: 1379662 No. PLAN: 1379662
MATERIAL /MATIERE: SEE TABLE	FINISH /FINITION: -	WEIGHT /Poids: WASTE APPROX.: -	RESTRICTED TO: RESERVE A CUSTOMER DRAWING /PLAN CLIENT INQUIRY FOUR REFERENCE: /INQUIRE POUR REFERENCE SCALE: 4:1 SHEET: 2 OF 2 REV: E