

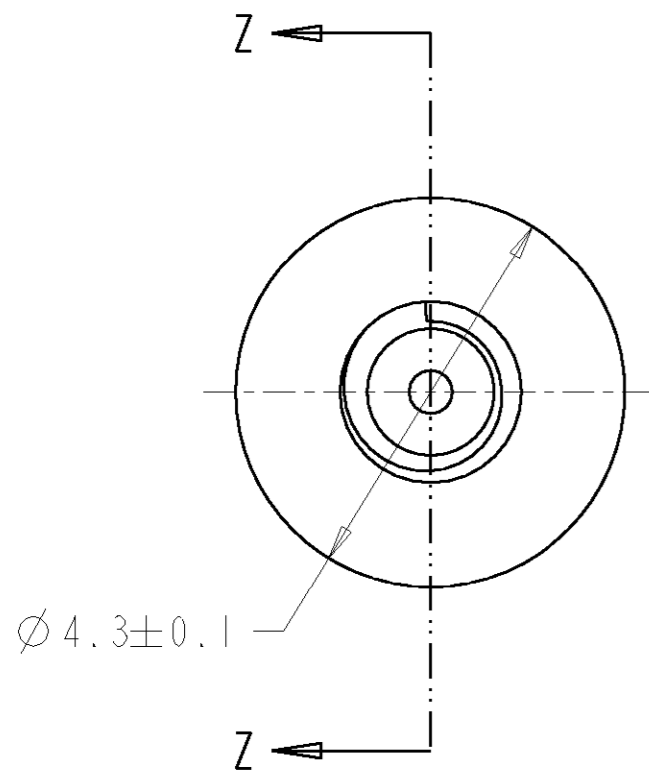
THIS DRAWING IS UNPUBLISHED.

RELEASED FOR PUBLICATION

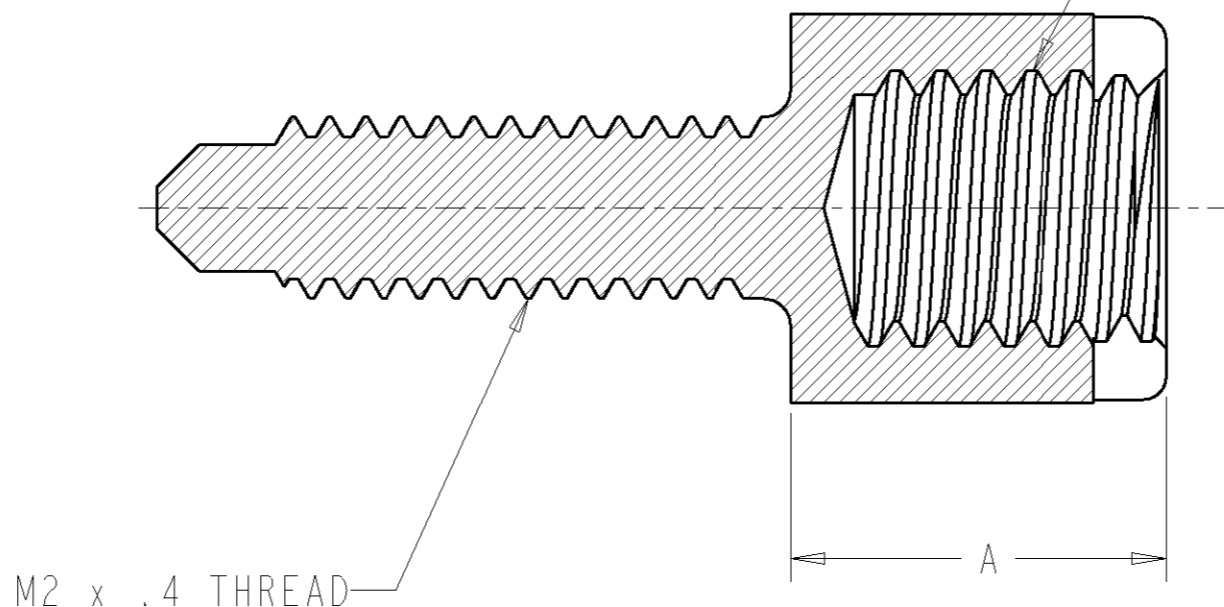
© COPYRIGHT

ALL RIGHTS RESERVED.

LOC	DIST	REVISIONS					
GP	00	P	LTR	DESCRIPTION	DATE	DWN	APVD
		A1		REVISED PER ECO-11-005294	20APR11	RK	HMR



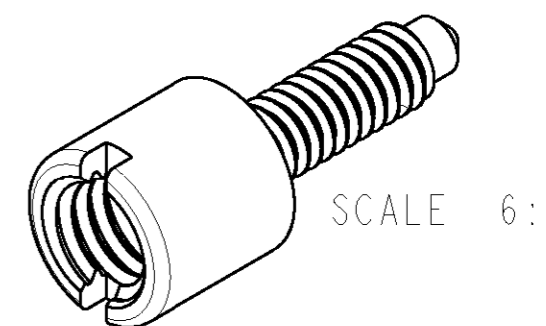
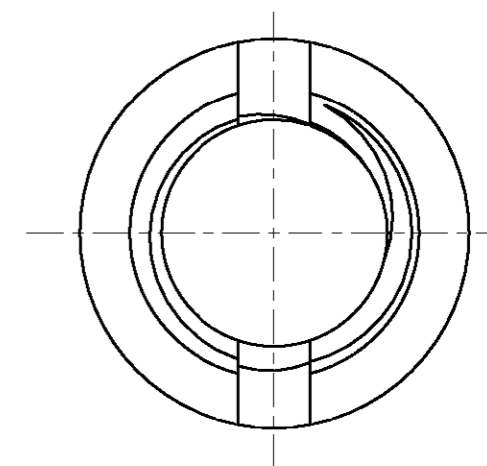
Ø 4.3 ± 0.1



M2 x .4 THREAD

SECTION Z-Z

THREAD  
M3 X 0.5



SCALE 6:1

- 1. MATERIAL: STAINLESS STEEL.
- 2. SCREW LOCK REQUIRED FOR PART NUMBER 1339362.  
SCREW LOCK MUST BE ORDERED SEPARATELY PER TABLE BELOW.

> 1mm - < 2mm	1339381-2
0mm - ≤ 1mm	1339381-1
PANEL THICKNESS	SCREW LOCK P/N

4.14	1339381-4	4
5.15	1339381-3	4
4.14	1339381-2	3
5.15	1339381-1	3
DIM A	PART NUMBER	

3. PACKAGED IN BAGS THAT INCLUDE 960 PIECES.  
2 REQUIRED PER BOARD MOUNT CONNECTOR.

4. PACKAGED IN BAGS THAT INCLUDE 100 PIECES.  
2 REQUIRED PER BOARD MOUNT CONNECTOR.

DIMENSIONS: mm 		TOLERANCES UNLESS OTHERWISE SPECIFIED: 0 PLC ±- 1 PLC ±0.05 2 PLC ±0.05 3 PLC ±0.05 4 PLC ±0.05 ANGLES ±2°		DWN K.ZARBOCK 27JUL01 CHR D.WIEBKING 27JUL01 APVD D.WIEBKING 27JUL01 PRODUCT SPEC - APPLICATION SPEC - WEIGHT -			
MATERIAL 1 		FINISH -		NAME SCREW LOCK, MINI RJ21, RECEPTACLE		SIZE A3 CAGE CODE 00779 DRAWING NO C-1339381 RESTRICTED TO -	
CUSTOMER DRAWING				SCALE 12:1		SHEET 1 OF 1 REV A1	