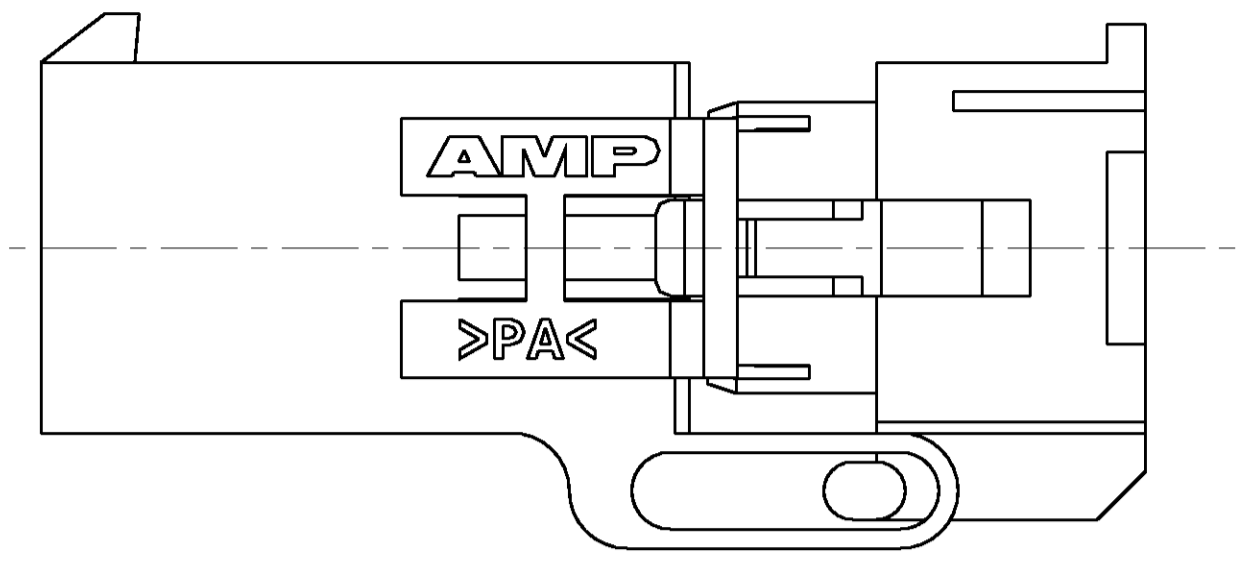
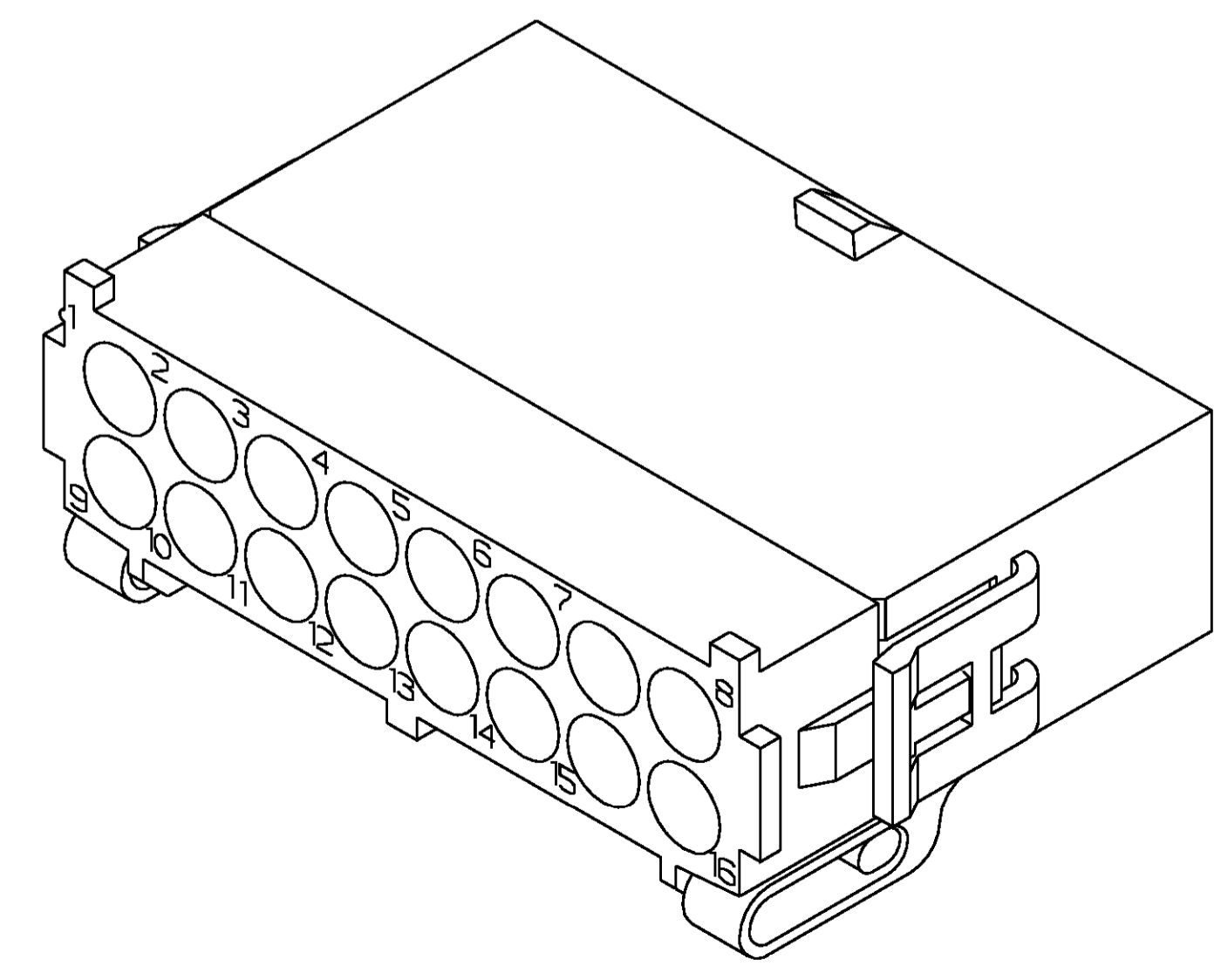
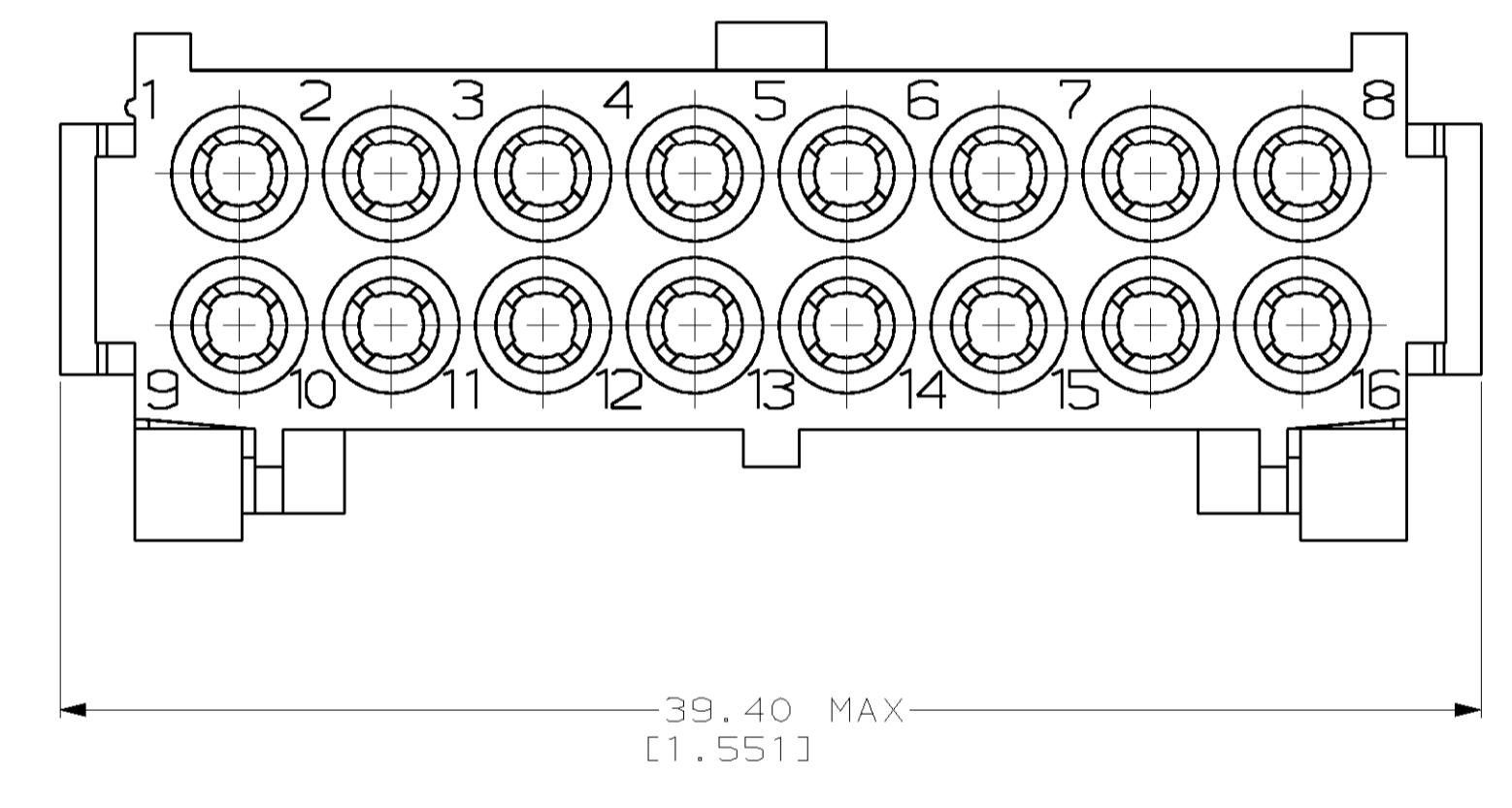
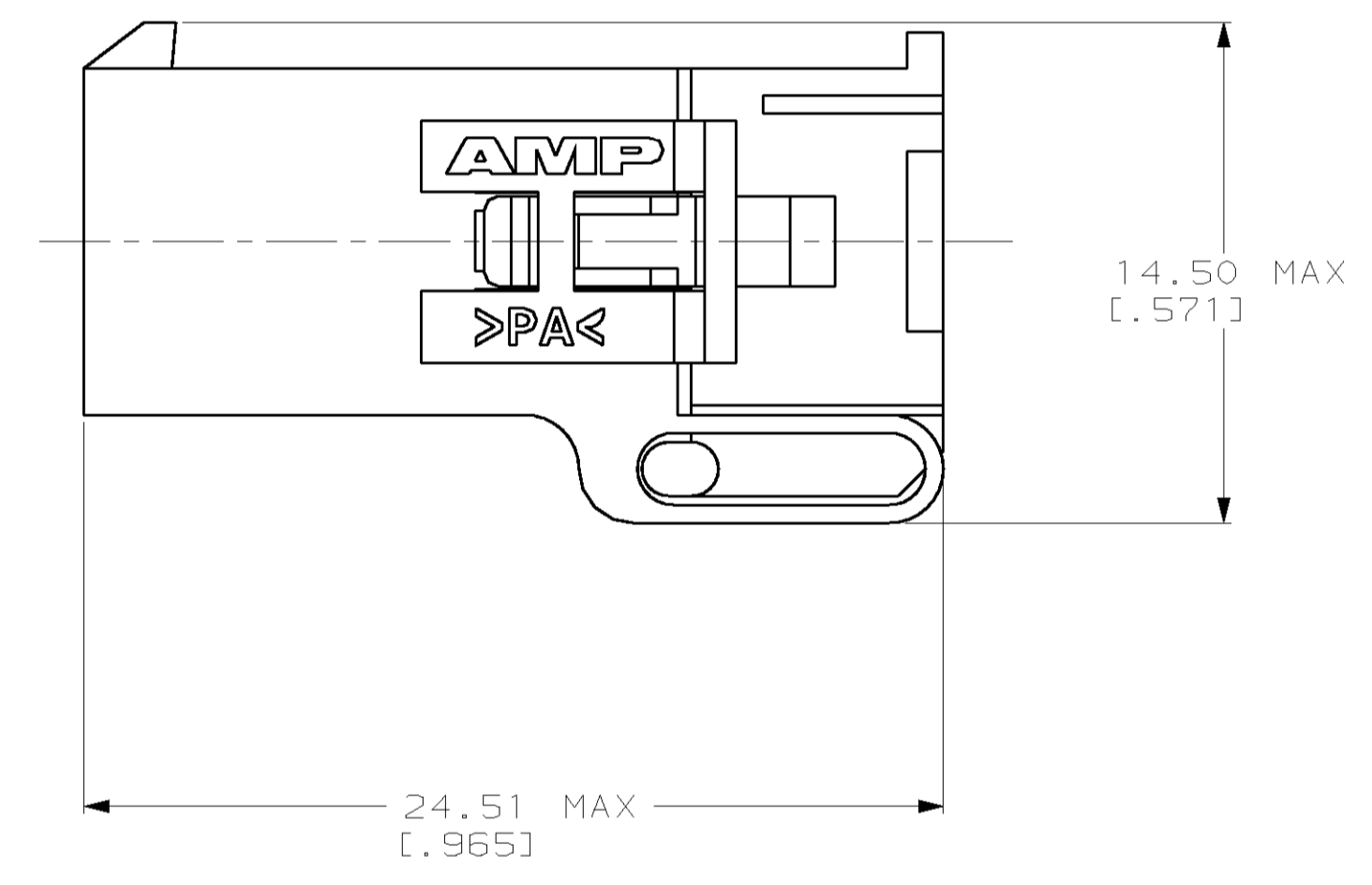
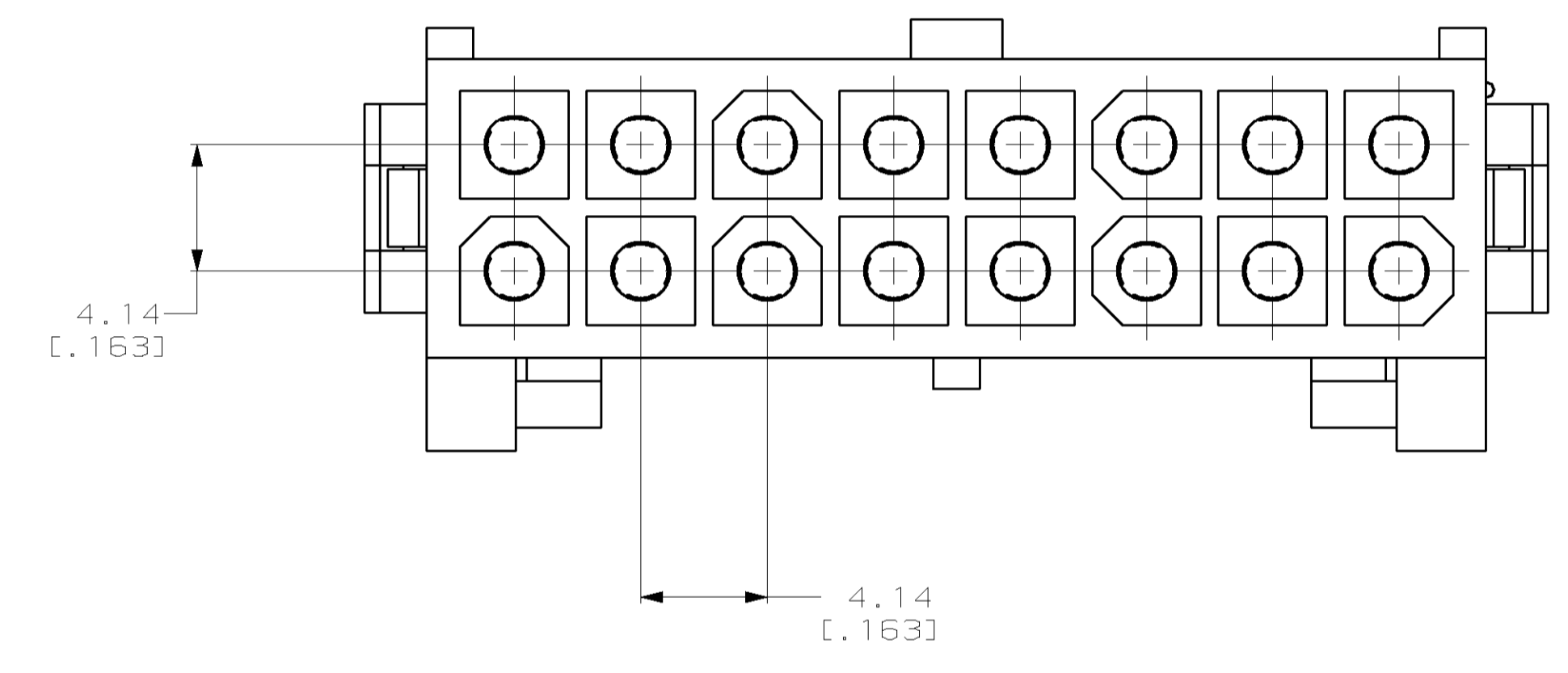


LOC		DIST		REVISIONS				
F	CHR	DATE	BY	APPROV	DESCRIPTION	DATE	BY	APPROV
A		23-SEP-99	KW	KC	REV PER EC 061B-0094-99			



PRE-STAGED CONDITION

1. DIMENSIONS IN BRACKETS ARE IN INCHES.



3-DIMENSIONAL MODEL
NTS

794207-1
PART NUMBER

METRIC

THIS DRAWING IS A CONTROLLED DOCUMENT.		DWN K. WHITAKER 5-19-97	AMP AMP Incorporated Harrisburg, PA 17105-3608
DIMENSIONS:		CHK R. SWING 5-19-97	
mm	TOLERANCES UNLESS OTHERWISE SPECIFIED:	APPROV S. ORSTAD 5-19-97	NAME CAP, 16 CIRCUIT, MINI UNIVERSAL MATE-N-LOK™ 2
0 PLC ±	1 PLC ±	PRODUCT SPEC	SIZE CAGE CODE DRAWING NO
2 PLC ±	3 PLC ±0.13 (.005)	APPLICATION SPEC	A1 00779 C-794207
4 PLC ±	ANGLES ±	WEIGHT	RESTRICTED TO
MATERIAL NYLON, UL 94V-0, NATURAL	FINISH	CUSTOMER DRAWING	SCALE 5:1 SHEET 1 OF 1 REV A