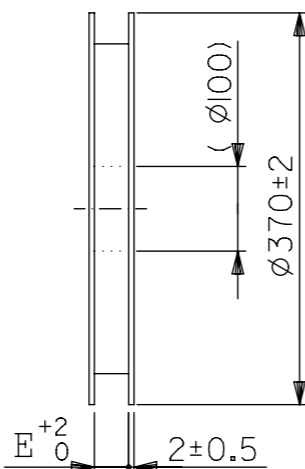
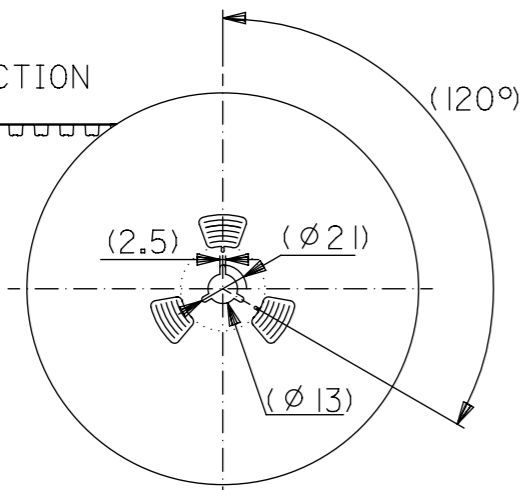
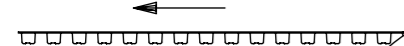


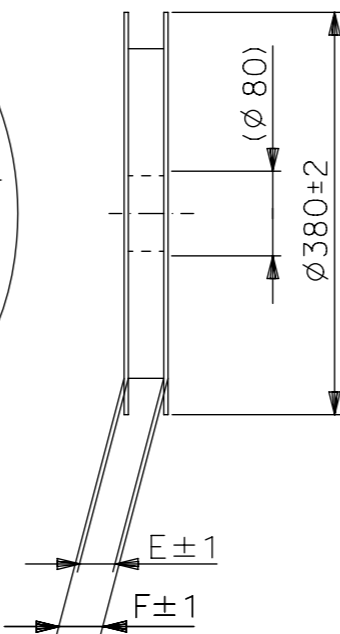
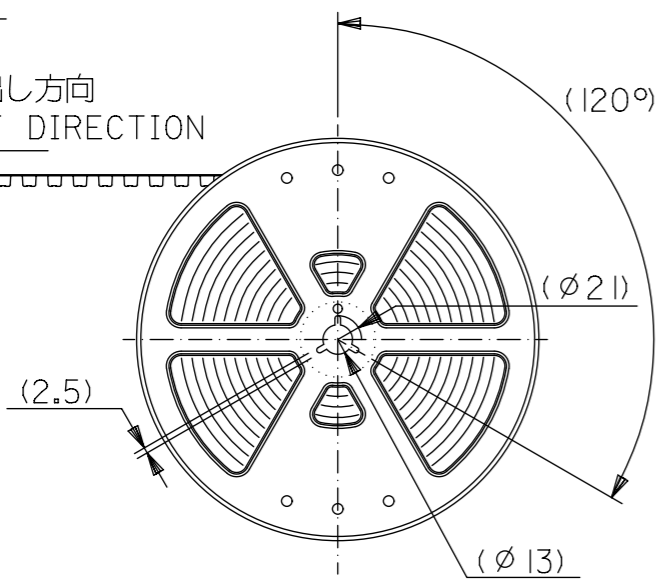
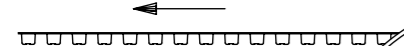
20 ~ 140CKT

引き出し方向  
PULL OUT DIRECTION



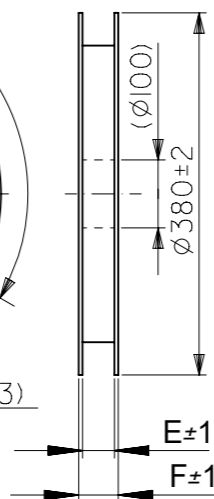
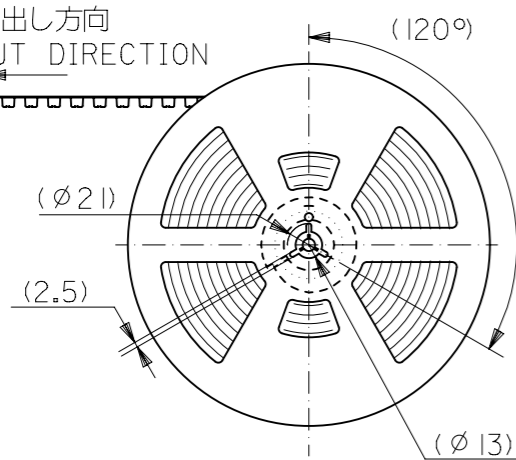
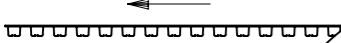
160CKT

引き出し方向  
PULL OUT DIRECTION



180 ~ 200CKT

引き出し方向  
PULL OUT DIRECTION

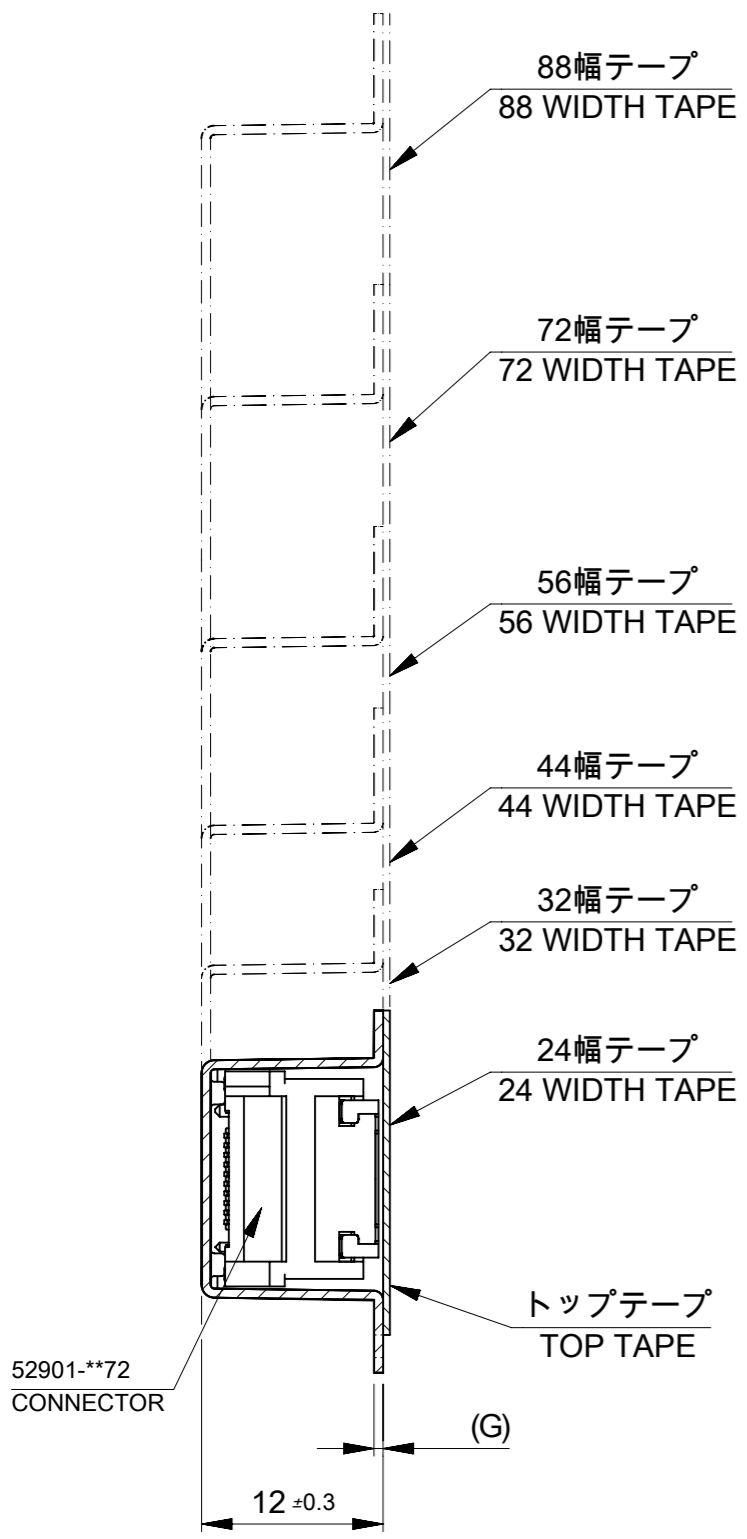
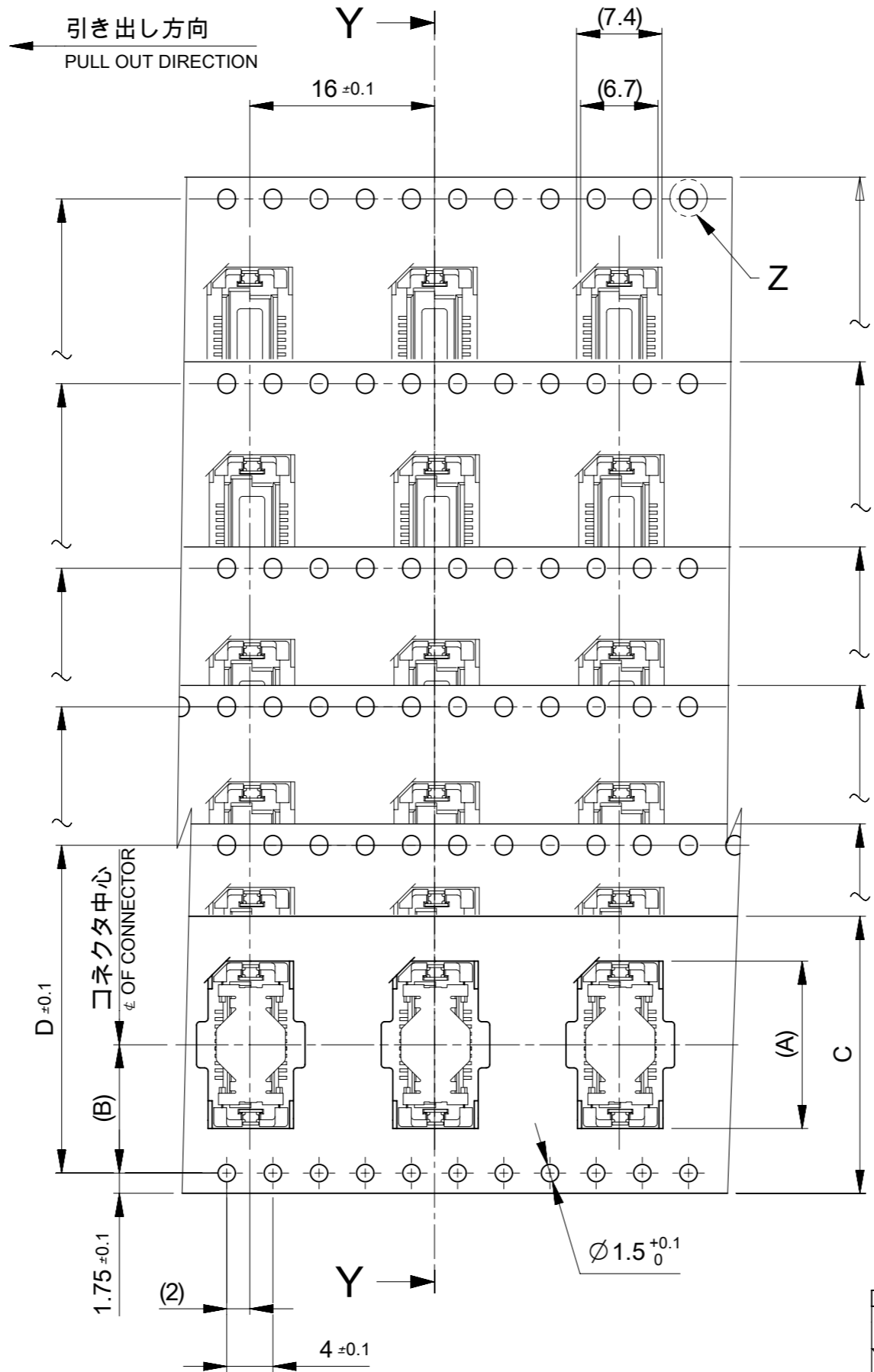


注)

NOTES

- 製品番号 52901-\*\*\*72 の詳細寸法については、SD-52901-008 を参照下さい。  
IN THE PACKAGE ,PART NO.52901-\*\*\*72 DETAILED DIMENSIONS ,SEE SD-52901-008
- 梱包数量 : 440 個/リール  
NUMBER OF CONNECTORS : 440 PCS/REEL
- リードテープ長さ  
LEAD TAPE LENGTH
- 材料  
MATERIAL  
 キャリアテープ : ポリプロピレン (20 ~ 160CKT)  
 ポリスチレン (180P , 200CKT)  
 CARRIER TAPE : POLYPROPYLENE (20 ~ 160CKT)  
 POLYSTYRRNE (180P , 200CKT)  
 トップテープ : PET, PE, PEF  
 TOP TAPE : PET , PE , PEF  
 リール : 紙 (20 ~ 140CKT)  
 ポリスチレン (160 ~ 200CKT)  
 REEL : CARD BOARD (20 ~ 140CKT)  
 POLYSTYRRNE (160 ~ 200CKT)
- 本製品は 52901-\*\*\*4 の鉛フリー品である。  
THIS PRODUCT IS LEAD FREE OF 52901-\*\*\*4.

THIS DRAWING CONTAINS INFORMATION THAT IS PROPRIETARY TO MOLEX ELECTRONIC TECHNOLOGIES, LLC AND SHOULD NOT BE USED WITHOUT WRITTEN PERMISSION		CURRENT REV DESC:		<b>molex</b>	
DIMENSION UNITS	SCALE				
mm	4:1			EMBOSSD TAPE PACKAGE FOR 0.635MM PITCH B-TO-B CONN. REC-LEAD FREE-	
GENERAL TOLERANCES (UNLESS SPECIFIED)				PRODUCT CUSTOMER DRAWING	
ANGULAR TOL	± °			DOCUMENT NUMBER	
4 PLACES	±	EC NO: 649488		SD-52901-009	
3 PLACES	±	DRWN: JFURUKAWA	2020/11/16	DOC TYPE	DOC PART
2 PLACES	±	CHK'D: HSHIMOMIYAMA	2020/11/19	PSD	001
1 PLACE	±	APPR: SHOSHIKAWA	2020/11/19	REVISION	D
0 PLACES	±	INITIAL REVISION:		MATERIAL NUMBER	
		DRWN: MNINOMIYA		CUSTOMER	
		APPR: MSASAO		GENERAL MARKET	
DRAFT WHERE APPLICABLE MUST REMAIN WITHIN DIMENSIONS		THIRD ANGLE PROJECTION	DRAWING	SERIES	SHEET NUMBER
			A3-SIZE	52901	1 OF 2



PS	PS	0.5	94	90	84.4	88±0.3	42.2	71.7	52901-2074	200
								65.4	52901-1874	180
			78	74				59.0	52901-1674	160
				72.4	68.4	72±0.3	34.2	52.6	52901-1474	140
								46.3	52901-1274	120
				56.4	52.4	56±0.3	26.2	39.9	52901-1074	100
								36.8	52901-0974	90
								33.6	52901-0874	80
				44.4	40.4	44±0.3	20.2	30.4	52901-0774	70
								27.2	52901-0674	60
								24.1	52901-0574	50
				32.4	28.4	32±0.3	14.2	20.9	52901-0474	40
								17.7	52901-0374	30
				24.4	-	24±0.3	11.5	14.5	52901-0274	20
リール REEL	キャリアテープ CARRIER TAPE	G	F	E	D	C キャリアテープ幅 CARRIER TAPE WIDTH	B	A	オーダー番号 ORDER NO.	極数 CKT

THIS DRAWING CONTAINS INFORMATION THAT IS PROPRIETARY TO MOLEX ELECTRONIC TECHNOLOGIES, LLC AND SHOULD NOT BE USED WITHOUT WRITTEN PERMISSION

mm SCALE 2:1

GENERAL TOLERANCES (UNLESS SPECIFIED)

ANGULAR TOL ± °

4 PLACES ±

3 PLACES ±

2 PLACES ±

1 PLACE ±

0 PLACES ±

DRAFT WHERE APPLICABLE MUST REMAIN WITHIN DIMENSIONS

THIRD ANGLE PROJECTION

DRAWING A3-SIZE

SERIES 52901

MATERIAL NUMBER SEE CHART

CUSTOMER GENERAL MARKET

SHEET NUMBER 2 OF 2

CURRENT REV DESC:

EC NO: 649488

DRWN: JFURUKAWA 2020/11/16

CHK'D: HSHIMOMIYA 2020/11/19

APPR: SHOSHIKAWA 2020/11/19

INITIAL REVISION:

DRWN: MNINOMIYA 2004/03/23

APPR: MSASAO 2004/03/23

DOCUMENT NUMBER SD-52901-009

DOC TYPE PSD

DOC PART 001

REVISION D

**molex**

EMBOSSED TAPE PACKAGE  
FOR 0.635MM PITCH B-TO-B CONN. REC-LEAD  
FREE-

PRODUCT CUSTOMER DRAWING