

THIS DRAWING IS UNPUBLISHED. VERTRÄULICHE UNVERÖFFENTLICHTE ZEICHNUNG. RELEASED FOR PUBLICATION FREI FÜR VERÖFFENTLICHUNG. 2014. MATED WITH: PASSEND ZU: 2014. ALL RIGHTS RESERVED. ALLE RECHTE VORBEHALTEN.

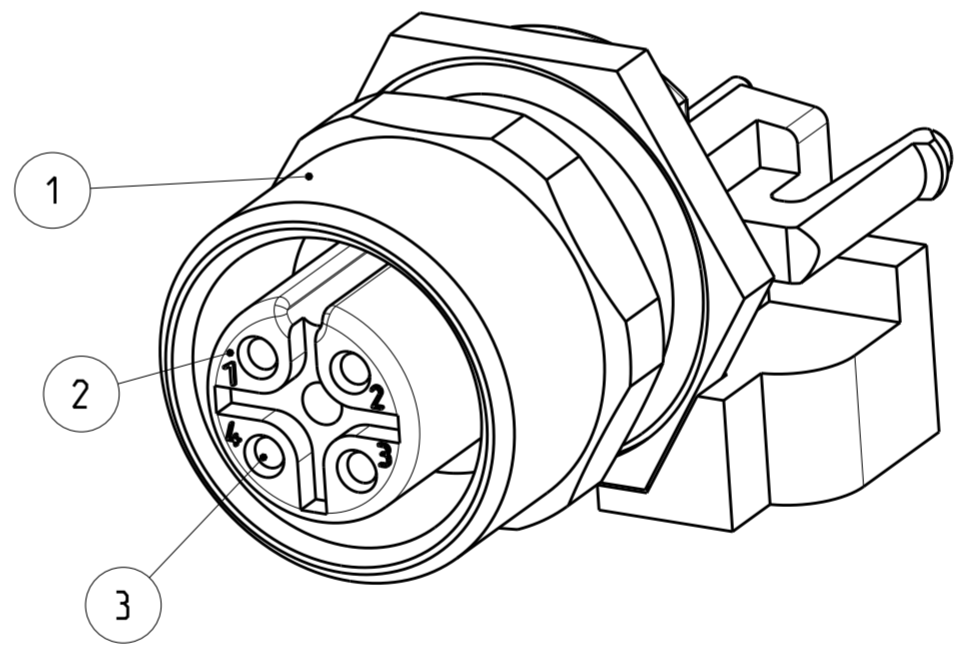
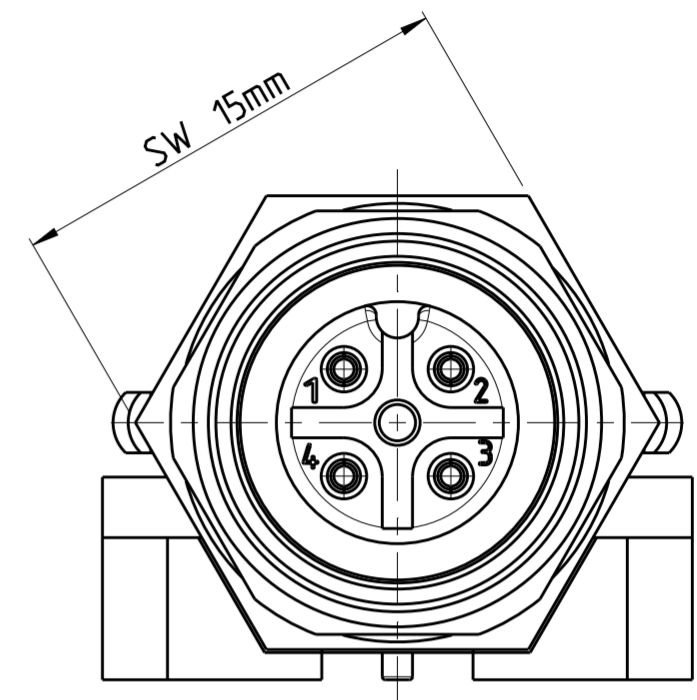
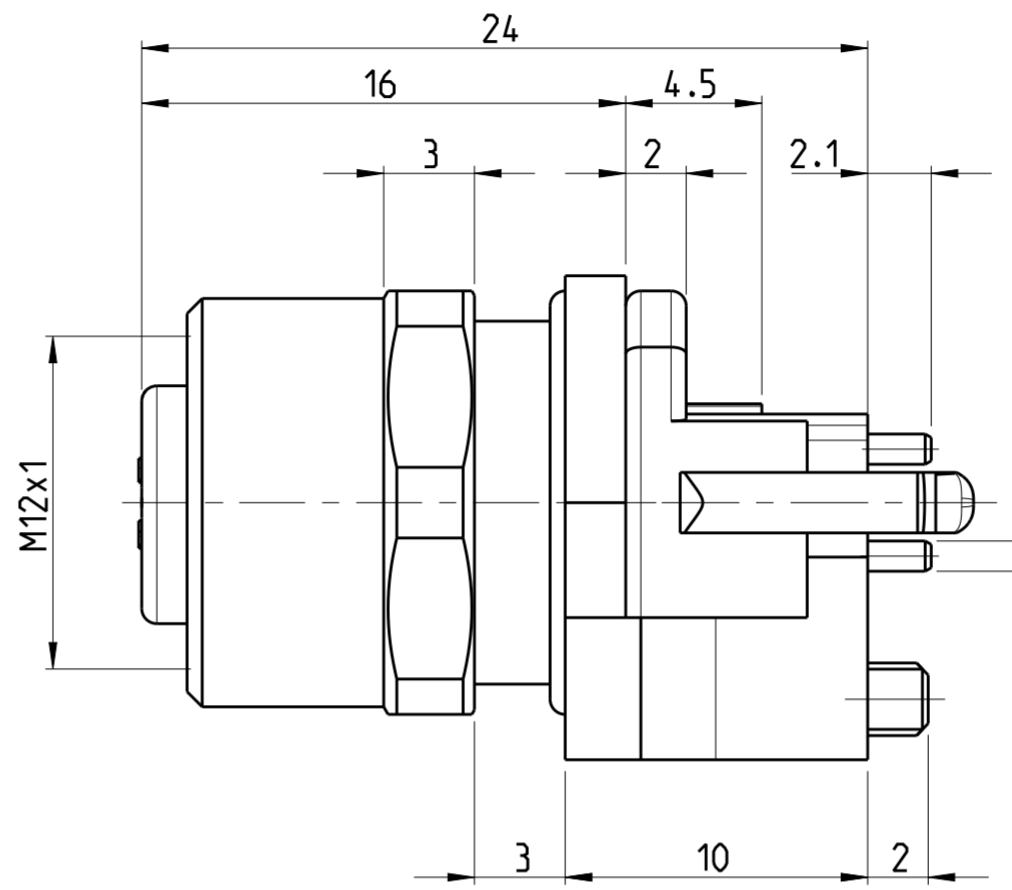
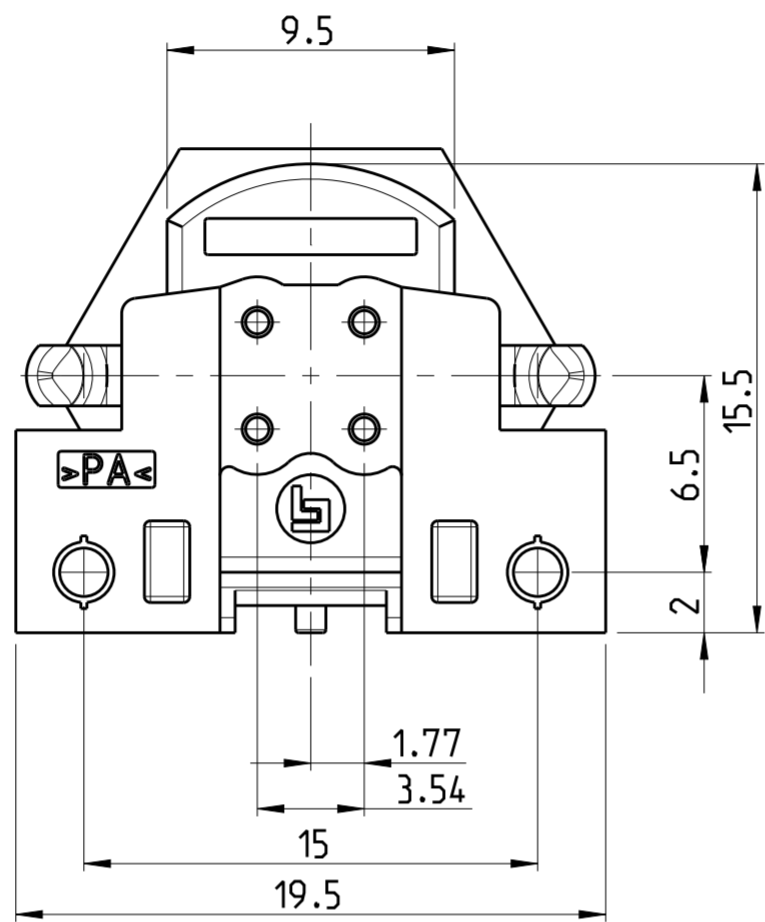
PROJEKT NR.: PRJ-11-000004377

P	LTR	REVISIONS ÄNDERUNGEN DESCRIPTION BESCHREIBUNG	DATE	DWN	APVD
	A	NEW RELEASE	28NOV2014	CR	JK

⚠ MATERIAL: ITEM NO. 1: HOUSING - CuZn (BRASS, NICKEL PLATED)
 ITEM NO. 2: CONTACT BODY - PA
 ITEM NO. 3: CONTACT - CuSn (BRONZE)
 CONTACT FINISH - Au (GOLD)

2 ALL DIMENSIONS ARE FOR NOMINAL REFERENCE ONLY UNLESS OTHERWISE STATED

TECHNICAL DATA	3-2172078-2	4-2172078-2	5-2172078-2
RATED VOLTAGE	250V	125V	60V
RATED IMPULSE VOLTAGE	2500V	1500V	800V
POLLUTION DEGREE	3	3	3
OVERVOLTAGE CATEGORY	II	II	II
MATERIAL GROUP	III	III	III
RATED CURRENT	4A	4A	2A
VOLUME RESISTIVITY	≤ 3mΩ	≤ 3mΩ	≤ 3mΩ
DEGREE OF PROTECTION	IP68	IP68	IP68
UPPER TEMPERATURE	+85 °C	+85 °C	+85 °C
LOWER TEMPERATURE	-40 °C	+40 °C	+40 °C



PIN ARRANGEMENT
A-CODING (SCALE 2:1)

3-2172078-2	4-2172078-2	5-2172078-2

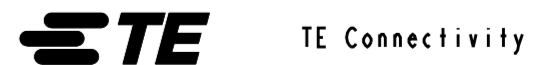
CONDUCTOR LAYOUT

--	--	--

SIZE ISO 14405 (E)

DIESE ZEICHNUNG IST EIN KONTROLLIERTES DOKUMENT. BEMASSUNGEN UND TOLERANZEN GEMAESS GPS (ISO STANDARDS).		DWN YASHKUMAR 09AUG2014	
THIS DRAWING IS A CONTROLLED DOCUMENT. DIMENSIONING AND TOLERANCING PER GPS (ISO STANDARDS).		CHK M. BRUBAKER 09AUG2014	
DIMENSIONS: MASSEINHEITEN: (MM)		APVD M. BRUBAKER 09AUG2014	
TOLERANCES UNLESS OTHERWISE SPECIFIED: ALLGEMEINTOLERANZEN		NAME M. BRUBAKER	
0 PLC ±		PRODUCT SPEC 108-19483	
1 PLC ±		APPLICATION SPEC	
2 PLC ±		VERARBEITUNGSSPEZ 114-32127	
3 PLC ±		WEIGHT -	
4 PLC ±		Customer Drawing	
ANGLES/WINKEL ±		SCALE MASSSTAB 2:1	
FINISH/OBERFLÄCHE/FARBE		SHEET BLATT 1 OF 1	

⚠	8	5-2172078-2
⚠	5	4-2172078-2
⚠	4	3-2172078-2
MATERIAL	NUMBER OF POLES	TE-PART-NO.



M12 RECEPTACLE, PCB ASSEMBLY, STRAIGHT, SHIELDED CONNECTOR, A-CODED

SIZE A2	CAGE CODE 00779	DRAWING NO. ZEICHNUNGS-NR. C-2172078	RESTRICTED TO NUR FÜR -
/KUNDENZEICHNUNG		SCALE MASSSTAB 2:1	REV A