

XCRT315

Limit switch, Limit switches XC Standard, XCRT, polyester enclosure stainless steel roller with lever, 2C/O



Main

Range of Product	OsiSense XC
Series name	Special format
Product or Component Type	Limit switch
Product Specific Application	For conveyor belt shift monitoring
Device short name	XCRT
Sensor design	-
Body type	Fixed
Head type	Rotary head
Material	Polyester
Fixing Mode	By the body
Movement of operating head	Rotary
Type of operator	Spring return roller stainless steel with lever
Type of approach	Lateral approach, 2 directions
Electrical connection	Screw-clamp terminals 1 x 0.5...2 x 2.5 mm ²
Number of poles	2
Contacts type and composition	2 C/O
Contact operation	Snap action
Contact block per direction [control circuit]	2 per direction
Positive opening	Without

Complementary

Body Material	Polyester
Switch actuation	By conveyor belt
Cable entry	1 entry tapped for Pg 13.5 cable gland 0.35...0.47 in (9...12 mm) NF C 68-300
Contacts insulation form	Za
Number of steps	2
Minimum torque for tripping	8.85 lbf.in (1 N.m)
Minimum actuation speed	0.01 m/min
Tripping angle	10 ° fault signalling 18 ° stopping of the conveyor belt
Maximum displacement angle	-70 ° 70 °
Contact code designation	A300, AC-15 (U _e = 240 V), I _e = 3 A EN/IEC 60947-5-1 appendix A Q300, DC-13 (U _e = 250 V), I _e = 0.27 A EN/IEC 60947-5-1 appendix A
[U _i] rated insulation voltage	300 VUL 508 500 V 3)IEC 60947-1 500 V 3)VDE 0110 300 VCSA C22.2 No 14
Maximum resistance across terminals	25 MOhm IEC 60255-7 category 3
[U _{imp}] rated impulse withstand voltage	6 KV IEC 60664 6 KV IEC 60947-1
Short-circuit protection	10 A cartridge fuse gG

The information provided in this documentation contains general descriptions and/or technical characteristics of the performance of the products contained herein. This documentation is not intended as a substitute for and is not to be used for determining suitability or reliability of these products for specific user applications. It is the duty of any such user or integrator to perform the appropriate and complete risk analysis, evaluation and testing of the products with respect to the relevant specific application or use thereof. Neither Schneider Electric Industries SAS nor any of its affiliates or subsidiaries shall be responsible or liable for misuse of the information contained herein.

Electrical durability	5000000 Cycles, DC-13, inductive, 120 V, 4 W 60 cyc/mn 0.5 IEC 60947-5-1 appendix C 5000000 Cycles, DC-13, inductive, 24 V, 7 W 60 cyc/mn 0.5 IEC 60947-5-1 appendix C 5000000 cycles, DC-13, inductive, 48 V, 10 W 60 cyc/mn 0.5 IEC 60947-5-1 appendix C
Mechanical durability	300000 cycles
Width	3.35 in (85 mm)
Height	3.74 in (95 mm)
Depth	2.95 in (75 mm)
Net Weight	2.55 lb(US) (1.155 kg)
Terminals description ISO n°1	(11-12)NC (13-14)NO

Environment

Shock resistance	30 gn 18 ms IEC 60068-2-27
Vibration resistance	9 gn 10...500 Hz)IEC 60068-2-6
IP degree of protection	IP65 conforming to IEC 60529
Overvoltage category	Class I IEC 61140 Class I NF C 20-030
Ambient Air Temperature for Operation	-13...158 °F (-25...70 °C)
Ambient Air Temperature for Storage	-40...158 °F (-40...70 °C)
Protective treatment	TC
Standards	IEC 60204-1 NF C 79-130 IEC 60947-5-1 CSA C22.2 No 14 EN 60204-1 EN 60947-5-1

Ordering and shipping details

Category	22449-LIMIT SWITCHES,ACCESSORIES
Discount Schedule	T
GTIN	3389110660982
Nbr. of units in pkg.	1
Package weight(Lbs)	3.56 lb(US) (1.614 kg)
Returnability	No
Country of origin	FR

Packing Units

Unit Type of Package 1	PCE
Package 1 Height	4.84 in (12.3 cm)
Package 1 width	3.54 in (9 cm)
Package 1 Length	12.40 in (31.5 cm)
Unit Type of Package 2	S03
Number of Units in Package 2	6
Package 2 Weight	22.44 lb(US) (10.18 kg)
Package 2 Height	11.81 in (30 cm)
Package 2 width	11.81 in (30 cm)
Package 2 Length	15.75 in (40 cm)

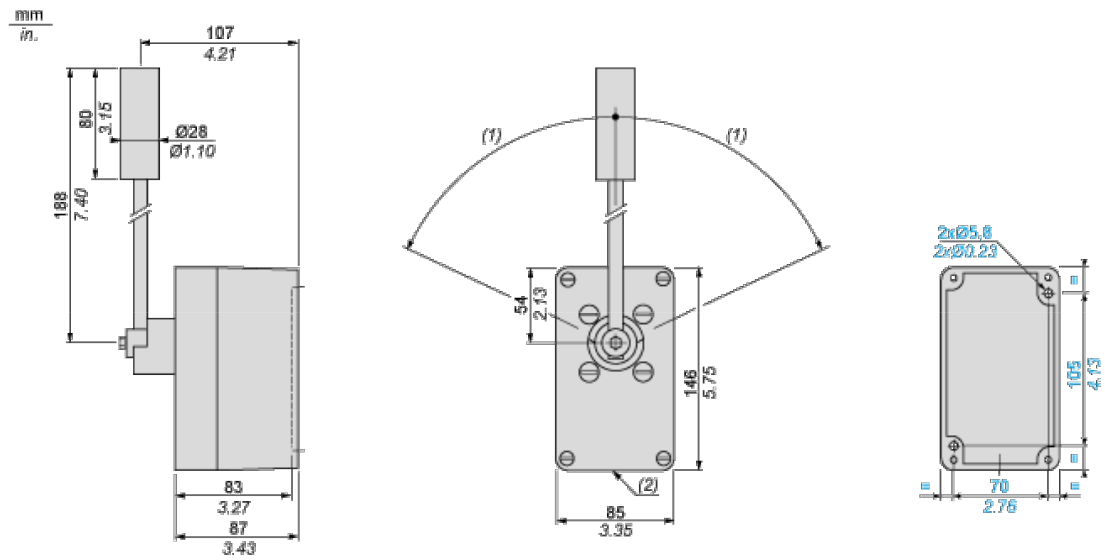
Offer Sustainability

Sustainable offer status	Green Premium product
California proposition 65	WARNING: This product can expose you to chemicals including: Diisononyl phthalate (DINP), which is known to the State of California to cause cancer, and Di-isodecyl phthalate (DIDP), which is known to the State of California to cause birth defects or other reproductive harm. For more information go to www.P65Warnings.ca.gov
REACH Regulation	REACH Declaration
EU RoHS Directive	Pro-active compliance (Product out of EU RoHS legal scope) EU RoHS Declaration
Mercury free	Yes
RoHS exemption information	Yes
Environmental Disclosure	Product Environmental Profile

Contractual warranty

Warranty	18 months
----------	-----------

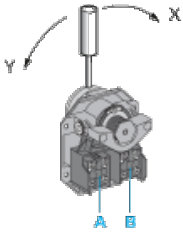
Dimensions



- (1) 70° max.
- (2) 1 plain entry for Pg 13.5 cable gland

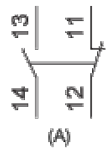
Wiring Diagram

2 Single-pole CO Snap Action



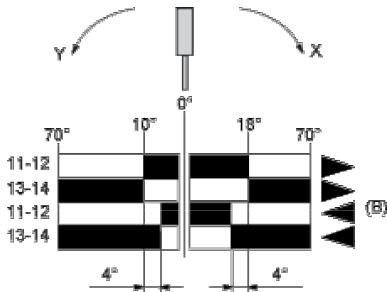
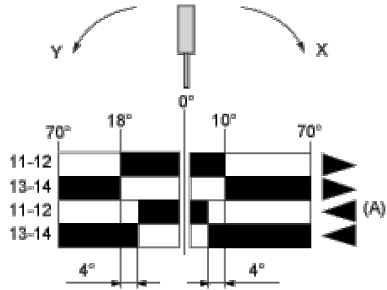
- (A) 1st contact
- (B) 2nd contact

2 Single-pole CO Snap Action



- (A) 1st contact
- (B) 2nd contact

Functionnal Diagram



- (1)
- (2)
- ▶ (3)
- ◀ (4)

- (A) 1st contact
- (B) 2nd contact
- (1) Closed
- (2) Open
- (3) Tripping
- (4) Resetting