

Type PMA-DS-01-Q1S
Panel Mount Fuse Holder
1/4" x 1 1/4" (6.3 x 32mm) Fuses
Driver / Screw

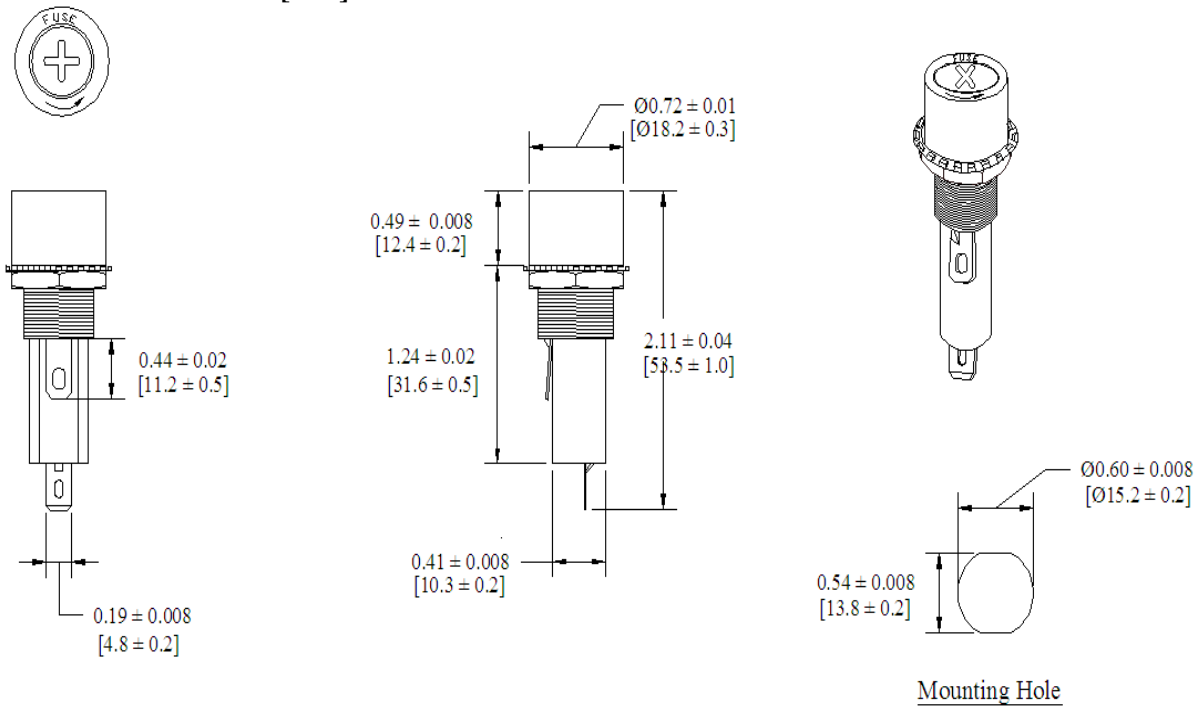


www.optifuse.com (619) 593-5050

Electrical Rating: 10A, 250V AC
Fuse Style: 1/4" x 1 1/4" (6.3 x 32mm)
Material:
Frame and Cap: Phenolic (UL flame: 94V-1)
Terminals: Nickel-plated brass
Cap: Slotted Driver type, Screw type
Mounting: by nut
Terminal: Solder/Quick-Connect 4.8mm / 0.187"
Panel Thickness: 0.5 ~ 5mm
Agency Standards and Listings:



Product Dimensions: Inches [mm]



Warning:



- Operation beyond the specified maximum ratings or improper use may result in damage and possible electrical arcing and/or flame.
- Fuse Holders are not intended for circuit disconnect. All power should be disconnected before removing fuse.
- Avoid contact of Fuse Holder with chemical solvent. Prolonged contact may damage the device performance.