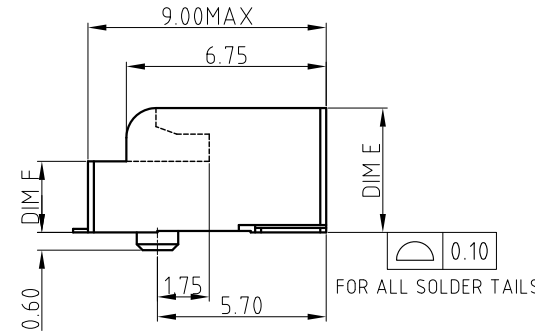
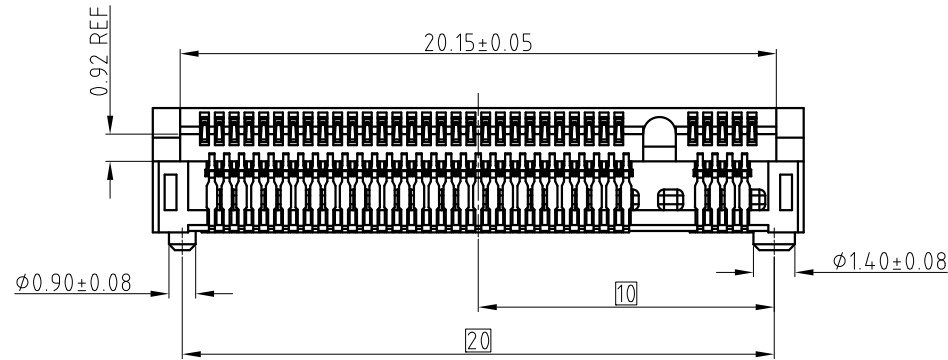
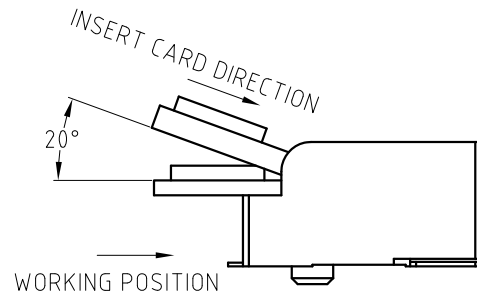
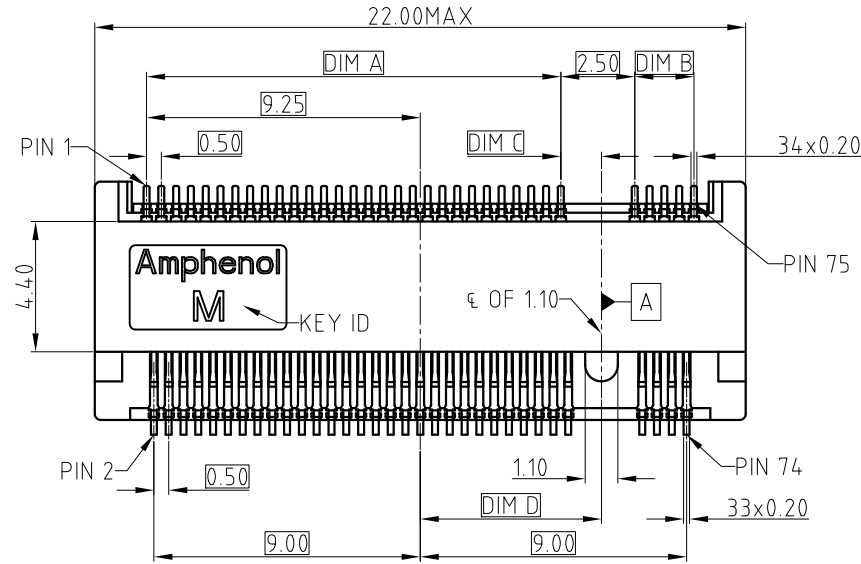


This document is the property of Amphenol Corporation and is delivered on the express condition that it is not to be disclosed, reproduced or used, in whole or in part, for manufacture or sale by anyone other than Amphenol Corporation without its prior consent, & that no right is granted to disclose or to use any information in this document.

# CUSTOMER DRAWING

## REVISIONS

SYM	ECN	DESCRIPTION	DATE	APPROVED
1	CDXXXX	NEW RELEASE	SEP.25,2013	YH
2	CDXXXX	UPDATE DRAWING	SEP.26,2013	YH
3	CDXXXX	UPDATE DRAWING	NOV.22,2013	YH
4	CDXXXX	ADD A DIMENSION AND UPDATE DRAWING	APR.30,2014	YH



### NOTE:

- MATERIAL:  
PLASTIC: LCP, UL 94V-0, BLACK  
CONTACT: COPPER ALLOY  
BOARD LOCK: ALLOY
- FINISHED:  
CONTACT AREA: SEE P/N SYSTEM  
SOLDER AREA: GOLD FLASH  
BOARD LOCK: TIN PLATING  
UNDERPLATED: NI PLATING
- ELECTRICAL PERFORMANCE:  
3.1 CURRENT RATING: 0.5A PER PIN, VOLTAGE RATING: 50 VAC PER PIN  
3.2 DIELECTRIC STRENGTH: 300V AC FOR 1 MINUTE  
3.3 INSULATION RESISTANCE: 500MΩ MIN  
3.4 CONTACT RESISTANCE: 55mΩ MAX  
3.5 OPERATION TEMPERATURE: -40°C TO +80°C
- DIMENSIONING SHALL BE INTERPRETED PER ASME Y14.5M 1994
- MATERIAL SHOULD BE FULFILLED AMPHENOL SPEC# S-SN-002 FOR HALOGEN FREE PRODUCTS, ALSO NEED TO MEET # S-SN-004



### ORDER P/N SYSTEM:

MDT XXX X XX 001

### CONNECTOR HEIGHT

XXX	DIM E	DIM F
580	5.80MAX	4.14MAX
420	4.20MAX	2.54MAX
320	3.20MAX	1.54MAX
275	2.75MAX	0.89MAX
245	2.45MAX	0.61MAX

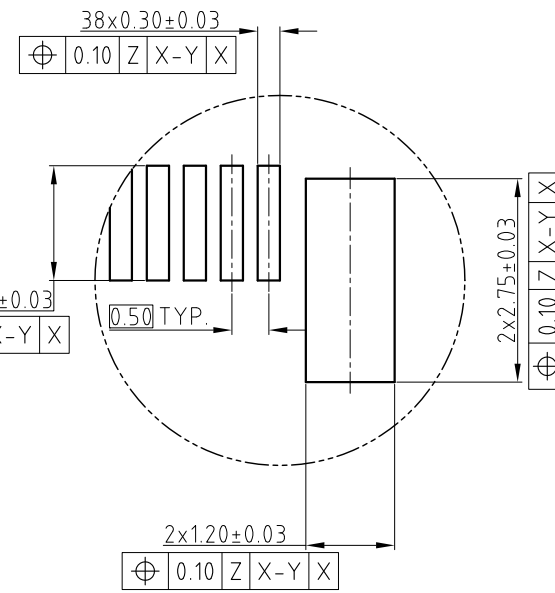
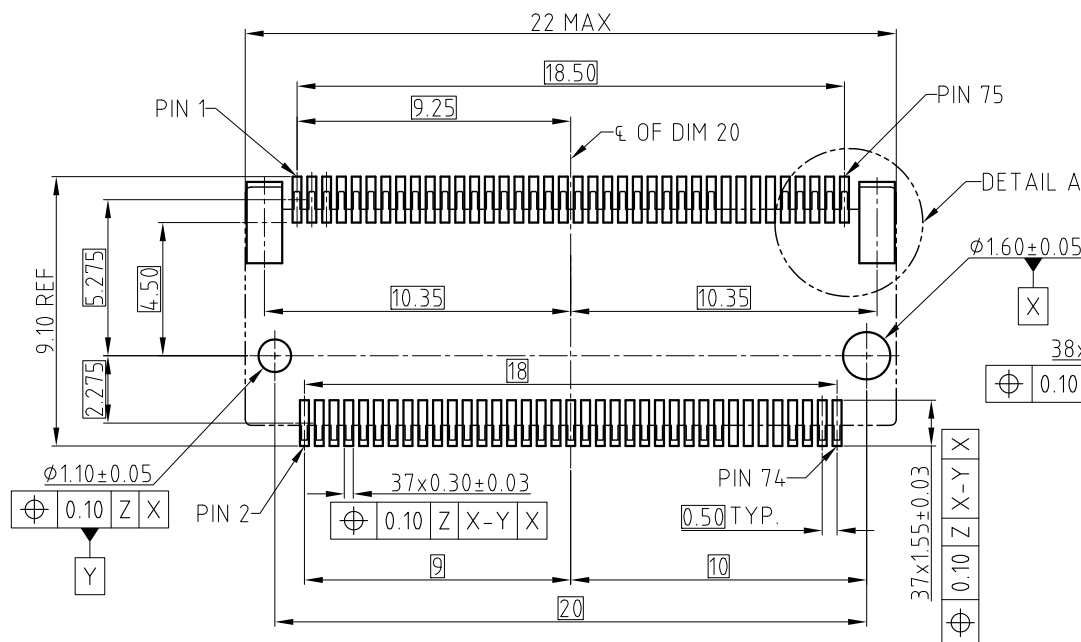
### PLATING

- 01 0.76 MICRONS GOLD PLATING
- 02 0.38 MICRONS GOLD PLATING
- 03 GOLD FLASH

### CONNECTOR KEY ID

- A - KEY A
- B - KEY B
- E - KEY E
- M - KEY M
- ...

## PROPOSAL DRAWING



RECOMMENDED M.2 MINI CARD MOUNTING TYPE\_SMT\_PCB OUTLINE  
DATUM Z: PCB SOLDER SURFACE

DETAIL A  
SCALE 2.5:1

M	14.0	2.0	1.375	6.125	
E	5.5	10.5		-2.625	
B	2.5	13.5	1.125	-5.625	
A	1.5	14.5		-6.625	
KEY ID	DIM.A	DIM.B	DIM.C	DIM.D	REMARK

UNLESS OTHERWISE SPECIFIED TOLERANCES		APPROVAL		DATE	
U.S.	METRIC	DRAWN	Yunx.liu	APR.30,2014	
.X	+/-	CHECKED	LY.YI	APR.30,2014	
.XX	+/-	APPROVED			
.XXX	+/-	DRAWING FILE :			
FRACTIONS	+/-	DRAWING\MDT\CMDTXXXXXX001			
ANGLES	+/-	ANGLE OF PROJECTION			
REMOVE SHARP EDGES					
DIMENSIONS					
U.S.	INCHES				
(METRIC)	(MM)				

Amphenol		
TITLE		
M.2 MINI PCIe CONECTOR		
SIZE	DRAWING NO.	REV.
A3	C MDT-XXX-X-XX-001	4
SCALE	NONE	SHEET 1 OF 1