

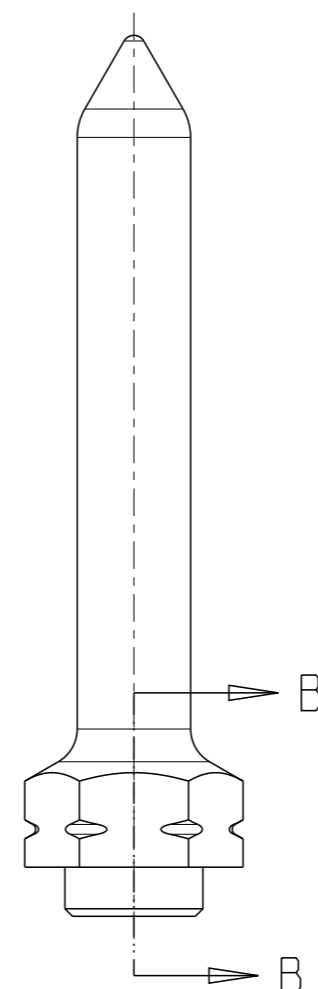
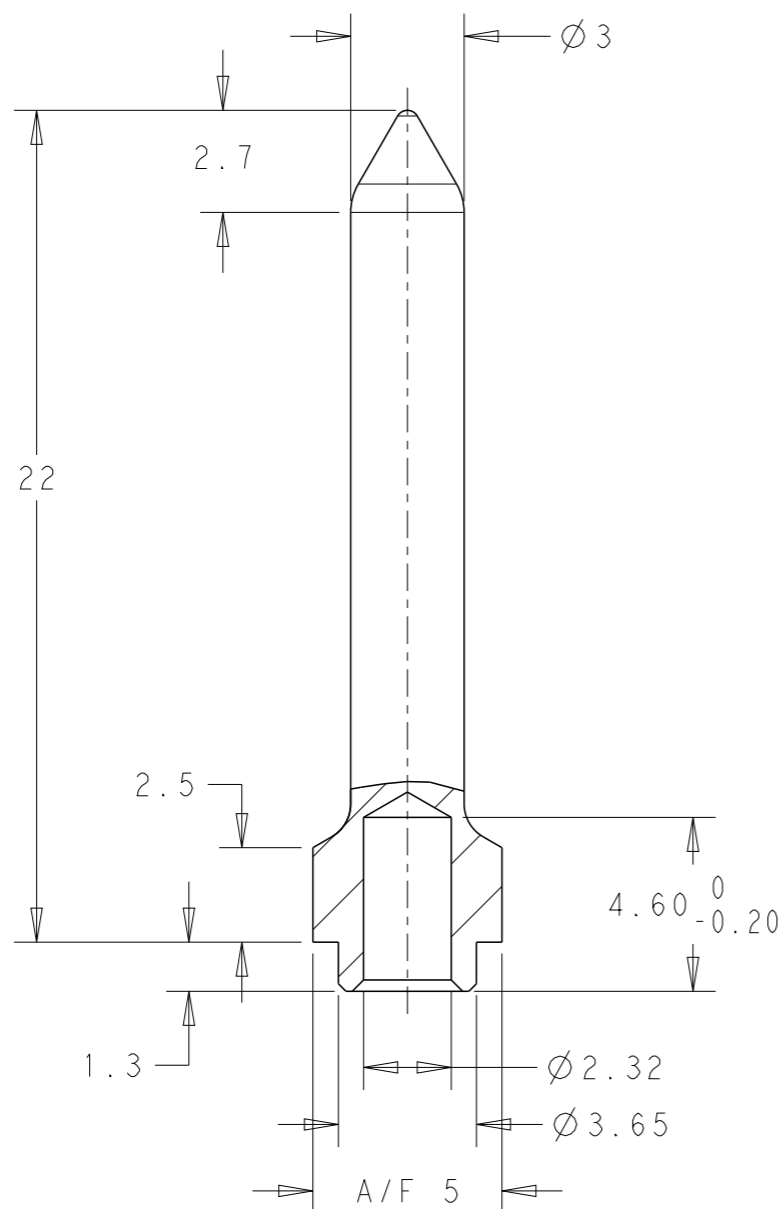
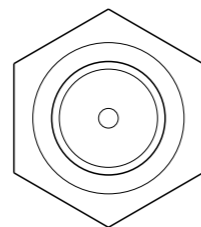
REVISIONS

P	LTR	DESCRIPTION	DATE	DWN	APVD
	A2	REVISED PER ECO-17-013551	28DEC2017	A.S	H.L
	B	REVISED PER ECN-22-161597	28JUN2022	NV	HL

NOTE :


① RAW MATERIAL : CARBON STEEL

② FINISH : Ag with passivation over Cu.



SECTION B - B
SCALE 5:1

OLD PART NUMBER	TE PART NUMBER
C39228-A297-C11	1-1393495-0

THIS DRAWING IS A CONTROLLED DOCUMENT.		DWN	Vabesien	24.10.02	 TE Connectivity					
DIMENSIONS: mm		CHK	-	-				NAME		
TOLERANCES UNLESS OTHERWISE SPECIFIED:		APVD	-	-				PRE-MATING PIN		
0 PLC ±-		PRODUCT SPEC	-	-				C39228-A297-C11-**-*		
1 PLC ±-		APPLICATION SPEC	-	-	SIZE	CAGE CODE	DRAWING NO	RESTRICTED TO		
2 PLC ±-		WEIGHT	-	-	A3	00779	C-1-1393495-0	-		
3 PLC ±-		CUSTOMER DRAWING		SCALE	5:1	SHEET	1 OF 1	REV		
4 PLC ±-								B		
ANGLES ±-										
FINISH										
MATERIAL										
①										
②										