

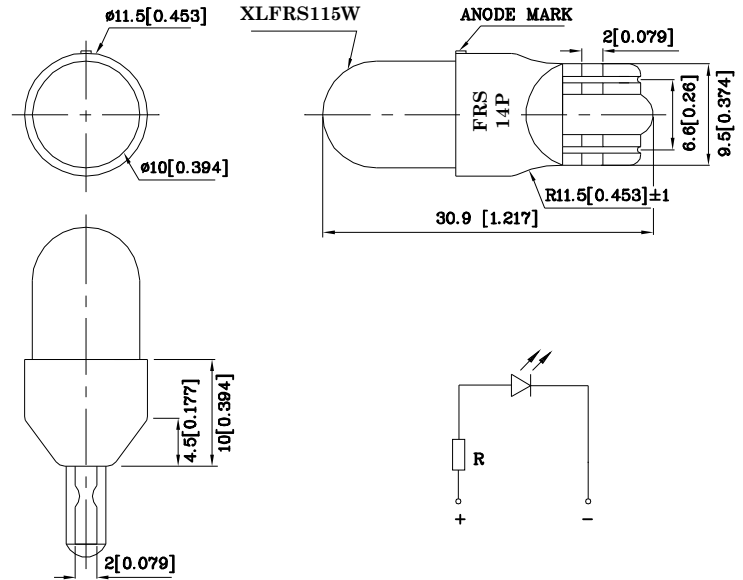
### Features

- Long life and robust package
- Low power consumption
- Vibration resistant
- 14V internal resistor
- RoHS Compliant



**ATTENTION**  
OBSERVE PRECAUTIONS  
FOR HANDLING  
ELECTROSTATIC  
DISCHARGE  
SENSITIVE  
DEVICES

### Package Schematics



#### Notes:

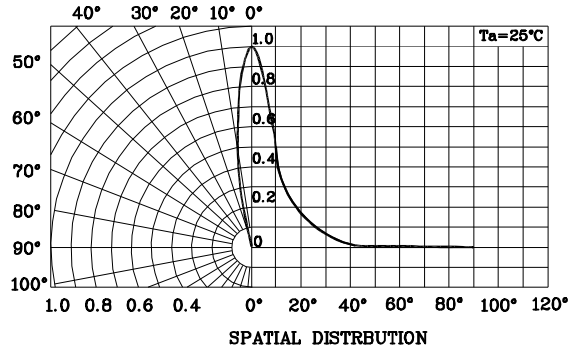
1. All dimensions are in millimeters (inches).
2. Tolerance is  $\pm 0.25 (0.01)$  unless otherwise noted.
3. Specifications are subject to change without notice.

Absolute Maximum Ratings ( $T_A=25^\circ\text{C}$ )		FRS (InGaN)	Unit
Reverse Voltage	VR	5	V
Forward Voltage	VF	16	V
Power Dissipation	PD	320	mW
Operating Temperature	TA	-40 ~ +70	°C
Storage Temperature	Tstg	-40 ~ +85	
Electrostatic Discharge Threshold (HBM)		250	v

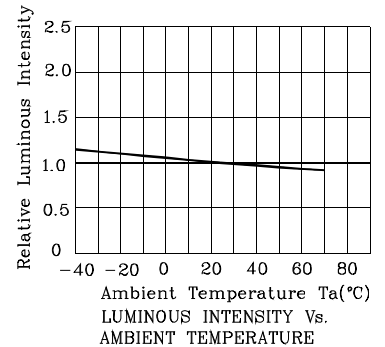
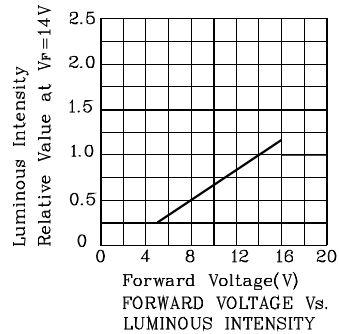
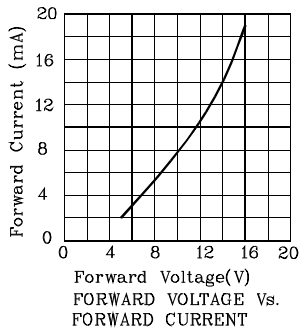
Operating Characteristics ( $T_A=25^\circ\text{C}$ )		FRS (InGaN)	Unit
Forward Current (Typ.) ( $V_F=14\text{V}$ )	IF	14	mA
Forward Current (Max.) ( $V_F=14\text{V}$ )	IF	20	mA
Reverse Current (Max.) ( $V_R=5\text{V}$ )	IR	50	uA
Chromaticity Coordinates (Typ.)	X	0.51	
	Y	0.42	

Part Number	Emitting Color	Emitting Material	Lens-color	Luminous Intensity CIE127-2007* ( $V_F=14\text{V}$ ) med		Viewing Angle 20 1/2
				min.	typ.	
XYWFRS101WYSF14V	Incandescent	InGaN	Water Clear	6000*	8990*	20°

\*Intensity intensity value is in accordance with CIE127-2007 standards.

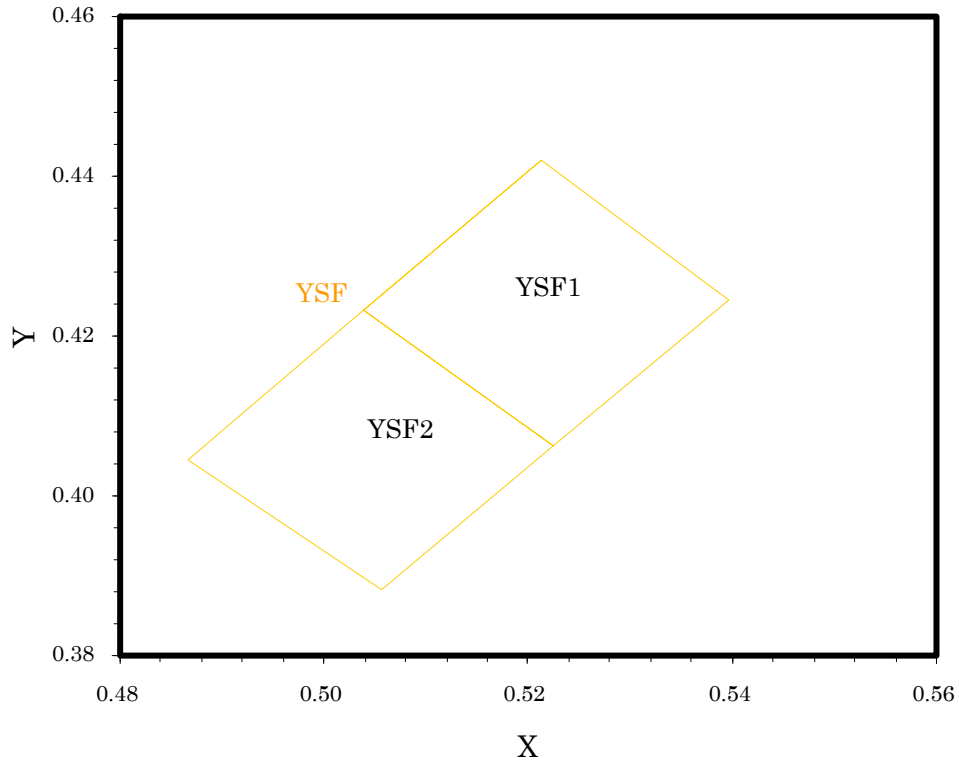


❖ FRS



XYWFRS101WYSF14V

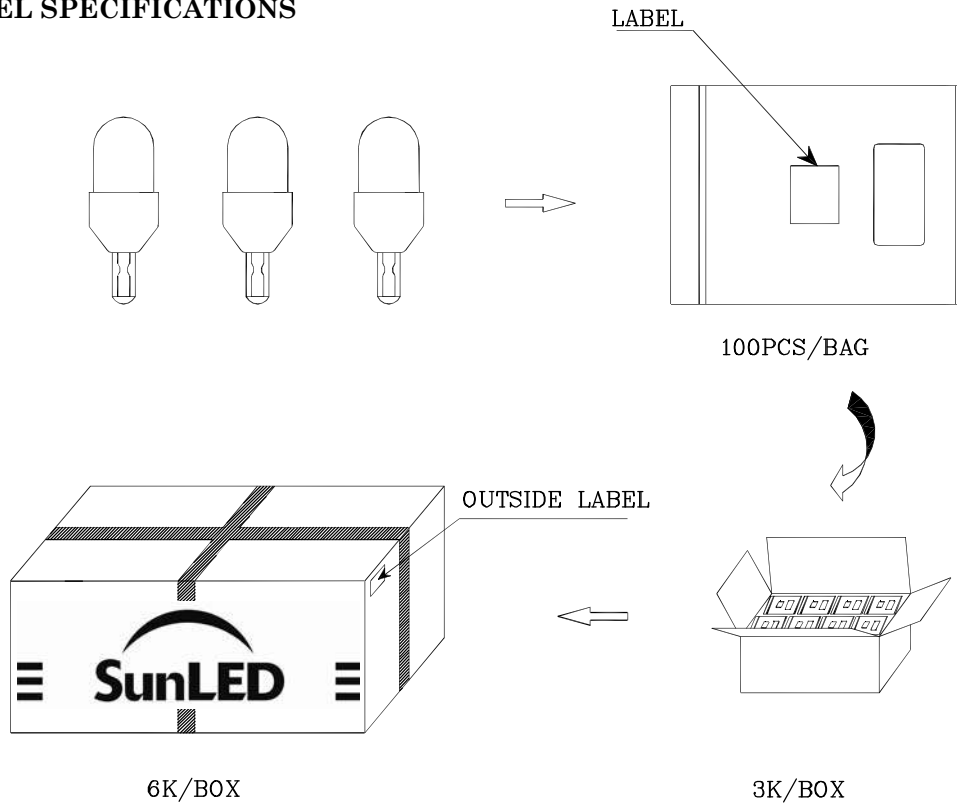

CIE 1931

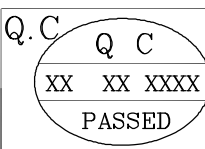



Bin code	x	y	Bin code	x	y
YSF1	0.5212	0.4220	YSF2	0.5038	0.4232
	0.5038	0.4232		0.4866	0.4045
	0.5225	0.4063		0.5055	0.3882
	0.5396	0.4246		0.5225	0.4063
	0.5212	0.4220		0.5038	0.4232

Notes:  
 Shipment may contain more than one chromaticity regions.  
 Orders for single chromaticity region are generally not accepted.  
 Measurement tolerance of the chromaticity coordinates is  $\pm 0.02$ .

**PACKING & LABEL SPECIFICATIONS**

	
P/NO : XYWxxx101x	
QTY : 100 pcs	CODE: XXX
S/N : XX	
LOT NO:	
	
RoHS Compliant	

**TERMS OF USE**

1. Data presented in this document reflect statistical figures and should be treated as technical reference only.
2. Contents within this document are subject to improvement and enhancement changes without notice.
3. The product(s) in this document are designed to be operated within the electrical and environmental specifications indicated on the datasheet.  
User accepts full risk and responsibility when operating the product(s) beyond their intended specifications.
4. The product(s) described in this document are intended for electronic applications in which a person's life is not reliant upon the LED. Please consult with a SunLED representative for special applications where the LED may have a direct impact on a person's life.
5. The contents within this document may not be altered without prior consent by SunLED.
6. Additional technical notes are available at <http://www.SunLEDusa.com/TechnicalNotes.asp>