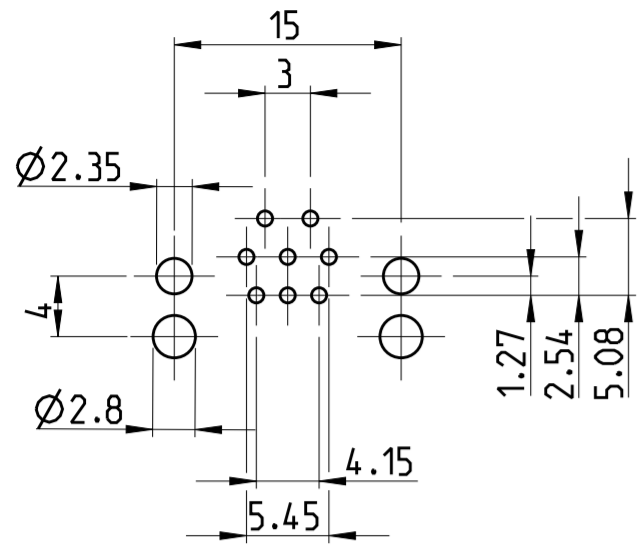


THIS DRAWING IS UNPUBLISHED.
 VERTRÄULICHE UNVERÖFFENTLICHTE ZEICHNUNG
 © COPYRIGHT 2014 Tyco Electronics AMP GmbH
 RELEASED FOR PUBLICATION
 FREI FÜR VERÖFFENTLICHUNG
 2014
 ALL RIGHTS RESERVED.
 ALLE RECHTE VORBEHALTEN.
 MATED WITH:
 PASSEND ZU:

PROJEKT NR.:
 PRJ-11-000004377

REVISIONS				
NO.	DESCRIPTION	DATE	DWN	APVD
1	NEW RELEASE	28NOV2014	CR	JK

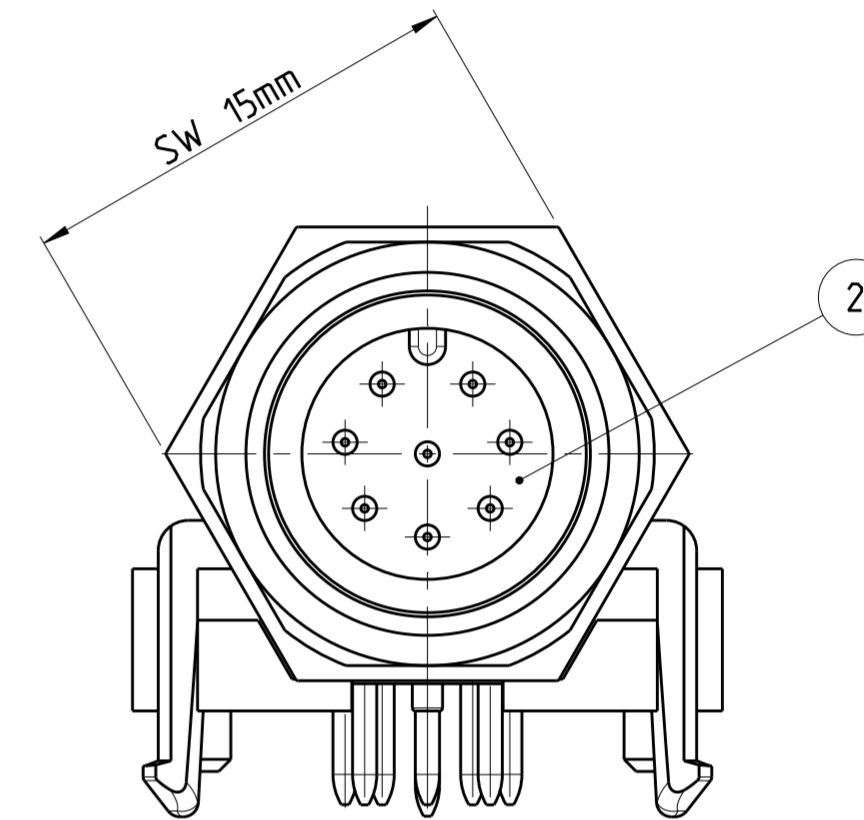
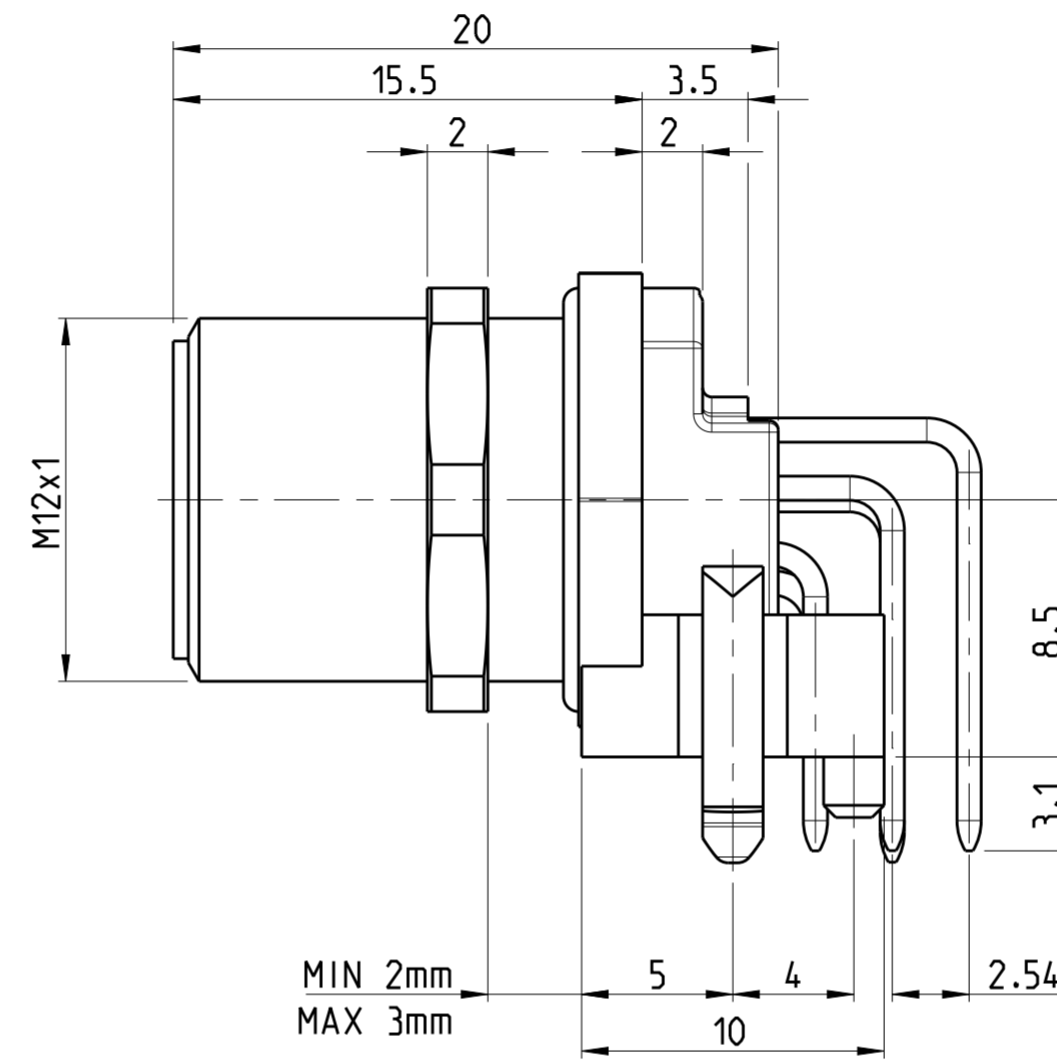
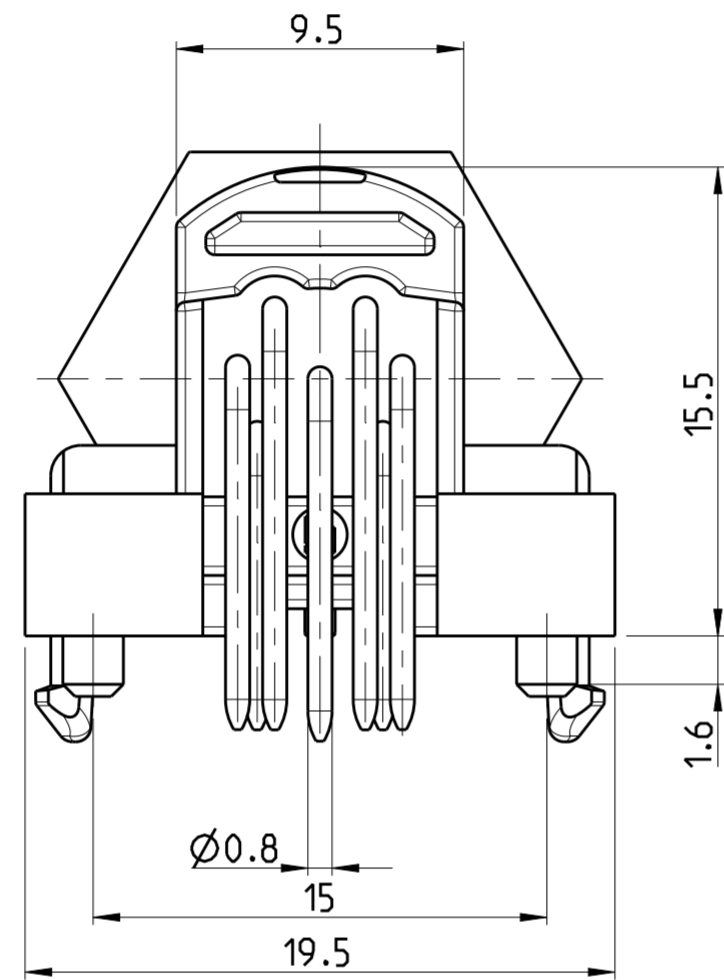
CONDUCTOR LAYOUT



⚠ MATERIAL: ITEM NO. 1: HOUSING - CuZn (BRASS NICKEL PLATED)
 ITEM NO. 2: CONTACT BODY - PA
 ITEM NO. 3: CONTACT - CuSn (BRONZE)
 CONTACT FINISH - Au (GOLD)

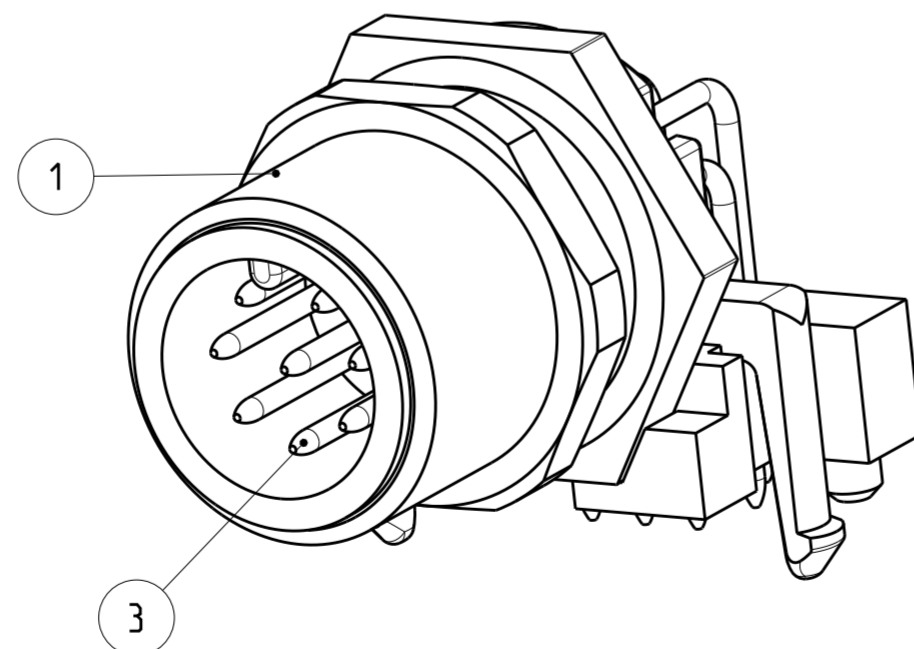
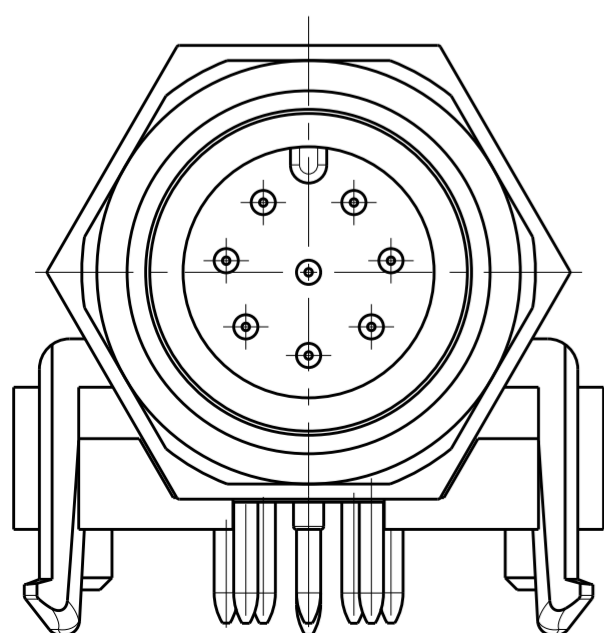
2 ALL DIMENSIONS ARE FOR NOMINAL REFERENCE ONLY UNLESS OTHERWISE STATED

TECHNICAL DATA	
	5-2172075-2
RATED VOLTAGE	60V
RATED IMPULSE VOLTAGE	800V
POLLUTION DEGREE	3
OVERVOLTAGE CATEGORY	II
MATERIAL GROUP	II
RATED CURRENT	2A
VOLUME RESISTIVITY	≤ 3mΩ
DEGREE OF PROTECTION	IP67
UPPER TEMPERATURE	+85 °C
LOWER TEMPERATURE	+40 °C



PIN ARRANGEMENT
 A-CODING

5-2172075-2



SIZE ISO 14405 ⓔ

DIESE ZEICHNUNG IST EIN KONTROLLIERTES DOKUMENT. BEMASSUNGEN UND TOLERANZEN GEMAESS GPS (ISO STANDARDS).		DWN YASHKUMAR 09AUG2014
THIS DRAWING IS A CONTROLLED DOCUMENT. DIMENSIONING AND TOLERANCING PER GPS (ISO STANDARDS).		CHK M. BRUBAKER 09AUG2014
DIMENSIONS: MASSEINHEITEN: (mm)		APVD M. BRUBAKER 09AUG2014
TOLERANCES UNLESS OTHERWISE SPECIFIED: ALLGEMEINTOLERANZEN		NAME M12 MALE CONNECTOR, PCB ASSEMBLY, ANGLED, A CODING
0 PLC ±		PRODUCT SPEC 108-19483
1 PLC ±		APPLICATION SPEC 114-32127
2 PLC ±		WEIGHT -
3 PLC ±		Customer Drawing
4 PLC ±		Customer Drawing
ANGLES/WINKEL ±		SCALE 1:1
FINISH/OBERFLÄCHE/FARBE		SHEET 1 OF 1

⚠	8	5-2172075-2
MATERIAL	NUMBER OF POLES	TE-PART-NO.

STE TE Connectivity

M12 MALE CONNECTOR, PCB ASSEMBLY,
 ANGLED, A CODING

SIZE A2	CAGE CODE 00779	DRAWING NO. ZEICHNUNGS-NR. G-2172075	RESTRICTED TO NUR FÜR -
SCALE MASSSTAB	SHEET BLATT	1 OF 1	REV A