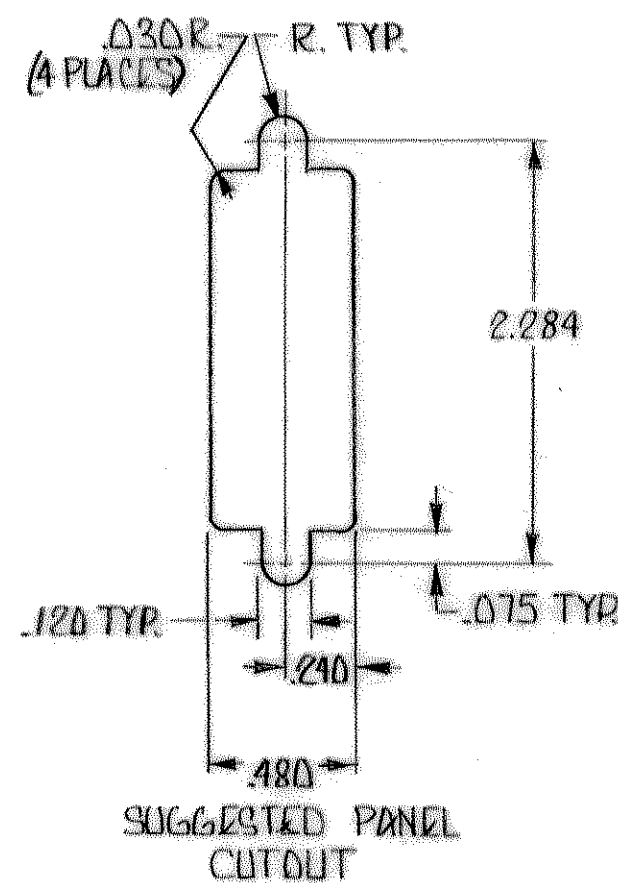
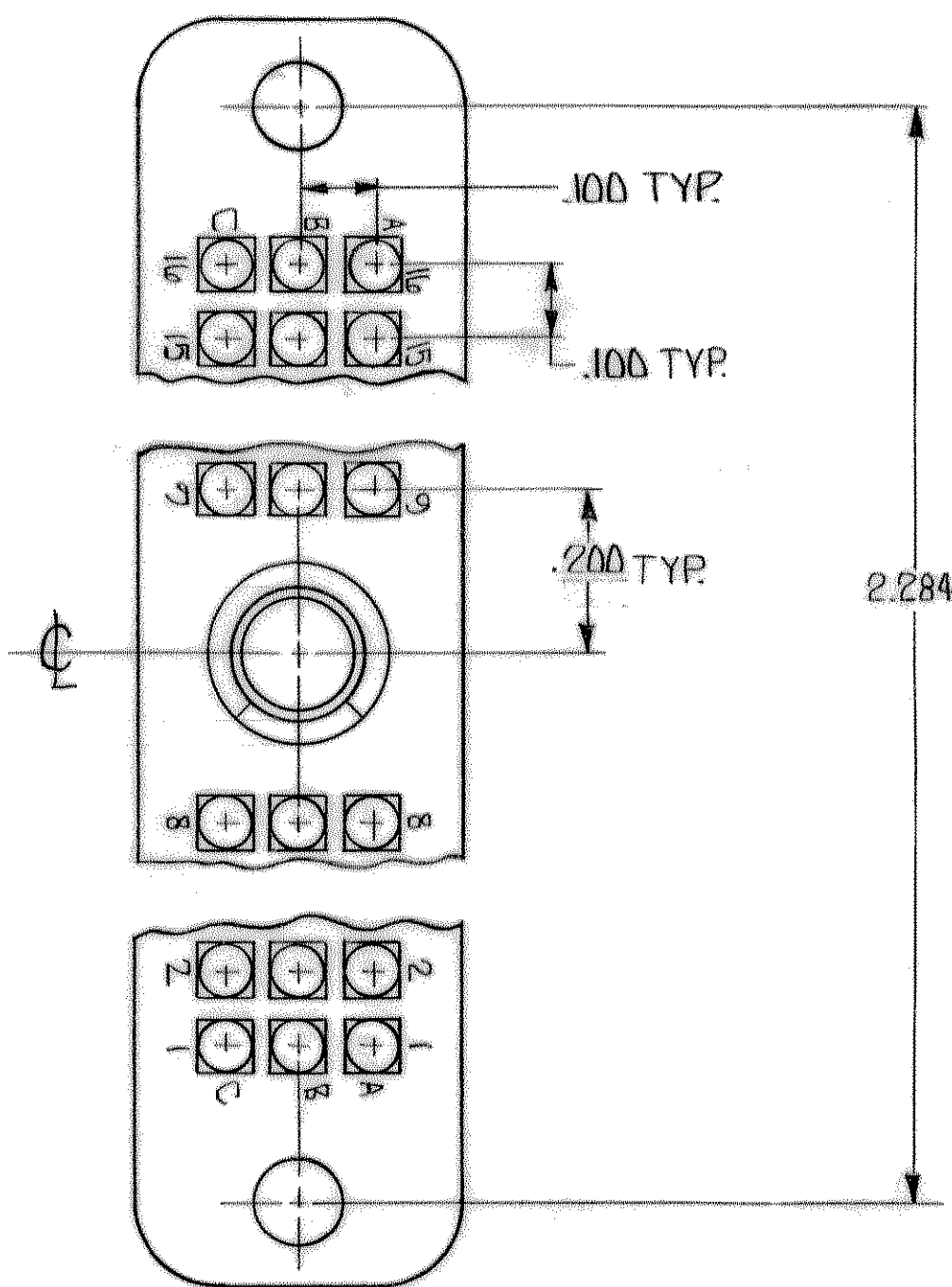
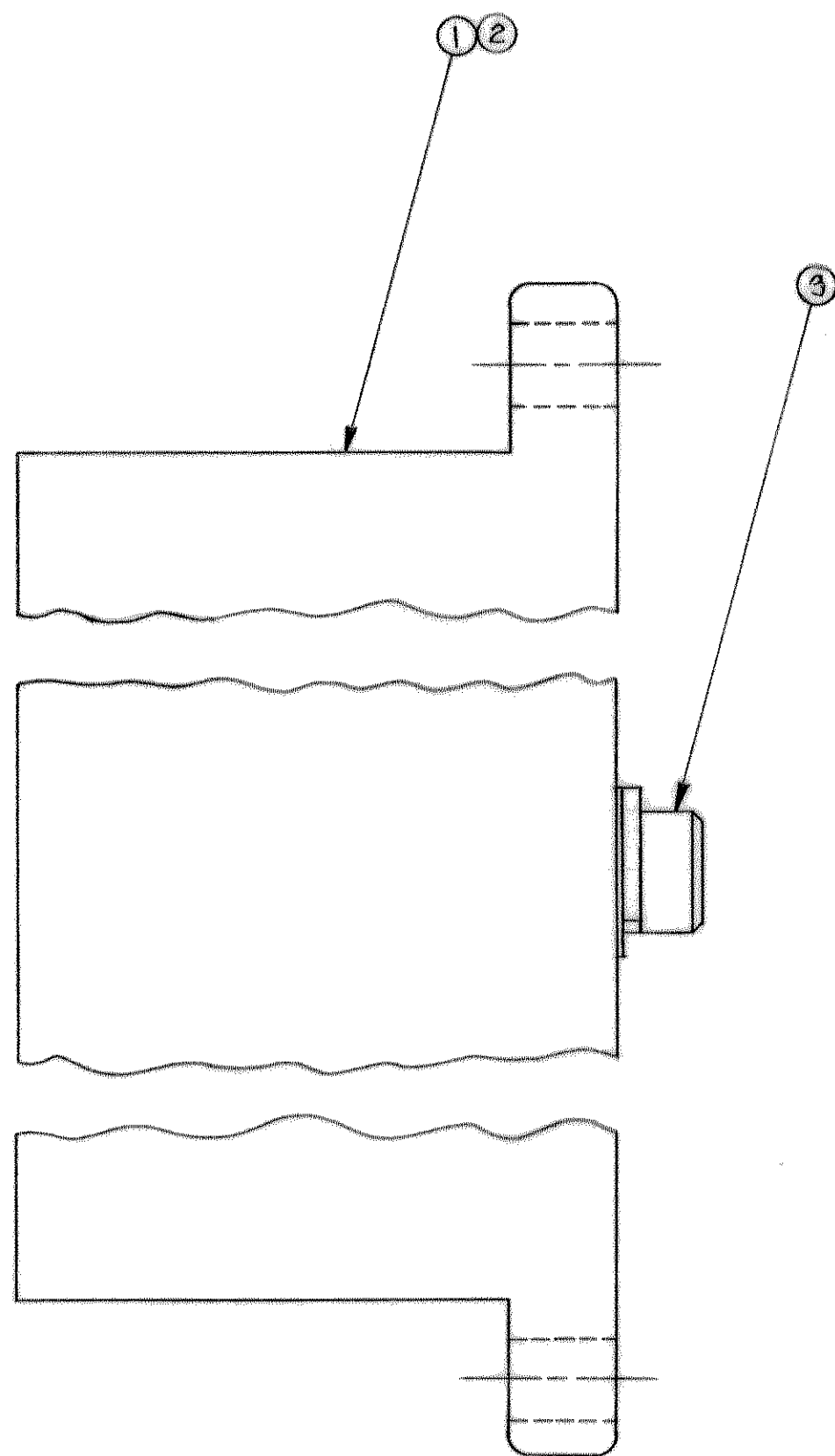


© 1968 BY AMP INCORPORATED. ALL RIGHTS RESERVED. AMP PRODUCTS COVERED BY PATENTS AND/OR PATENTS PENDING.

REVISIONS				
ZONE	LTR	DESCRIPTION	DATE	APPROVED
A	REV PER	0630-276-01	CT	8-02 CT

Unpublished copy not to be reproduced without written permission of AMP



QTY	UNIT	SIZE	NUMBER	NAME	REMARKS	ITEM NO.
1	A	204222-1	JACKSCREW ASSY	FIXED FEMALE		3
1	C	204282-8	BLOCK	DIALYL PHTHALATE, BLUE		2
1	C	204282-8	BLOCK	PHENOLIC, BLACK		1
-2	DWG	SIZE	NUMBER	NAME	REMARKS	ITEM NO.

REQUIRED PER ASSY.

UNLESS OTHERWISE SPECIFIED DIMENSIONS ARE IN INCHES TOLERANCES ON : DECIMALS ± .005 ANGLES ± #	CONTRACT NO.		<b>AMP</b> AMP INCORPORATED HARRISBURG, PENNSYLVANIA	
	DR	<i>J. Sayles</i> 10-20-69		
	CHK	<i>R. Miller</i> 11-6-69	NAME	48 POSITION "HDR" RECEPTACLE ASSEMBLY WITH FIXED FEMALE JACKSCREW
	APPD	<i>K. Jones</i> 11-7-69	SIZE	C
	REL	<i>R. Jones</i> 11-7-69	CODE IDENT NO.	00779
MATERIAL		NUMBER	204734	
		SCALE		
		OTHER APPD		
			SHEET 1 OF 1	

LOC DE  
PRINT DIST. 000

NUMBER 204734