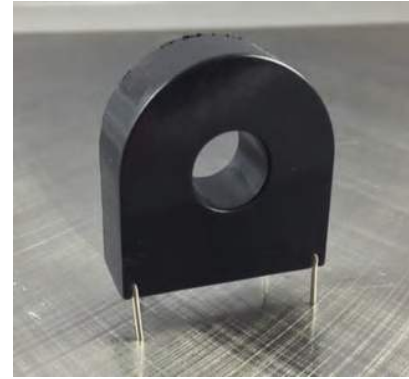
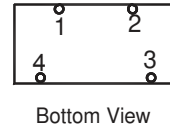
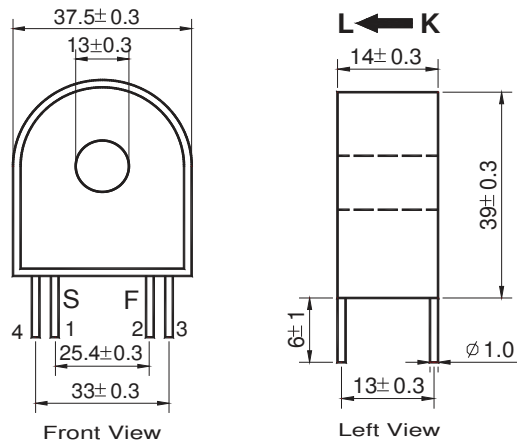


ACT13

Current Sensing Transformer



Dimensions: (MM)

**Features**

- Mini-Precision Current Transformer
- Good linearity over the entire range
- Ideal for Current Measurement, Monitoring & Protection Applications
- Standard Input Current 30-120A
- Frequency 50Hz-400Hz
- Custom designs available.
- Standard accuracy 0.1%,0.2%,0.5%
- ANSI C57.13 and IEC60044-1 Standards
- Constructed using UL approved materials

Electrical

HI-Pot: 4KV/1MA/1MIN

Insulation Resistance: 500mΩ @ 500VDC

Operating Temp: - 40°C ~ +85°C

Storage Temp: -45°C ~ +90°C

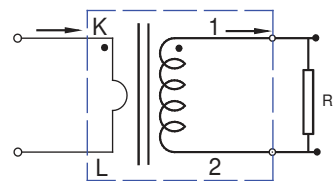
| Allied Part Number * | Turns | Accuracy (%) * | Input Current (A) | Output Current (mA) | Load Resistor (Ω) |
|----------------------|-------|----------------|-------------------|---------------------|-------------------|
| ACT13-30-012-_-100 | 2500 | 0.1,0.2,0.5 | 30 | 12 | 100 |
| ACT13-30-015-_-100 | 2000 | 0.1,0.2,0.5 | 30 | 15 | 100 |
| ACT13-50-020-_-100 | 2500 | 0.1,0.2,0.5 | 50 | 20 | 100 |
| ACT13-50-025-_-100 | 2000 | 0.1,0.2,0.5 | 50 | 25 | 100 |
| ACT13-80-032-_-100 | 2500 | 0.1,0.2,0.5 | 80 | 32 | 100 |
| ACT13-80-040-_-100 | 2000 | 0.1,0.2,0.5 | 80 | 40 | 100 |
| ACT13-100-050-_-100 | 2000 | 0.1,0.2,0.5 | 100 | 50 | 100 |
| ACT13-100-040-_-100 | 2500 | 0.1,0.2,0.5 | 100 | 40 | 100 |
| ACT13-120-060-_-100 | 2000 | 0.1,0.2,0.5 | 120 | 60 | 100 |
| ACT13-120-048-_-100 | 2500 | 0.1,0.2,0.5 | 120 | 48 | 100 |

*Specify desired accuracy by inserting code as follows: "01" for 0.1%, "02" for 0.2%, and "05" for 0.5%.

All specifications subject to change without notice.

Physical

Weight: Approximately 50g



note:

1. Primary current direction from K to L
2. Secondary current directions from S(1) to F(2)
3. RL: Output load resistance