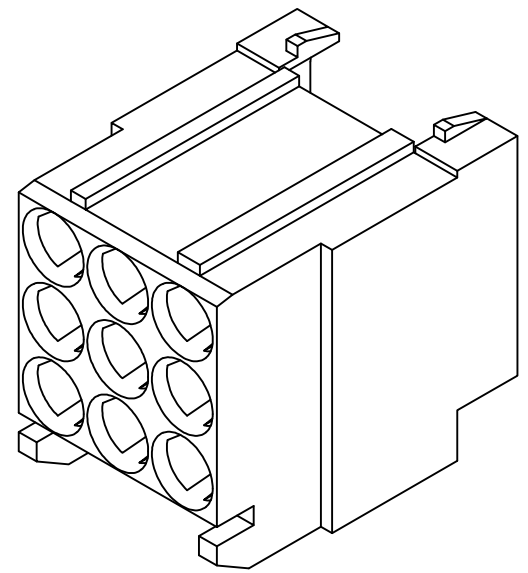
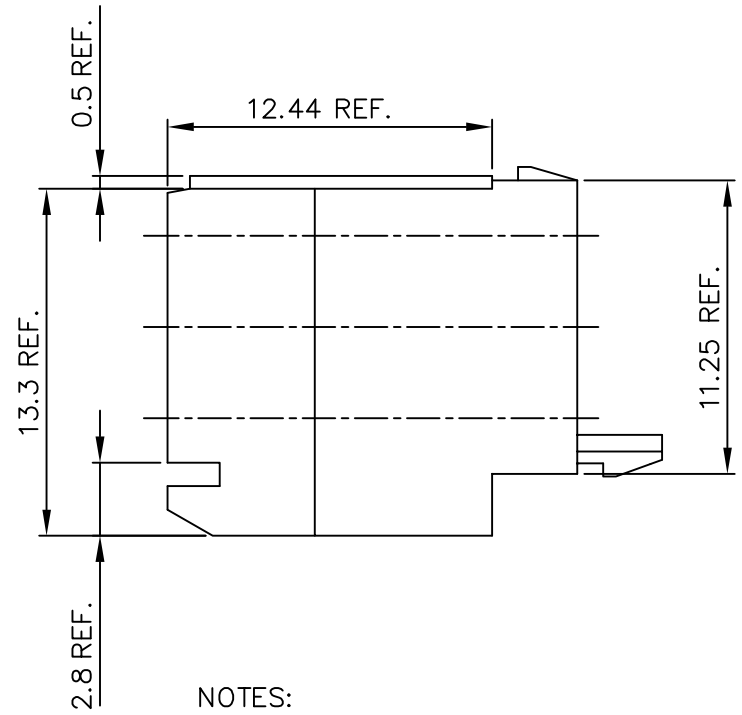
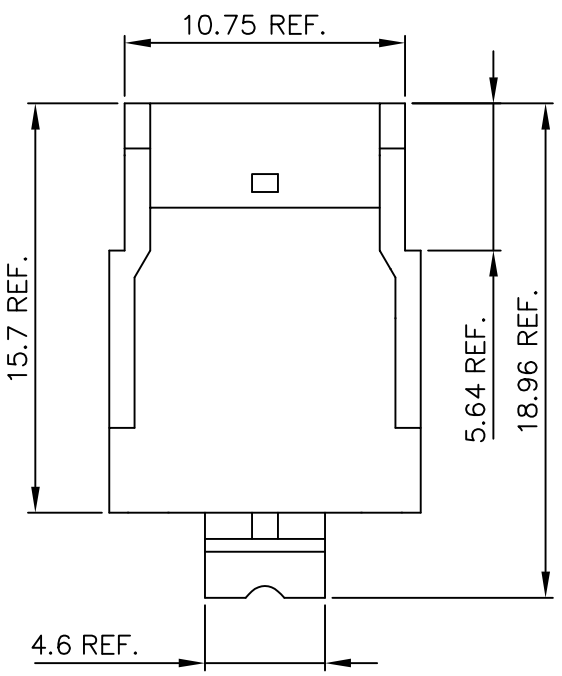
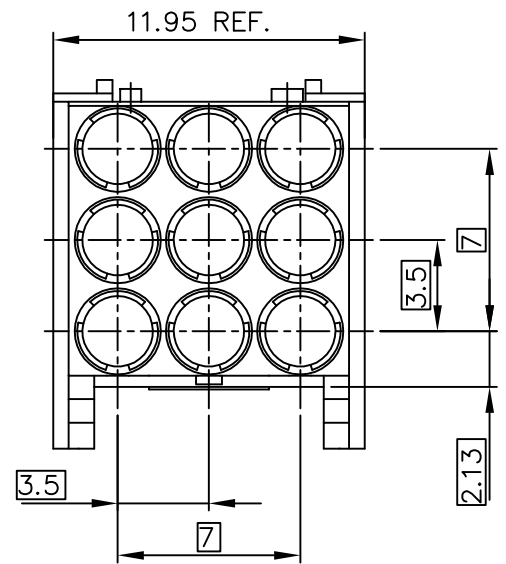


Tous droits strictement réservés. Reproduction ou communication à des tiers interdite sous quelque forme que ce soit sans autorisation écrite du propriétaire. © FCI b.v.

Reproduction or issue to third parties in any form, whatever is not permitted without written authority from the proprietor. © FCI b.v.

PRODUCT NUMBER 88975-101LF



NOTES:

- MATERIAL:
THERMOPL. POLYESTER 30% GLASS
FLAME RETARDANT ACC. UL 98-V0
COLOR NATURAL.
- DIMENSIONS ARE FOR REFERENCE ONLY.
- THIS PRODUCT MEETS EUROPEAN UNION DIRECTIVES AND OTHER COUNTRY REGULATIONS AS DESCRIBED IN GS-22-008.
- THE PRODUCT IS NOT INTENDED TO BE EXPOSED TO A MANUFACTURING SOLDER PROCESS.

mat'l. code SEE NOTE 1		tolerances unless otherwise specified		CUSTOMER COPY		ELECTRONICS www.fciconnect.com	
ltr	ecn no	dr	date			projection	title
A	H10346	DAN	920424	linear			CABLE CONN. MINICOAX/PWR HSG 3x3
B	H80273	AEN	980526				
C	H90476	DDB	990816	angles		mm	product family
D	0605-0436	Clu	051102	dr	D. de Bil	971105	NETRAL (TM)
				engr	J. Dekker	971105	code
				chr	P. Schalk	971105	213
				app	H. Cooijmans	971105	sheet
sheet index	revision	D					1 of 1
	sheet	1					