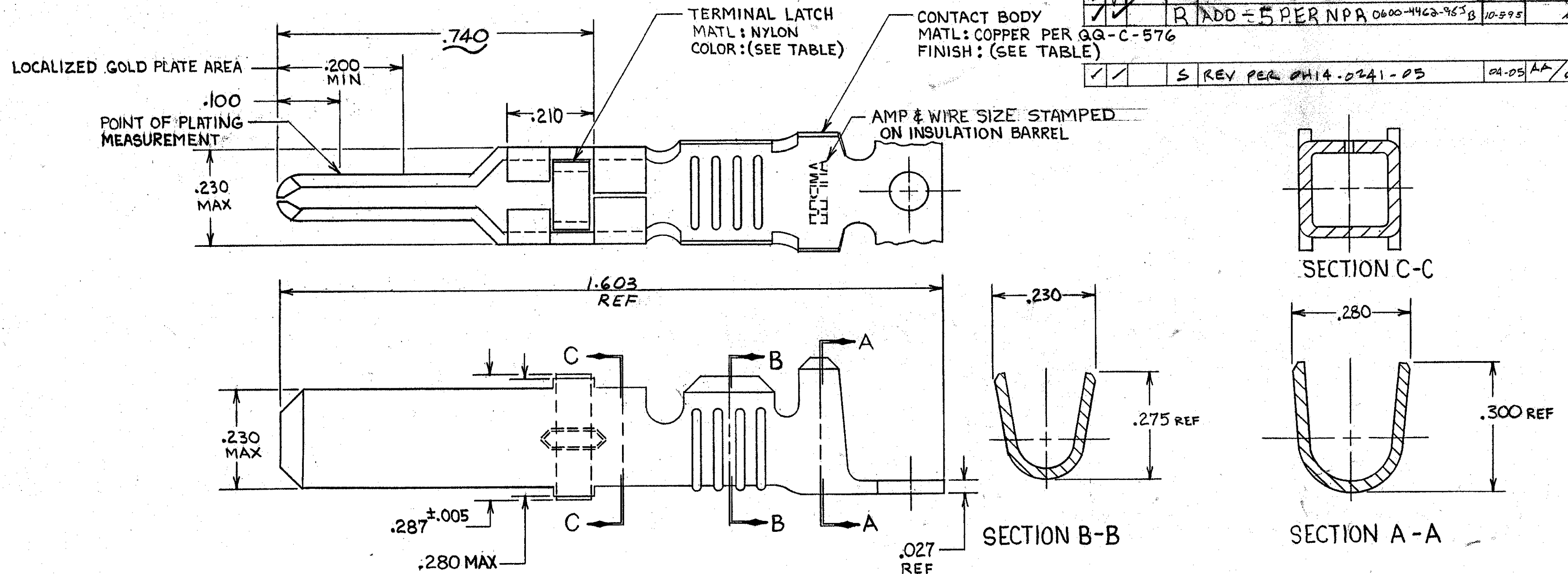


THIS DRAWING IS UNPUBLISHED. RELEASED FOR PUBLICATION
 © COPYRIGHT 19 BY AMP INCORPORATED, HARRISBURG, PA. ALL INTERNATIONAL RIGHTS RESERVED. AMP PRODUCTS MAY BE COVERED BY U.S. AND FOREIGN PATENTS AND/OR PATENTS PENDING.

REVISIONS						
P	F	ZONE	LTR	DESCRIPTION	DATE	APPROVED
✓	✓		L	REDRAWN & REVISED PER ECN R-1451	9-30-85	REF [Signature]
✓	✓		M	REV. / ECN R-1546	3-1-86	MAN [Signature]
✓	✓		N	OBSOLETE - 3 PER R-2760	1-4-87	MAN [Signature]
✓	✓		P	REV PER ECN DF-5920	11-25-82	SV [Signature]
✓	✓		R	ADD - 5 PER NPA 0600-4462-965 B	10-5-95	AMP
✓	✓		S	REV PER 0114-0241-05	04-05	AA/OE



- 1. REELED FOR USE WITH STANDARD APPLICATORS.
- 2. PLATED WITH .000100 MIN SILVER PER QQ-S-365.
- 3. PLATED WITH .000015 MIN GOLD PER MIL-G-45204 IN THE LOCALIZED GOLD PLATE AREA, GOLD FLASH ON THE REMAINDER, OVER .000030 MIN NICKEL PER QQ-N-290.
- 4. PLATED WITH .000030 MIN GOLD PER MIL-G-45204 IN THE LOCALIZED GOLD PLATE AREA, GOLD FLASH ON THE REMAINDER, OVER .000030 MIN NICKEL PER QQ-N-290.
- 5. PLATED WITH .000050 MIN 93-7% TIN-LEAD ALLOY OVER .000030 MIN NICKEL PER QQ-N-290.
- 6. WIRE RANGE = 10 AWG.
- 7. INSULATION RANGE = .190 - .220 DIA.
- 8. REELED FOR USE WITH QUICK-CHANGE APPLICATOR.
- 9. PLATED WITH .000050 MIN TIN PER ASTM-B-545 OVER .000030 MIN NICKEL PER QQ-N-290.

BLACK	1	66260-5	66254-6	1
BLACK	1	66260-2	66254-5	1
NATURAL	2	66260-4	66254-4	1
BLACK	3	OBSOLETE	66254-3	1
BLACK	4	66260-2	66254-2	1
BLACK	5	66260-1	66254-1	1
TERMINAL LATCH COLOR	FINISH	L.P. ASSY P/N REF	STRIP ASSY P/N	

UNLESS OTHERWISE SPECIFIED DIMENSIONS ARE IN INCHES. TOLERANCES ON: DECIMALS ±.010 ANGLES ±	CONTRACT NO	AMP AMP INCORPORATED Harrisburg, Pa. 17105	
	DR <i>Rich Rohrbach</i> 9-30-85		
MATERIAL SEE CALLOUT	CHK <i>Larry S. Lawrence</i> 10-25-85	NAME	
	APPD <i>Ed. Black</i> 10-25-85	MALE TYPE XII GROUND CONTACT STRIP ASSEMBLY	
FINISH SEE DASH NO	APPD <i>James E. Smith</i> 10-27-85		
	DSGN APPD	C	00779
OTHER APPD		DRAWING NO	66254
		SCALE	NTS
		SHEET	

66254