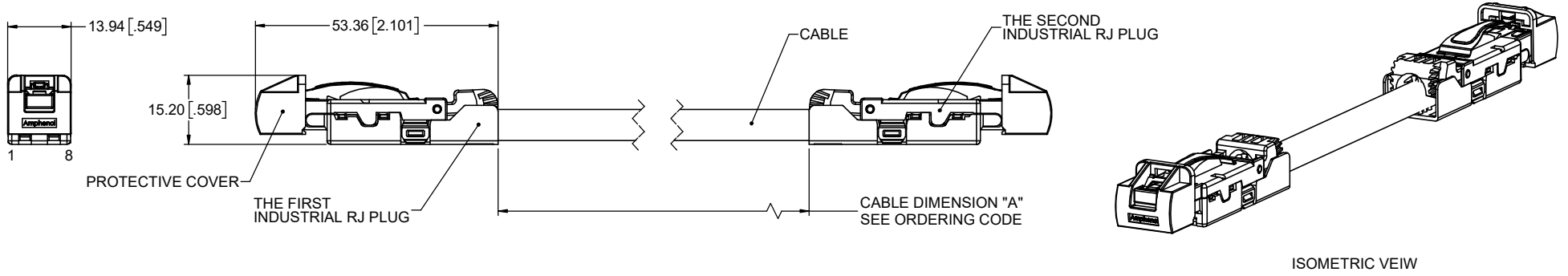


REVISIONS			
REV	DESCRIPTION, ECN, EAR NO.	DATE	APP'D
A	PROPOSAL DRAWING	AUG24/22	KELVIN
B	UPDATE VIEW LAYOUT FOR AESTHETIC	AUG31/22	KELVIN

**FIGURE 1: STRAIGHT CABLE EXIT + STRAIGHT CABLE EXIT (ORDERING CODE: DRPC2-XXX0-99X0)**



CONNECTOR PIN ASSIGNMENT	
RJ45 POSITION NUMBER	WIRE COLOUR (TIA/EIA 568-B)
1	WHITE/ORANGE
2	ORANGE
3	WHITE/GREEN
4	BLUE
5	WHITE/BLUE
6	GREEN
7	WHITE/BROWN
8	BROWN

**ORDERING CODE: DRP C 2 - X XX X - X XX X**

CABLE ASSEMBLY \_\_\_\_\_  
INDUSTRIAL RJ PLUG + INDUSTRIAL RJ PLUG \_\_\_\_\_

CABLE TYPE: \_\_\_\_\_  
1 = 26#AWG, S-FTP  
2 = 24#AWG, S-FTP

0 = STANDARD, BLACK COLOUR HOUSING  
GOLD PLATING OPTIONS:  
1 = GOLD FLASH PLATING  
2 = 8µ" GOLD PLATING  
4 = 50µ" GOLD PLATING

CABLE LENGTHS (DIMENSION "A")	
LENGTH	LENGTH IN CM
A0 TO A9	1 METER + 0 TO 9 DECIMETERS
B0 TO B9	2 METER + 0 TO 9 DECIMETERS
C0 TO C9	3 METER + 0 TO 9 DECIMETERS
D0 TO D9	4 METER + 0 TO 9 DECIMETERS
E0 TO E9	5 METER + 0 TO 9 DECIMETERS
F0 TO F9	6 METER + 0 TO 9 DECIMETERS
G0 TO G9	7 METER + 0 TO 9 DECIMETERS
H0 TO H9	8 METER + 0 TO 9 DECIMETERS
J0 TO J9	9 METER + 0 TO 9 DECIMETERS
K0 TO K9	10 METER + 0 TO 9 METERS
L0 TO L9	20 METER + 0 TO 9 METERS
M0 TO M9	30 METER + 0 TO 9 DECAMETERS

CABLE LENGTH ORDERING CODE EXAMPLES:  
75CM=75, 6.3M=F3, 25M=L5, 80M=M5

THE SECOND INDUSTRIAL RJ PLUG CABLE EXIT DIRECTION OPTIONS:  
1 = 45 DEGREE TOWARDS THE BOTTOM  
2 = 45 DEGREE TOWARDS THE RIGHT  
3 = 45 DEGREE TOWARDS THE TOP  
4 = 45 DEGREE TOWARDS THE LEFT  
5 = 90 DEGREE TOWARDS THE BOTTOM  
6 = 90 DEGREE TOWARDS THE RIGHT  
7 = 90 DEGREE TOWARDS THE TOP  
8 = 90 DEGREE TOWARDS THE LEFT  
9 = STRAIGHT

THE FIRST INDUSTRIAL RJ PLUG CABLE EXIT DIRECTION OPTIONS:  
1 = 45 DEGREE TOWARDS THE BOTTOM  
2 = 45 DEGREE TOWARDS THE RIGHT  
3 = 45 DEGREE TOWARDS THE TOP  
4 = 45 DEGREE TOWARDS THE LEFT  
5 = 90 DEGREE TOWARDS THE BOTTOM  
6 = 90 DEGREE TOWARDS THE RIGHT  
7 = 90 DEGREE TOWARDS THE TOP  
8 = 90 DEGREE TOWARDS THE LEFT  
9 = STRAIGHT

**NOTES:**

- MATERIAL: RoHS COMPLIANT PER EU DIRECTIVE 2011/65/EU AND AMENDMENTS.  
A). INDUSTRIAL RJ PLUGS:  
RJ TERMINALS: COPPER ALLOY, PLATING: SELECTIVE GOLD PLATING ON MATING SURFACES SEE ORDERING CODE, FOR THICKNESS, MATTE TIN ON TAILS AND NICKEL UNDERPLATE  
IDC TERMINALS: COPPER ALLOY, PLATING: MATTE TIN OVERALL AND NICKEL UNDERPLATE  
SHIELDS: ZINC ALLOY, PLATING: NICKEL OVERALL AND COPPER UNDERPLATE  
LATCH & SPRING: STAINLESS STEEL  
HOUSING & WIRE COVER & CABLE OUTLET COVER & PROTECTIVE COVER: ENGINEERING THERMOPLASTIC, FLAMMABILITY RATING UL94V-0, COLOUR: BLACK  
B). CABLE: COPPER CONDUCTOR 26AWG&24AWG, 7 STRANDS, PE INSULATION, METAL FOIL WRAPPED TWISTED PAIRS, OVERALL TIN PLATED BRAID, PVC JACKET DIA 6.3 TO 7.2MM(.244" TO .283")
- DESIGNED TO CONFORM TO REQUIREMENTS OF TIA-1096A & IEC 60603-7-1 & FCC Part 68, SUBPART F SPECIFICATION, THE INDUSTRIAL RJ PLUG KEY FEATURE SHOWN IS INTENDED TO USE WITH ETHERNET APPLICATIONS, EITHER 10/100 MBIT/S OR 1 TO 10 GBIT/S (CAT 5e, 6 & 6A).
- CURRENT RATING: 1.5 AMPERES, VOLTAGE RATING: 60V DC
- OPERATING TEMPERATURE: -40°C TO +80°C.
- DIELECTRIC WITHSTANDING VOLTAGE: 2,250V DC.
- INSULATION RESISTANCE: 500 MEGOHMS MINIMUM.
- MATING & UNMATING FORCE: 20N MAXIMUM.



UNLESS SPECIFIED OTHERWISE	DRAWN	RONNIE.C	AUG24/22
PRIMARY UNITS MILLIMETRES	CHECKED	KELVIN.T	AUG24/22
SECONDARY INCHES	M.E. APP'D		
REFERENCE IN PARENTHESES	Q.A. APP'D		
GENERAL TOLERANCES	DWG APPR.		
1 DECIMAL PLACE	ENG. REL. NO.		
2 DECIMAL PLACES	REF.		
3 DECIMAL PLACES	THIRD ANGLE PROJECTION		
ANGULAR DEGREES	DO NOT SCALE DRAWING		

**Amphenol Canada Corp.**  
Commercial Products

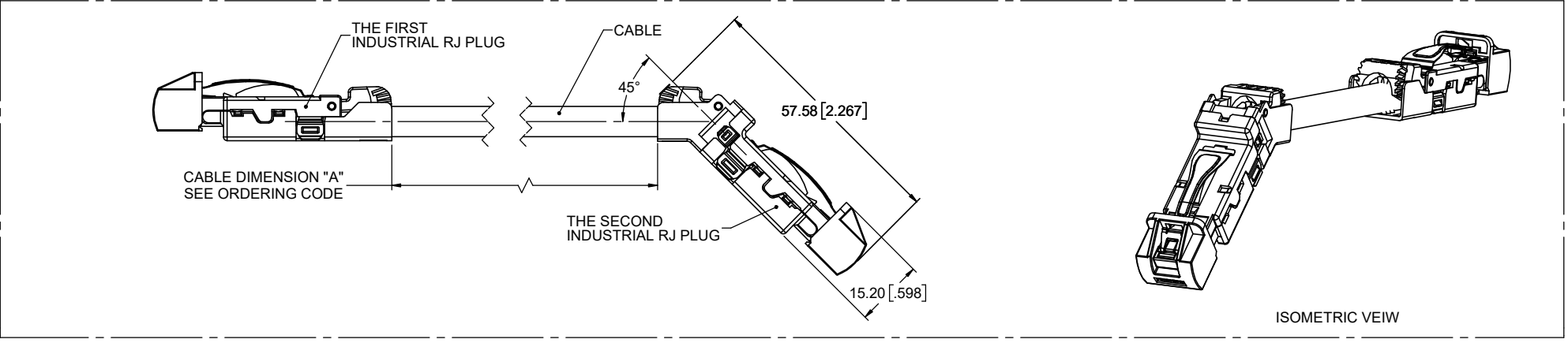
**INDUSTRIAL PLUG CABLE ASSEMBLY,  
INDUSTRIAL RJ PLUG + INDUSTRIAL RJ PLUG  
-RoHS COMPLIANT**

DWG. NO. **P-DRPC2-XXXX-XXXX** REV **B**

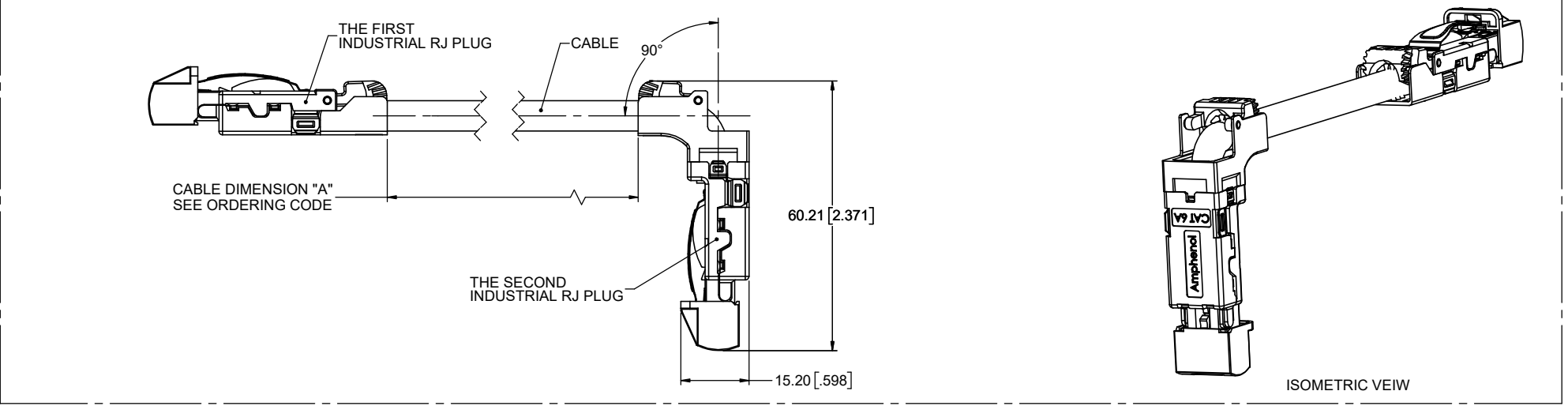
CODE ID NO. 03554 DWG SIZE: X SCALE: 3:2 SHEET 1 OF 2

REVISIONS			
REV	DESCRIPTION, ECN, EAR NO.	DATE	APP'D
A	PROPOSAL DRAWING	AUG24/22	KELVIN
B	UPDATE VIEW LAYOUT FOR AESTHETIC	AUG31/22	KELVIN

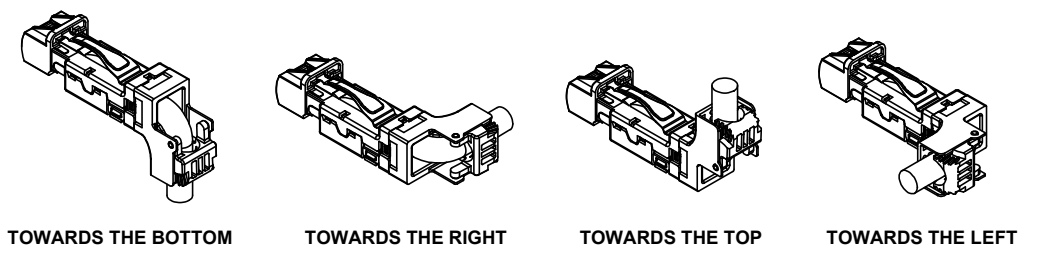
**FIGURE 2: STRAIGHT CABLE EXIT + 45 DEGREE TOWARDS THE BOTTOM (ORDERING CODE: DRPC2-XXX0-91X0)**



**FIGURE 3: STRAIGHT CABLE EXIT + 90 DEGREE TOWARDS THE BOTTOM (ORDERING CODE: DRPC2-XXX0-97X0)**



**FIGURE 4: TOWARDS OPTIONS FOR 45 DEGREE & 90 DEGREE(90 DEGREE SHOWN, SCALE 1:1):**



UNLESS SPECIFIED OTHERWISE	DRAWN	RONNIE.C	AUG24/22
PRIMARY UNITS MILLIMETRES	CHECKED	KELVIN.T	AUG24/22
SECONDARY UNITS INCHES	M.E. APP'D		
REFERENCE IN PARENTHESES	Q.A. APP'D		
GENERAL TOLERANCES	DWG APPR.		
1 DECIMAL PLACE	ENG. REL. NO.		
2 DECIMAL PLACES	REF.		
3 DECIMAL PLACES	THIRD ANGLE PROJECTION		
ANGULAR DEGREES	DO NOT SCALE DRAWING		

**Amphenol Canada Corp.**  
Commercial Products

**INDUSTRIAL PLUG CABLE ASSEMBLY,  
INDUSTRIAL RJ PLUG + INDUSTRIAL RJ PLUG  
-RoHS COMPLIANT**

DWG. NO. **P-DRPC2-XXXX-XXXX** REV **B**

CODE ID NO. 03554 DWG SIZE: X SCALE: 3:2 SHEET 2 OF 2