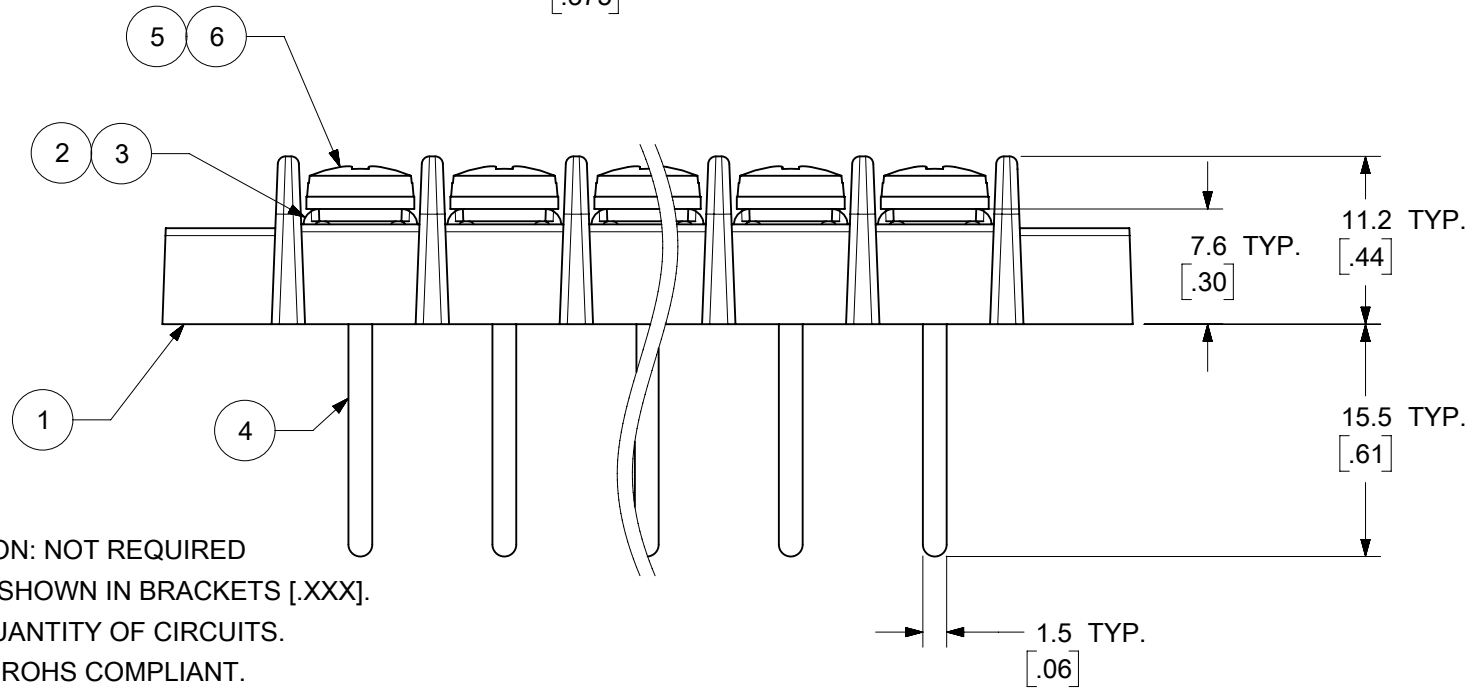
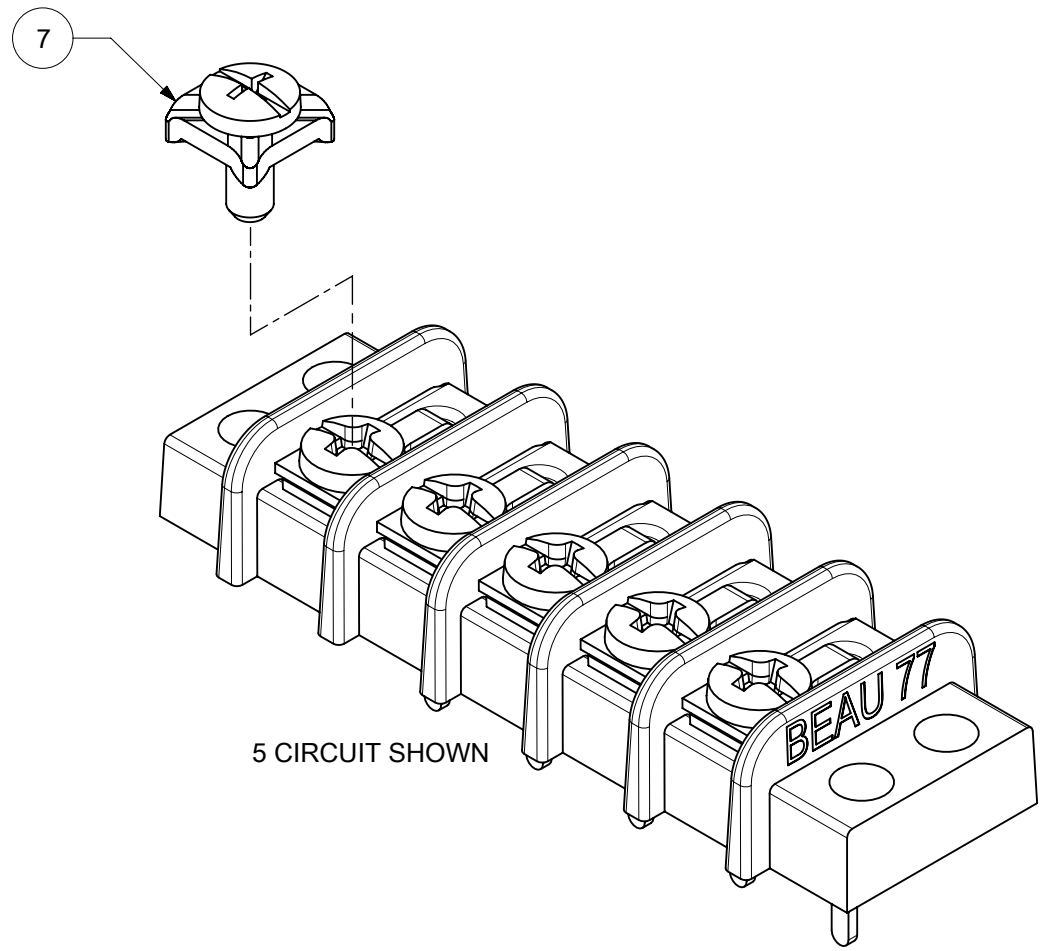
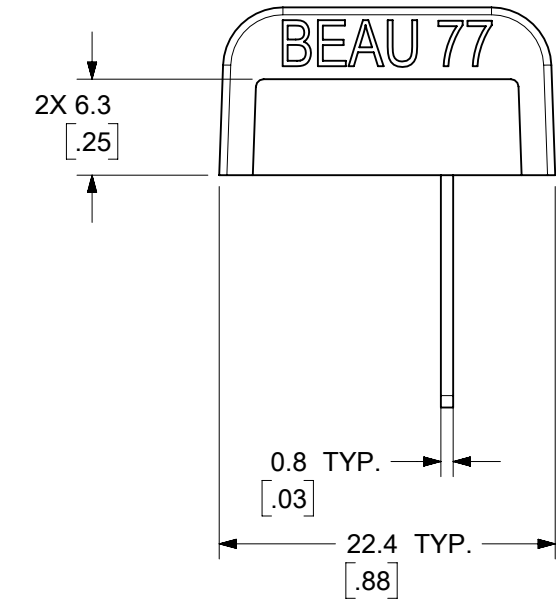


REF -50 OPTION SCREW  
(WHERE APPLICABLE)



NOTES:

1. MATERIAL: SEE TABLE
2. FINISHES: SEE TABLE
3. PRODUCT SPECIFICATION: NOT REQUIRED
4. INCH DIMENSIONS ARE SHOWN IN BRACKETS [.XXX].
5. "XX" REFERS TO THE QUANTITY OF CIRCUITS.
6. ALL COMPONENTS ARE ROHS COMPLIANT.




TOLERANCES			
MM	TOL	INCH	TOL
0-6	±0.25	0-.24	±.010
>6-30	±0.40	.24-1.18	±.016
>30-120	±0.50	1.18-4.76	±.020
>120	±0.80	>4.76	±.031

7	XX	SCREW, #6-32X.250 PAN HD, PHIL-SLOT W/WSHR (-50 OPTION)	STEEL	ZN, CLEAR CHROMATE
6	XX	SCREW, #6-32X.250 BGHD, PHIL-SLOT (-49 OPTION)	BRASS	NICKEL PLATE
5	XX	SCREW, #6-32X.250, BGHD PHIL-SLOT (STANDARD)	STEEL	ZN, CLEAR CHROMATE
4	XX	TERMINAL, WIRE TAP Y	BRASS	TIN PLATE
3	XX	TERMINAL PLATE (-49 OPTION)	BRASS	TIN PLATE
2	XX	TERMINAL PLATE	BRASS	NICKEL PLATE
1	1	INSULATOR	THERMOPLASTIC	BLACK
ITEM	QTY	DESCRIPTION	MATERIAL	FINISH

THIS DRAWING CONTAINS INFORMATION THAT IS PROPRIETARY TO MOLEX ELECTRONIC TECHNOLOGIES, LLC AND SHOULD NOT BE USED WITHOUT WRITTEN PERMISSION											
FUNCTIONAL SYMBOLS		DIMENSION UNITS		SCALE		CURRENT REV DESC: MIGRATED TO ECTR/NX & ADDED TOLERANCE TABLE					
FA = 0		MM/INCH		2:1		<p>EC NO: 642242  DRWN: ABENJAMINLW 2020/04/30  CHK'D: MBRZOZOWSKI 2020/05/13  APPR: JFMURPHY 2020/08/11</p> <p>INITIAL REVISION:  DRWN: AHIDALGO 2006/05/11  APPR: RDEROSS 2006/05/11</p>					
FE = 0		GENERAL TOLERANCES (UNLESS SPECIFIED)									
FD = 0		MM		INCH							
DIVISIONAL SYMBOLS		4 PLACES ± --- ± ---		3 PLACES ± --- ± --- SEE CHART							
		2 PLACES ± --- ± --- SEE CHART		1 PLACE ± --- ± --- SEE CHART		DOCUMENT NUMBER		DOC TYPE		DOC PART	
		0 PLACES ± --- ± ---		ANGULAR TOL ± ---		SD-38770-003		PSD		001	
		DRAFT WHERE APPLICABLE MUST REMAIN WITHIN DIMENSIONS		THIRD ANGLE PROJECTION		SERIES		MATERIAL NUMBER		CUSTOMER	
				B-SIZE		38770		SEE CHART		GENERAL MARKET	
						SHEET NUMBER				1 OF 2	

NO. OF CIRCUITS "XX"	DIM. "A"		DIM. "B"		DIM. "C"		DIM. "D"		ASSEMBLY MATERIAL NO. (STANDARD)	ASSEMBLY MATERIAL NO. (-49 OPTION)	ASSEMBLY MATERIAL NO. (-50 OPTION)
	mm	INCH	mm	INCH	mm	INCH	mm	INCH			
2	35.7	[1.41]	9.53	[.375]	28.6	[1.13]	21.3	[.84]	387701902	387702002	387703102
3	45.2	[1.78]	19.05	[.750]	38.1	[1.50]	30.8	[1.21]	387701903	387702003	387703103
4	54.7	[2.16]	28.58	[1.125]	47.6	[1.88]	40.3	[1.59]	387701904	387702004	387703104
5	64.3	[2.53]	38.10	[1.500]	57.2	[2.25]	49.8	[1.96]	387701905	387702005	387703105
6	73.8	[2.91]	47.63	[1.875]	66.7	[2.63]	59.4	[2.34]	387701906	387702006	387703106
7	83.3	[3.28]	57.15	[2.250]	76.2	[3.00]	68.9	[2.71]	387701907	387702007	387703107
8	92.8	[3.66]	66.68	[2.625]	85.7	[3.38]	78.4	[3.09]	387701908	387702008	387703108
9	102.4	[4.03]	76.20	[3.000]	95.3	[3.75]	87.9	[3.46]	387701909	387702009	387703109
10	111.9	[4.41]	85.73	[3.375]	104.8	[4.13]	97.5	[3.84]	387701910	387702010	387703110
11	121.4	[4.78]	95.25	[3.750]	114.3	[4.50]	107.0	[4.21]	387701911	387702011	387703111
12	130.9	[5.16]	104.78	[4.125]	123.8	[4.88]	116.5	[4.59]	387701912	387702012	387703112
13	140.5	[5.53]	114.30	[4.500]	133.4	[5.25]	126.0	[4.96]	387701913	387702013	387703113
14	150.0	[5.91]	123.83	[4.875]	142.9	[5.63]	135.6	[5.34]	387701914	387702014	387703114
15	159.5	[6.28]	133.35	[5.250]	152.4	[6.00]	145.1	[5.71]	387701915	387702015	387703115
16	169.0	[6.66]	142.88	[5.625]	161.9	[6.38]	154.6	[6.09]	387701916	387702016	387703116
17	178.6	[7.03]	152.40	[6.000]	171.5	[6.75]	164.1	[6.46]	387701917	387702017	387703117
18	188.1	[7.41]	161.93	[6.375]	181.0	[7.13]	173.7	[6.84]	387701918	387702018	387703118
19	197.6	[7.78]	171.45	[6.750]	190.5	[7.50]	183.2	[7.21]	387701919	387702019	387703119
20	207.1	[8.16]	180.98	[7.125]	200.0	[7.88]	192.7	[7.59]	387701920	387702020	387703120
21	216.7	[8.53]	190.50	[7.500]	209.6	[8.25]	202.2	[7.96]	387701921	387702021	387703121
22	226.2	[8.91]	200.03	[7.875]	219.1	[8.63]	211.8	[8.34]	387701922	387702022	387703122
23	235.7	[9.28]	209.55	[8.250]	228.6	[9.00]	221.3	[8.71]	387701923	387702023	387703123
24	245.2	[9.66]	219.08	[8.625]	238.1	[9.38]	230.8	[9.09]	387701924	387702024	387703124
25	254.2	[10.03]	228.60	[9.000]	247.7	[9.75]	240.3	[9.46]	387701925	387702025	387703125
26	264.3	[10.41]	238.13	[9.375]	257.2	[10.13]	249.9	[9.84]	387701926	387702026	387703126
27	273.8	[10.78]	247.65	[9.750]	266.7	[10.50]	259.4	[10.21]	387701927	387702027	387703127
28	283.3	[11.16]	257.18	[10.125]	276.2	[10.88]	268.9	[10.59]	387701928	387702028	387703128
29	292.9	[11.53]	266.70	[10.500]	285.8	[11.25]	278.4	[10.96]	387701929	387702029	387703129
30	302.4	[11.91]	276.23	[10.875]	295.3	[11.63]	288.0	[11.34]	387701930	387702030	387703130

TOLERANCES			
MM	TOL	INCH	TOL
0-6	±0.25	0-.24	±.010
>6-30	±0.40	.24-1.18	±.016
>30-120	±0.50	1.18-4.76	±.020
>120	±0.80	>4.76	±.031

FUNCTIONAL SYMBOLS												THIS DRAWING CONTAINS INFORMATION THAT IS PROPRIETARY TO MOLEX ELECTRONIC TECHNOLOGIES, LLC AND SHOULD NOT BE USED WITHOUT WRITTEN PERMISSION											
DIMENSION UNITS				SCALE				CURRENT REV DESC: MIGRATED TO ECTR/NX & ADDED TOLERANCE TABLE				 9.53MM [.375] DOUBLE ROW LOW PROFILE BTS ASSY											
MM/INCH				2:1																			
GENERAL TOLERANCES (UNLESS SPECIFIED)												EC NO: 642242 DRWN: ABENJAMINLW 2020/04/30 CHK'D: MBRZOZOWSKI 2020/05/13 APPR: JFMURPHY 2020/08/11 INITIAL REVISION: DRWN: AHIDALGO 2006/05/11 APPR: RDEROSS 2006/05/11											
4 PLACES		± --- ± ---		3 PLACES		± --- ± ---		2 PLACES		± --- ± ---						1 PLACE		± --- ± ---					
3 PLACES		± --- ± ---		2 PLACES		± --- ± ---		1 PLACE		± --- ± ---						0 PLACES		± --- ± ---					
2 PLACES		± --- ± ---		1 PLACE		± --- ± ---		0 PLACES		± --- ± ---						ANGULAR TOL		± ---					
1 PLACE		± --- ± ---		0 PLACES		± --- ± ---		ANGULAR TOL		± ---						DRAFT WHERE APPLICABLE MUST REMAIN WITHIN DIMENSIONS							
DIVISIONAL SYMBOLS				THIRD ANGLE PROJECTION				DRAWING				SERIES											
				B-SIZE				38770				MATERIAL NUMBER											
												CUSTOMER											
												SHEET NUMBER											
												2 OF 2											

DOCUMENT NUMBER	DOC TYPE	DOC PART	REVISION
SD-38770-003	PSD	001	A1

NO. OF CIRCUITS 'XX'	DM. 'A'	DM. 'B'	DM. 'C'	DM. 'D'	ASSEMBLY MATERIAL NO. (STANDARD)	ASSEMBLY MATERIAL NO. (-49 OPTION)	ASSEMBLY MATERIAL NO. (-50 OPTION)
2	35.7 [1.41]	9.53 [.375]	28.6 [1.13]	21.3 [.84]	387701902	387702002	387703102
3	45.2 [1.78]	19.05 [.750]	38.1 [1.50]	30.8 [1.21]	387701903	387702003	387703103
4	54.7 [2.16]	28.58 [1.125]	47.6 [1.88]	40.3 [1.59]	387701904	387702004	387703104
5	64.3 [2.53]	38.10 [1.500]	57.2 [2.25]	49.8 [1.96]	387701905	387702005	387703105
6	73.8 [2.91]	47.63 [1.875]	66.7 [2.63]	59.4 [2.34]	387701906	387702006	387703106
7	83.3 [3.28]	57.15 [2.250]	76.2 [3.00]	68.9 [2.71]	387701907	387702007	387703107
8	92.8 [3.66]	66.68 [2.625]	85.7 [3.38]	78.4 [3.09]	387701908	387702008	387703108
9	102.4 [4.03]	76.20 [3.000]	95.3 [3.75]	87.9 [3.46]	387701909	387702009	387703109
10	111.9 [4.41]	85.73 [3.375]	104.8 [4.13]	97.5 [3.84]	387701910	387702010	387703110
11	121.4 [4.78]	95.25 [3.750]	114.3 [4.50]	107.0 [4.21]	387701911	387702011	387703111
12	130.9 [5.16]	104.78 [4.125]	123.8 [4.88]	116.5 [4.59]	387701912	387702012	387703112
13	140.5 [5.53]	114.30 [4.500]	133.4 [5.25]	126.0 [4.96]	387701913	387702013	387703113
14	150.0 [5.91]	123.83 [4.875]	142.9 [5.63]	135.6 [5.34]	387701914	387702014	387703114
15	159.5 [6.28]	133.35 [5.250]	152.4 [6.00]	145.1 [5.71]	387701915	387702015	387703115
16	169.0 [6.66]	142.88 [5.625]	161.9 [6.38]	154.6 [6.09]	387701916	387702016	387703116
17	178.6 [7.03]	152.40 [6.000]	171.5 [6.75]	164.1 [6.46]	387701917	387702017	387703117
18	188.1 [7.41]	161.93 [6.375]	181.0 [7.13]	173.7 [6.84]	387701918	387702018	387703118
19	197.6 [7.78]	171.45 [6.750]	190.5 [7.50]	183.2 [7.21]	387701919	387702019	387703119
20	207.1 [8.16]	180.98 [7.125]	200.0 [7.88]	192.7 [7.59]	387701920	387702020	387703120
21	216.7 [8.53]	190.50 [7.500]	209.6 [8.25]	202.2 [7.96]	387701921	387702021	387703121
22	226.2 [8.91]	200.03 [7.875]	219.1 [8.63]	211.8 [8.34]	387701922	387702022	387703122
23	235.7 [9.28]	209.55 [8.250]	228.6 [9.00]	221.3 [8.71]	387701923	387702023	387703123
24	245.2 [9.66]	219.08 [8.625]	238.1 [9.38]	230.8 [9.09]	387701924	387702024	387703124
25	254.8 [10.03]	228.60 [9.000]	247.7 [9.75]	240.3 [9.46]	387701925	387702025	387703125
26	264.3 [10.41]	238.13 [9.375]	257.2 [10.13]	249.9 [9.84]	387701926	387702026	387703126
27	273.8 [10.78]	247.65 [9.750]	266.7 [10.50]	259.4 [10.21]	387701927	387702027	387703127
28	283.3 [11.16]	257.18 [10.125]	276.2 [10.88]	268.9 [10.59]	387701928	387702028	387703128
29	292.9 [11.53]	266.70 [10.500]	285.8 [11.25]	278.4 [10.96]	387701929	387702029	387703129
30	302.4 [11.91]	276.23 [10.875]	295.3 [11.63]	288.0 [11.34]	387701930	387702030	387703130

INITIAL RELEASE EC NO: ETC2006-0393 DRW: AHIDALGO 2006/05/11 CHKD: JENCINAS 2006/05/11 APPR: RDEROSS 2006/05/11	DESCRIPTION A	QUALITY SYMBOLS ▽=0 ▽=0	GENERAL TOLERANCES (UNLESS SPECIFIED) mm INCH 4 PLACES ± --- ±.0002 3 PLACES ± 0.000 ±.005 2 PLACES ± 0.13 ±.01 1 PLACE ± 0.3 ± --- ANGULAR ± 2 °	DIMENSION STYLE MM/IN DRAWN BY: AHIDALGO DATE: 2006/04/18 CHECKED BY: JENCINAS DATE: 2006/04/18 APPROVED BY: RDEROSS DATE: 2006/04/18	SCALE: 2:1 DESIGN UNITS: INCH THIRD ANGLE PROJECTION	TITLE: 9.53MM [.375] DOUBLE ROW LOW PROFILE BTS ASSY
		DRAFT WHERE APPLICABLE MUST REMAIN WITHIN DIMENSIONS	MATERIAL NO.: SEE CHART DOCUMENT NO.: SD-38770-003	SHEET NO.: 2 OF 2		
		THIS DRAWING CONTAINS INFORMATION THAT IS PROPRIETARY TO MOLEX INCORPORATED AND SHOULD NOT BE USED WITHOUT WRITTEN PERMISSION				
		SIZE B				