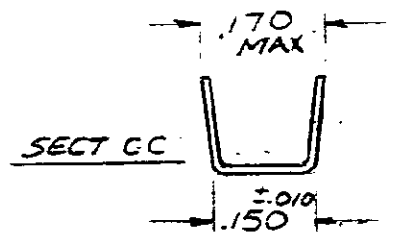
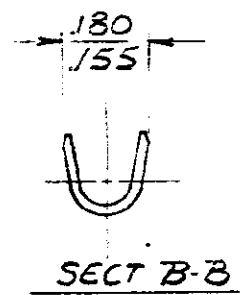
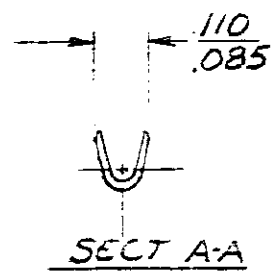
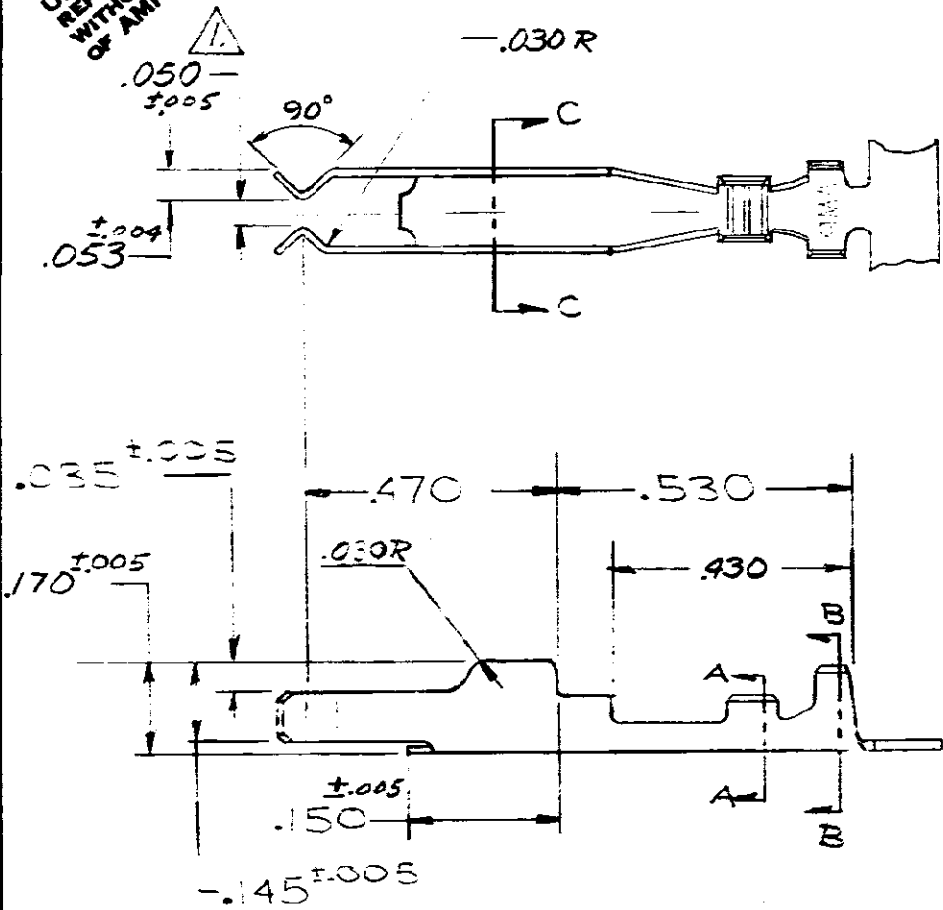


© COPYRIGHT 1977 BY AMP INCORPORATED, HARRISBURG, PA. ALL INTERNATIONAL RIGHTS RESERVED. AMP INCORPORATED PRODUCTS COVERED BY U.S. AND FOREIGN PATENTS OR PATENTS PENDING.


UNPUBLISHED COPY OF THIS DRAWING REPRODUCED OR TRANSMITTED IN ANY FORM OR BY ANY MEANS WITHOUT WRITTEN PERMISSION OF AMP INCORPORATED.

REVISIONS			
LTR	DESCRIPTION	DATE	APPROVED
A	REVISED	11-8-77	WSD/RS.
B	ADDED SECT CC A-3848	1-26-78	GL
C	RELEASED P.A.R.	3/6/78	GL
D	RELEASED A-4431	4/3/79	GL
E	.053 WAS .050 A47	4-17-80	D.S.



⚠ .050 ± .005 TO BE HELD WHEN .170 MAX IS CLOSED TO .150 ± .010

CONTINUOUS STRIP ON REELS	.074-.130	22-18	62622-1
	INSUL RANGE	WIRE RANGE	PART NO

UNLESS OTHERWISE SPECIFIED DIMENSIONS ARE IN INCHES. TOLERANCES ON: DECIMALS ± .015 ANGLES ± 1°	CONTRACT NO	 <b>AMP INCORPORATED</b> Harrisburg, Pa.
	DR <i>G YETTER 4/11/77</i>	
MATERIAL <b>.014 BRASS</b>	CHK <i>[Signature] 4/11/77</i>	NAME <b>LAMP CONTACT</b>
	APPD <i>[Signature] 4/11/77</i>	
FINISH <b>NONE</b>	DSGN APPD	SIZE <b>A</b>
	OTHER APPD	CODE IDENT NO <b>00779</b>
		DRAWING NO <b>62622</b>
		SCALE
		SHEET