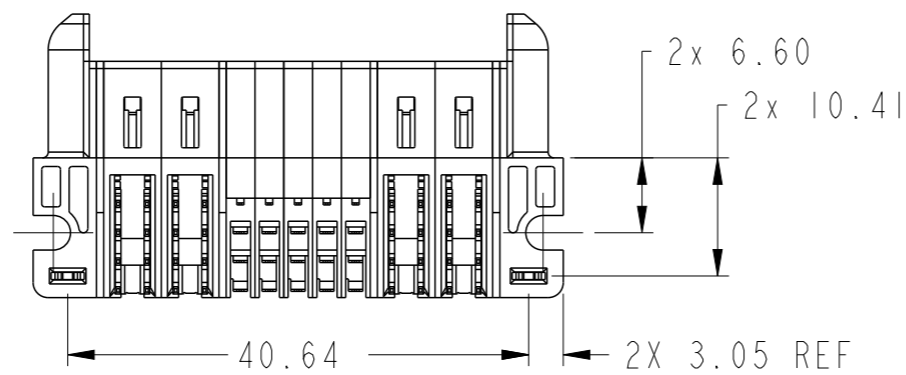
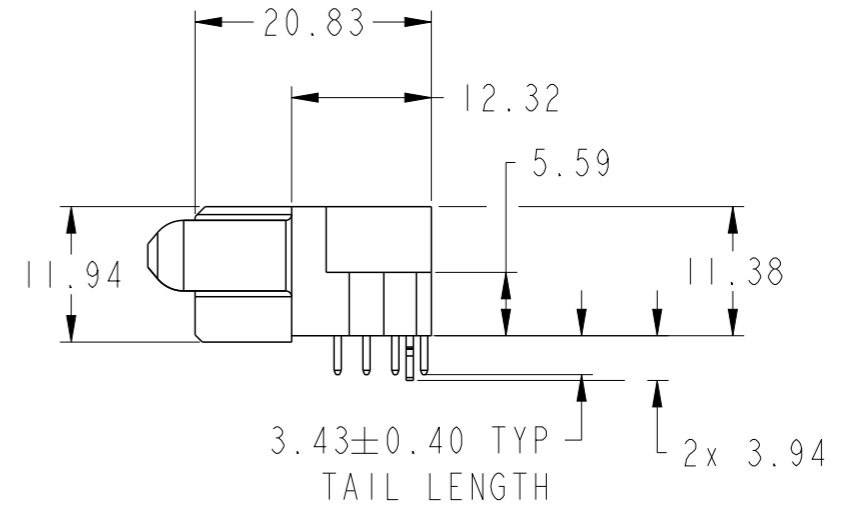
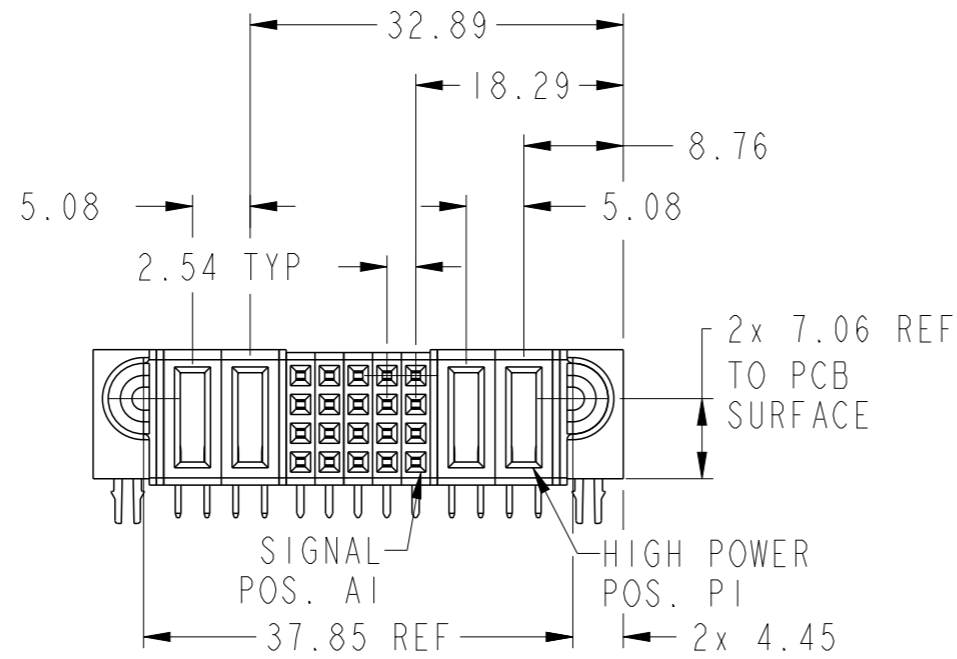
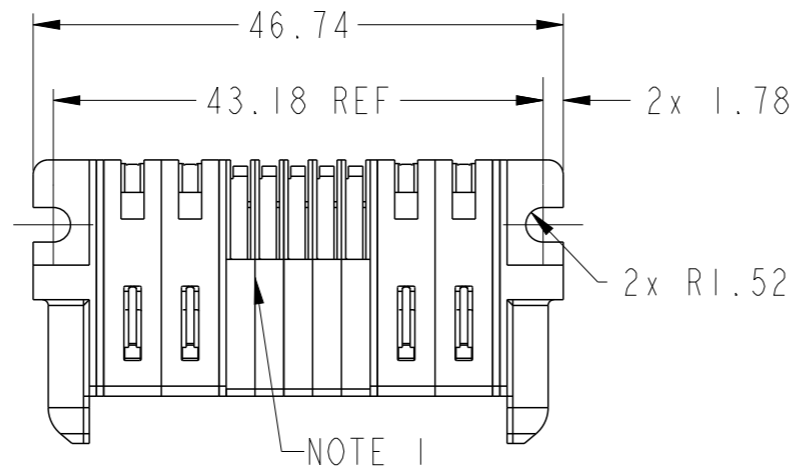


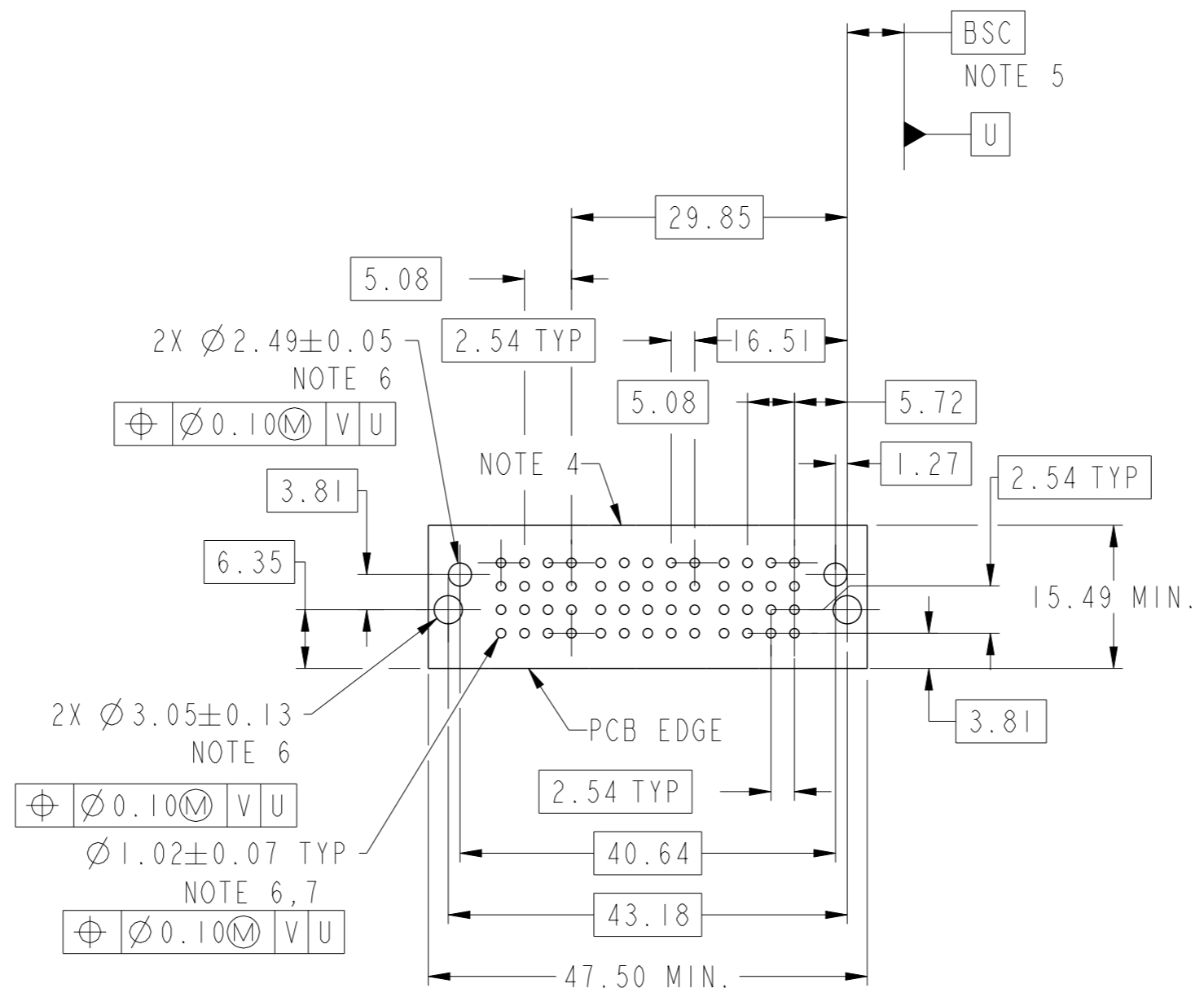
PRODUCT NUMBER SEE SHEET 2



| | | | | | | | | | | | | | | | | | | | |
|---------------------------------------|--|------|----------------|------------|----------------|-----------|-----------|----------|----------|-----|--|---|----------------------------|----------|-------------|--|----------|------------------------|--------------|
| spec ref | * | dr | Rainbow Zhan | 2015/02/25 | projection | MM | size | A3 | scale | 3:2 | | | | | | | | | |
| tolerance std | ASME Y14.5 | eng | Rainbow Zhan | 2015/03/03 | | | ecn no | | - | | | | | | | | | | |
| TOLERANCES UNLESS OTHERWISE SPECIFIED | | chr | - | - | | | rel level | | Released | | | | | | | | | | |
| surface | <input checked="" type="checkbox"/> linear <input type="checkbox"/> angular | appr | Pei-Ming Zheng | 2015/03/03 | product family | PwrBlade+ | rel level | Released | | | | | | | | | | | |
| ASME Y14.5 | <table border="1"> <tr> <td>0.X</td> <td>±0.5</td> </tr> <tr> <td>0.XX</td> <td>±0.25</td> </tr> <tr> <td>0.XXX</td> <td>±0.10</td> </tr> <tr> <td>0°</td> <td>±2°</td> </tr> </table> | 0.X | ±0.5 | 0.XX | ±0.25 | 0.XXX | ±0.10 | 0° | ±2° | | | title 2HDP + 20S + 2HDP RA STB RECEPTACLE | dwg no 10106134-4005001 | rev A | www.fci.com | | cat. no. | Product - Customer Drw | sheet 1 of 3 |
| 0.X | ±0.5 | | | | | | | | | | | | | | | | | | |
| 0.XX | ±0.25 | | | | | | | | | | | | | | | | | | |
| 0.XXX | ±0.10 | | | | | | | | | | | | | | | | | | |
| 0° | ±2° | | | | | | | | | | | | | | | | | | |

| | | | | | | | | | | | | | |
|-----------------------------------|--------------|------------|----|----|--------|---|---|---|---|------------|----|----|--|
| PRODUCT NO. 10106134-4005001LF | ROWS DCBA | HIGH POWER | | | SIGNAL | | | | | HIGH POWER | | E2 | |
| | | E1 | P4 | P3 | 5 | 4 | 3 | 2 | 1 | P2 | P1 | | |
| | | H3 | H3 | H | H | H | H | H | H | H | H3 | H3 | |
| | | | | G | G | G | G | G | | | | | |
| | | | | F | F | F | F | F | | | | | |
| | | | | E | E | E | E | E | | | | | |

| CODE | DESCRIPTION |
|------|------------------------------|
| E | STD SIGNAL CONTACT, ROW A |
| F | STD SIGNAL CONTACT, ROW B |
| G | STD SIGNAL CONTACT, ROW C |
| H | STD SIGNAL CONTACT, ROW D |
| H3 | STD HIGH POWER CONTACT(3.43) |
| HA | METAL HOLD DOWN |



Copyright FCI.

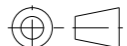
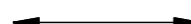

| | | | | | | | | |
|-------------|----------------|------------|---|----|----------------------------|----|--------------|-----|
| dr | Rainbow Zhan | 2015/02/25 | projection | MM | size | A3 | scale | 3:2 |
| eng | Rainbow Zhan | 2015/03/03 | | | ecn no | | - | |
| chr | - | - | | | rel level | | Released | |
| appr | Pei-Ming Zheng | 2015/03/03 | product family | | PwrBlade+ | | Released | |
| | | | title 2HDP + 20S + 2HDP RA STB RECEPTACLE | | dwg no 10106134-4005001 | | rev A | |
| www.fci.com | | | cat. no. | | Product - Customer Drw | | sheet 2 of 3 | |

NOTES:

- 1) "FCI", PART NUMBER AND DATE CODE TO BE MARKED ON THIS SURFACE.
THE MARK CAN BE OMITTED IF THERE IS NOT ENOUGH SPACE ON THIS SURFACE.
- 2) MATERIALS:
-HOUSING - GLASS FILLED WITH HIGH TEMP THERMOPLASTIC, UL94V-0.
-SIGNAL CONTACT - COPPER ALLOY.
-POWER CONTACT - HIGH CONDUCTIVITY COPPER ALLOY.
- 3) PLATING SPECIFICATION REFER TO FCI 10116351
- 4) DENOTES CONNECTOR KEEP OUT ZONE.
- 5) DATUM AND BASIC DIMENIONS WERE ESTABLISHED BY CUSTOMER.
- 6) ALL HOLE DIAMETERS ARE FINISHED HOLE SIZES.
- 7) 1.15 ± 0.025 MM DRILLED HOLE PLATED WITH 0.00762MM MIN Sn
OVER 0.0254-0.0762MM Cu PLATING TO ACHIEVE A 1.02 ± 0.07 MM HOLE.
- 8) PRODUCT SPECIFICATION REFER TO FCI GS-12-658.
APPLICATION SPECIFICATION REFER TO FCI GS-20-141.
PRODUCT PACKAGED IN TRAYS, REFER TO FCI GS-14-1502.
- 9) THE VOID CORING IN BETWEEN POWER MODULES, SIGNAL
MODULES AND END MODULES ARE OPTIONAL AND THE SHAPE
MAY BE DIFFERENT FOR OPTIMIZE THE MOLDING PROCESS. THE
VOID CORING WILL NOT EFFECT TO PRODUCT FUNCTION.



Copyright FCI.

| | | | | | | | | |
|---|----------------|---|---|---|--------------|----------|-------|-----|
| dr | Rainbow Zhan | 2015/02/25 | projection  | MM  | size | A3 | scale | 3:2 |
| eng | Rainbow Zhan | 2015/03/03 | | | ecn no | - | | |
| chr | - | - | | | rel level | Released | | |
| appr | Pei-Ming Zheng | 2015/03/03 | product family | PwrBlade+ | | | | |
|  | | title 2HDP + 20S + 2HDP RA STB RECEPTACLE | | dwg no 10106134-4005001 | rev A | | | |
| www.fci.com | | cat. no. | Product - Customer Drw | | sheet 3 of 3 | | | |