

# HARDWARE & ACCESSORIES

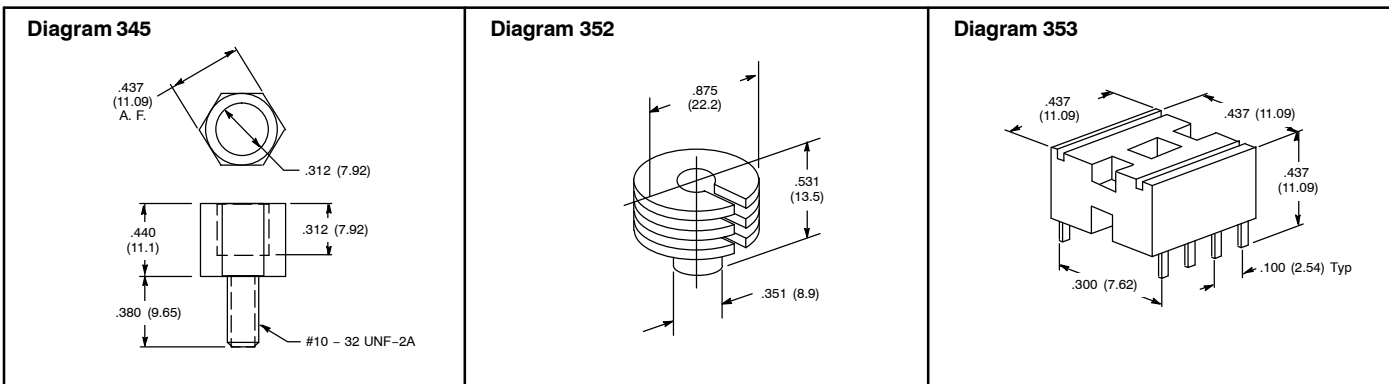
NTE Type Number	Diagram Number	Quantity Per Pkg	<b>SEMICONDUCTOR HEAT SINKS</b>
NTE400	362	2	Heat Sink for TO5/TO39 Type Package
NTE401	352	2	Heat Sink for TO5/TO39 Type Package
NTE402	363	2	Heat Sink for Mounting 2 Plastic Power Types (TO3P, TO126, TO127, TO202, TO218, TO220)
NTE403	364	2	Heat Sink for Mounting 1 Plastic Power Type (TO3P, TO126, TO127, TO202, TO218, TO220)
NTE405	366	1	Heat Sink for TO3 Type Package (Includes Base and Top Piece)
NTE406	373	2	Heat Sink for TO202 Type Package
NTE406A	727	2	Heat Sink for TO220 Type Package
NTE410	354	2	Heat Sink for TO1 Type Package
NTE411	345	2	Stud Mount Heat Sink for TO5/TO39 Type Package
NTE412	367	2	Heat Sink for TO18 Type Package
NTE440A	520	1	Heat Sink, Undrilled Mounting Surface
NTE440B	520	1	Heat Sink, Drilled Mounting Surface for TO3, TO48, TO66, TO126, TO127, TO220, DO5 Type Packages
NTE440C	520	1	Heat Sink, Drilled Mounting Surface for TO3, TO36, TO64, DO4 Type Packages
NTE440D	520	1	Heat Sink, Undrilled Mounting Surface
NTE441A	521	1	Heat Sink, Drilled Mounting Surface for Solid State Relays
NTE442C	–	1	Heat Sink, Undrilled Mounting Surface
NTE448B	425	2	Heat Sink for 14/16 Lead DIP Type Package
NTE448E	426	2	Heat Sink for 24 Lead DIP Type Package
NTE448G	427	2	Heat Sink for 40 Lead DIP Type Package
NTE450A	420	1	Heat Sink for 14 Lead DIP Type Package
NTE493	612	1	Heat Sink for TO126 Type Package
NTE494	613	1	Heat Sink for TO220 Type Package
NTE495	614	1	Heat Sink for Plastic Power Type Packages
NTE496	615	1	Heat Sink for Plastic Power Type Packages
NTE497	616	1	Heat Sink for TO220 Type Package
NTE498	617	1	Heat Sink for Plastic Power Type Packages
			<b>HEAT SINK COMPOUND</b>
NTE303	482	5	Silicone Thermal Compound, 1 Gram/Tube
NTE303A	623	1	Silicone Thermal Compound, 1 oz/Plunger Tube
NTE424	623	1	Non-Silicone Heat Sink Compound, 1 oz/Plunger Tube
NTE425	–	3	Thermal Interface Pad, Self-Adhesive, 1.65" x 1.65"
NTE434	778	1	Non-Corrosive Adhesive/Sealant, 2 oz/Squeeze Tube
			<b>INSULATOR KITS</b> (Each Kit Includes Mica Insulator & Nylon Bushing)
NTE413	–	2	Insulator Kit for TO3 Type Package
NTE414	–	2	Insulator Kit for TO36 Type Package (Includes Lock Washer, Solder Lug, and Nut)
NTE415	–	2	Insulator Kit for TO66 Type Package
NTE422	–	2	Insulator Kit for TO220 (Plastic TO66) Type Package
NTE438	–	1	Insulator Kit for DO4/TO64 Stud Type Package (Includes Flat Washer and Nut)
NTE439	–	1	Insulator Kit for DO5/TO48 Stud Type Package (Includes Flat Washer, Lock Washer Solder Lug, and Nut)
			<b>SOCKETS</b>
NTE209	355	2	Socket for TO3 Type Package
NTE409	356	2	Socket for 14 Lead DIP Type Package
NTE416	357	2	Socket for 16 Lead DIP Type Package
NTE417	368	2	Socket for 3 Lead TO18/TO92 Type Package
NTE419	370	2	Socket for 3 Lead TO5/TO39 Type Package ( <b>NOTE:</b> Housing color may vary)
NTE421	372	2	Socket for TO66 Type Package
NTE423	353	2	Socket for 8 Lead DIP Type Package

See Diagrams, beginning on Page 1–378

# HARDWARE & ACCESSORIES

NTE Type Number	Diagram Number	Quantity Per Pkg	SOCKETS (Cont'd)
NTE428	358	2	Socket for 24 Lead DIP Type Package
NTE429	359	2	Socket for 28 Lead DIP Type Package
NTE430	360	1	Socket for 40 Lead DIP Type Package
NTE435K28	561	2	Socket for 28 Lead DIP Type Package, 0.070 (1.78) Lead Spacing
NTE435K30	562	2	Socket for 30 Lead DIP Type Package, 0.070 (1.78) Lead Spacing
NTE435K42	563	1	Socket for 42 Lead DIP Type Package, 0.070 (1.78) Lead Spacing
NTE435K52	632	1	Socket for 52 Lead DIP Type Package, 0.070 (1.78) Lead Spacing
NTE435K64	564	1	Socket for 64 Lead DIP Type Package, 0.070 (1.78) Lead Spacing
NTE435P6	524	2	Socket for 6 Lead DIP Type Package
NTE435P18	374	2	Socket for 18 Lead DIP Type Package
NTE435P20	375	2	Socket for 20 Lead DIP Type Package
NTE435P22	376	2	Socket for 22 Lead DIP Type Package
NTE435P42	588	1	Socket for 42 Lead DIP Type Package
NTE436W14	526	2	Socket for 14 Lead DIP Type Package, Wire Wrap Leads
NTE436W16	527	2	Socket for 16 Lead DIP Type Package, Wire Wrap Leads
NTE436W18	528	2	Socket for 18 Lead DIP Type Package, Wire Wrap Leads
NTE436W24	531	1	Socket for 24 Lead DIP Type Package, Wire Wrap Leads
NTE436W28	532	1	Socket for 28 Lead DIP Type Package, Wire Wrap Leads
NTE436W40	533	1	Socket for 40 Lead DIP Type Package, Wire Wrap Leads
			<b>MOUNTING CLIPS</b>
LED-MC	714	5	Mounting Clip (2 Piece) for T-1 3/4 (5mm) LEDs
LED-MC2	715	5	Mounting Clip for T-1 3/4 (5mm) LEDs
LED-MC3	733	5	Mounting Clip for T-1 (3mm) LEDs
LED-MC8	731	3	Mounting Clip for 8mm LEDs
LED-MC10	732	3	Mounting Clip for T-3 1/4 (10mm) LEDs
			<b>HARDWARE</b>
NTE426	-	2	Metric Hardware Kit TO220 Type Package (Includes 3mm Nuts and Bolts)
NTE433	418	1	High Voltage Splices for CRT Anode Leads (40KV Insulation)
TCO-SPLICE	791	1	Parallel, Non-Insulated, Seamless Splice for TCOs

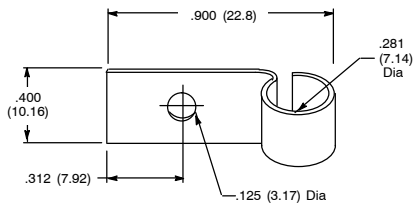
# DIMENSIONAL OUTLINE DRAWINGS



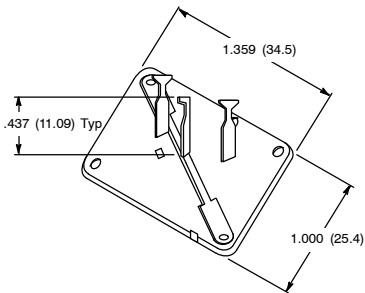
See Diagrams, beginning on Page 1-378

# DIMENSIONAL OUTLINE DRAWINGS

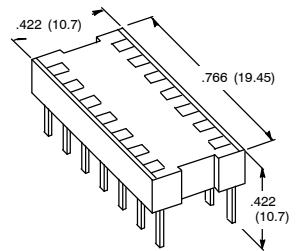
**Diagram 354**



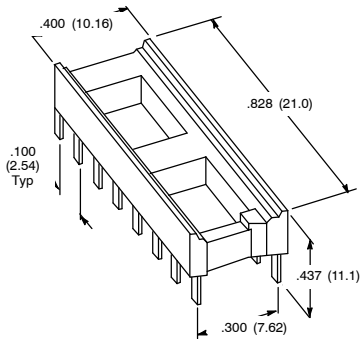
**Diagram 355**



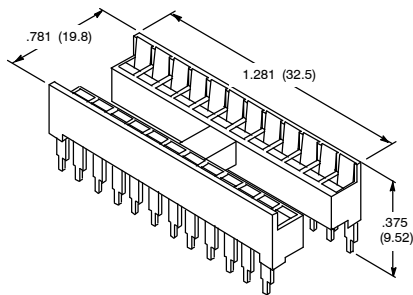
**Diagram 356**



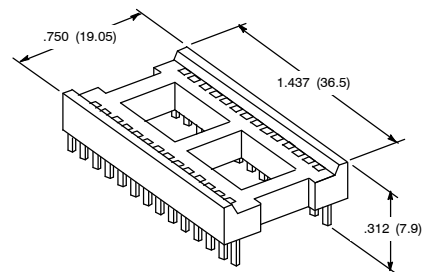
**Diagram 357**



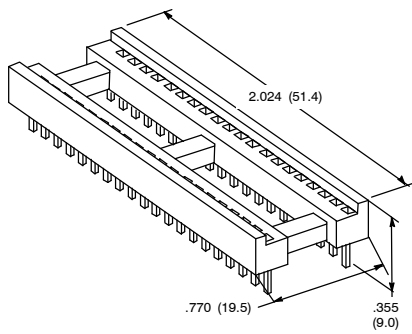
**Diagram 358**



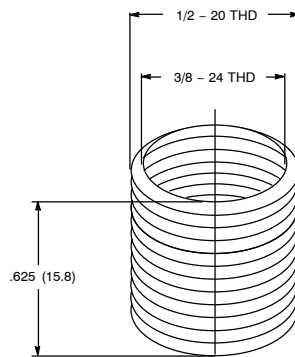
**Diagram 359**



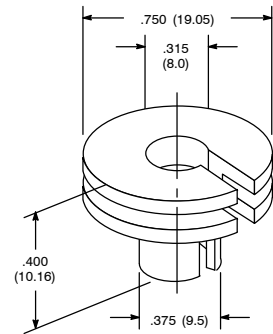
**Diagram 360**



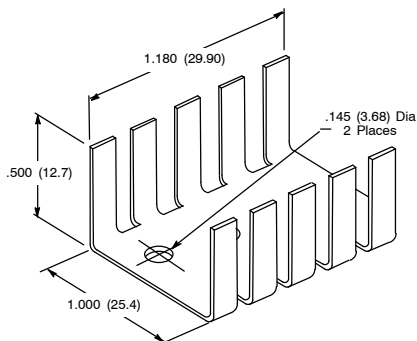
**Diagram 361**



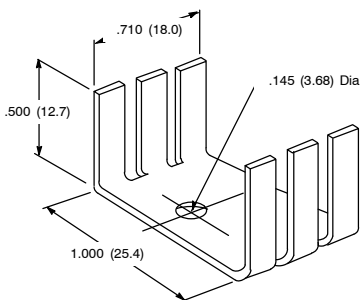
**Diagram 362**



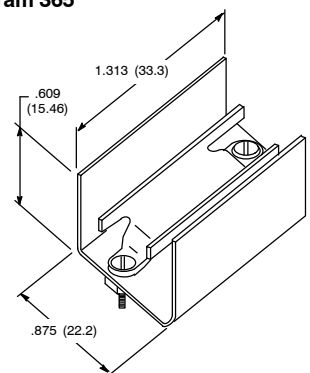
**Diagram 363**



**Diagram 364**

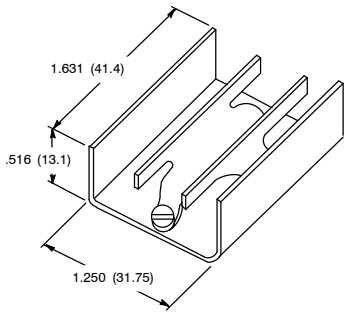


**Diagram 365**

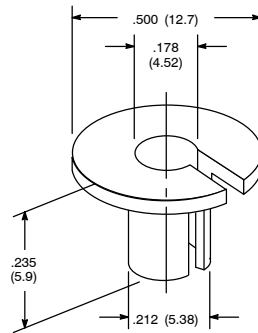


# DIMENSIONAL OUTLINE DRAWINGS

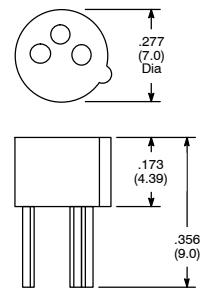
**Diagram 366**



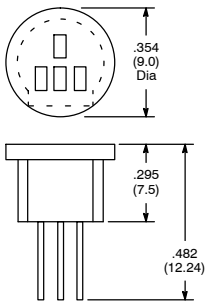
**Diagram 367**



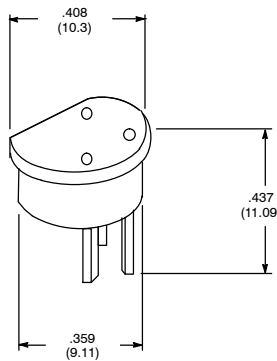
**Diagram 368**



**Diagram 369**

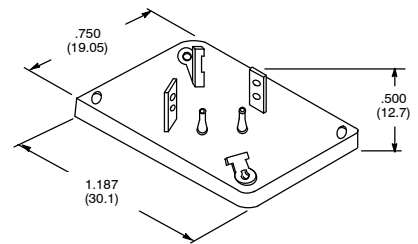


**Diagram 370**

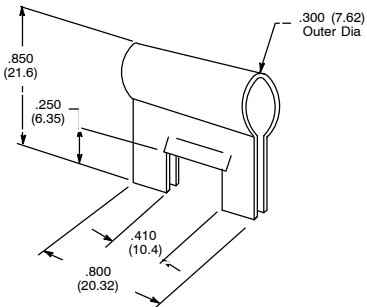


**NOTE:** May come with pin leads (PC mount) or solder lugs.  
Please consult factory before ordering.

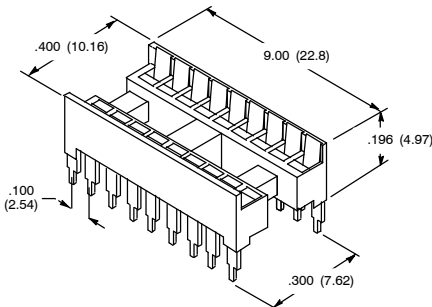
**Diagram 372**



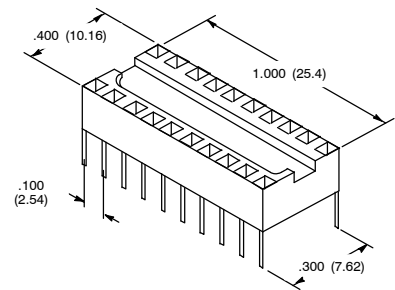
**Diagram 373**



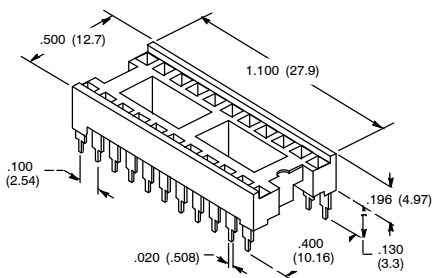
**Diagram 374**



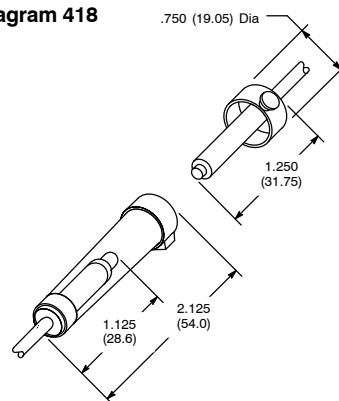
**Diagram 375**



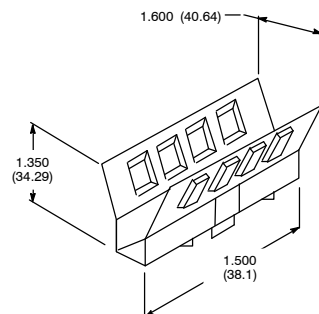
**Diagram 376**



**Diagram 418**

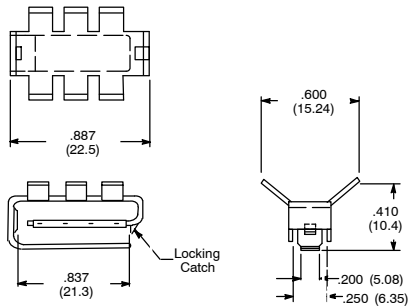


**Diagram 420**

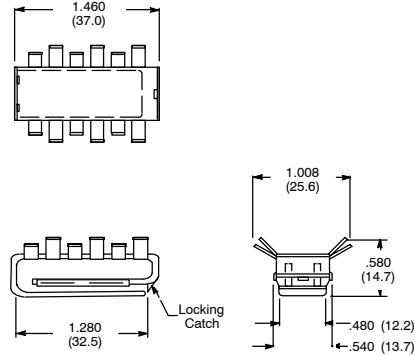


# DIMENSIONAL OUTLINE DRAWINGS

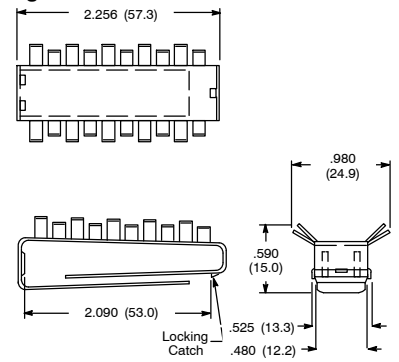
**Diagram 425**



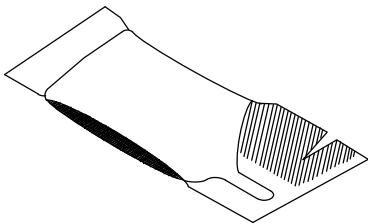
**Diagram 426**



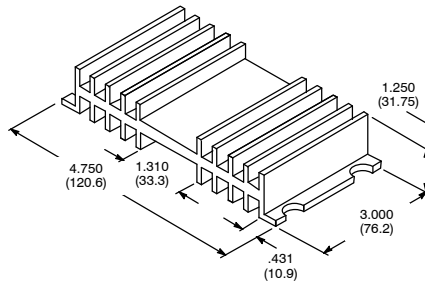
**Diagram 427**



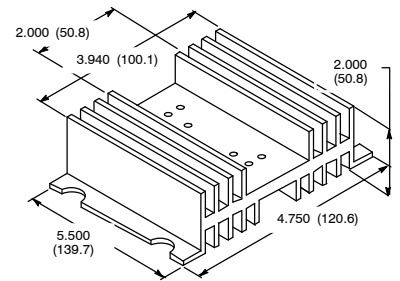
**Diagram 482**



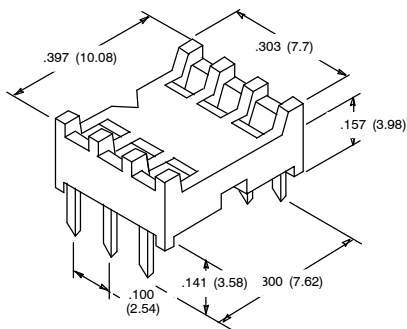
**Diagram 520**



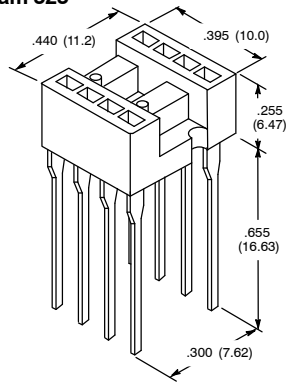
**Diagram 521**



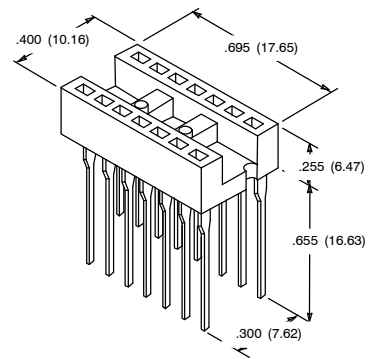
**Diagram 524**



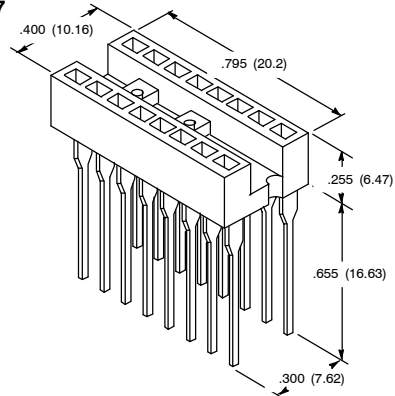
**Diagram 525**



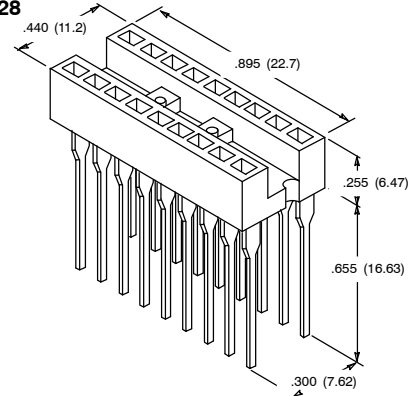
**Diagram 526**



**Diagram 527**

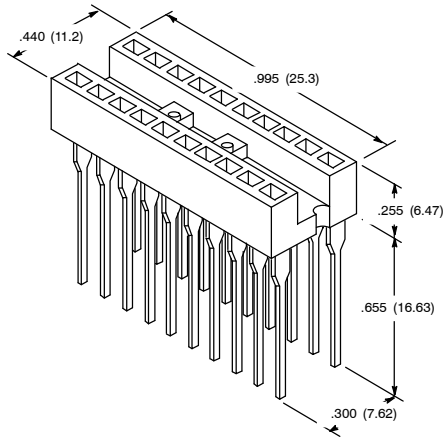


**Diagram 528**

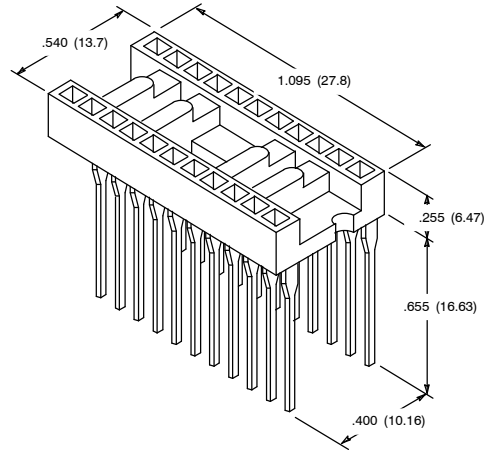


# DIMENSIONAL OUTLINE DRAWINGS

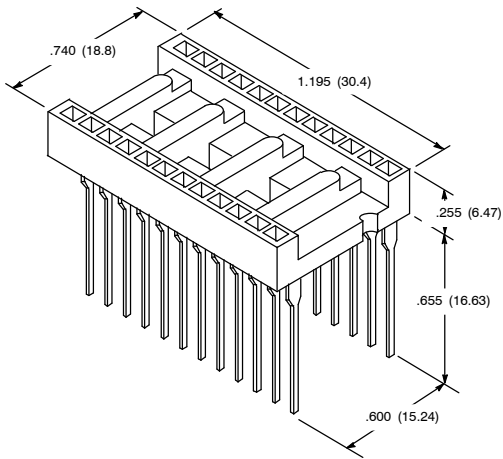
**Diagram 529**



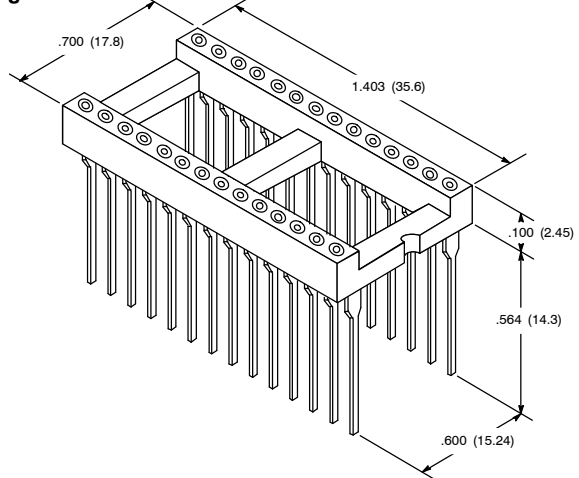
**Diagram 530**



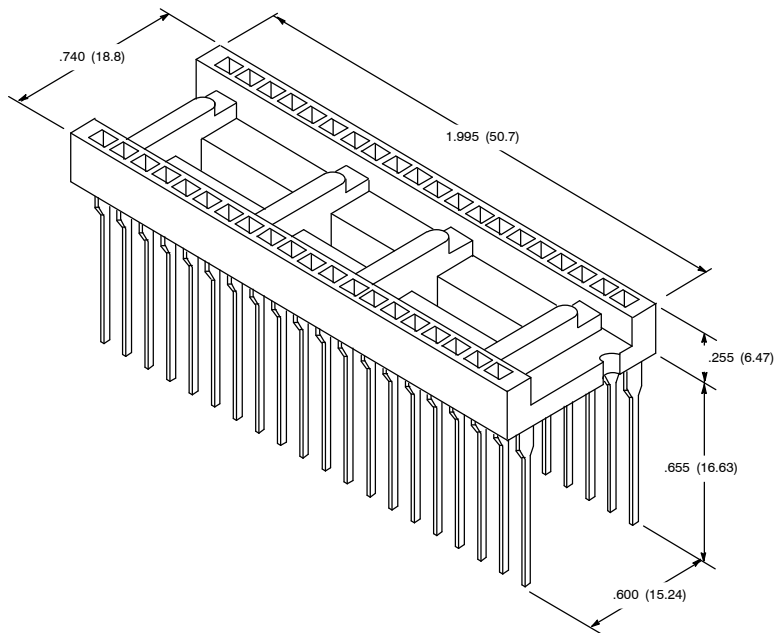
**Diagram 531**



**Diagram 532**



**Diagram 533**



# DIMENSIONAL OUTLINE DRAWINGS

Diagram 561

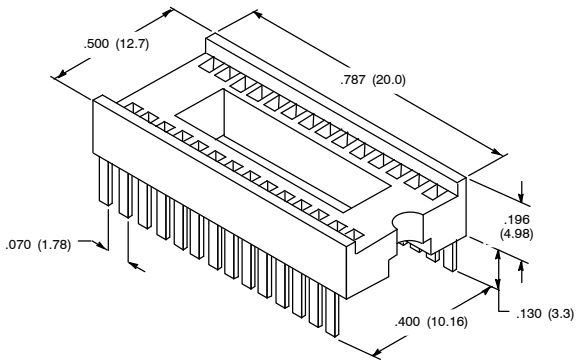


Diagram 562

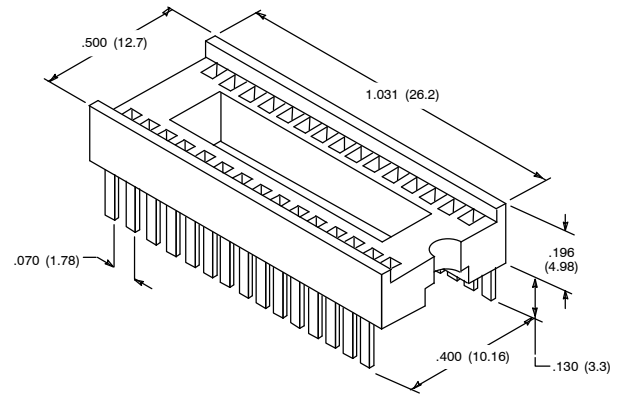


Diagram 563

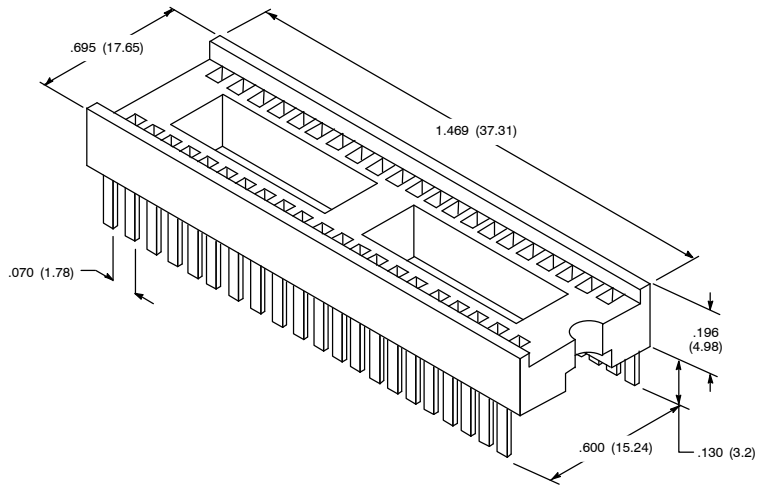
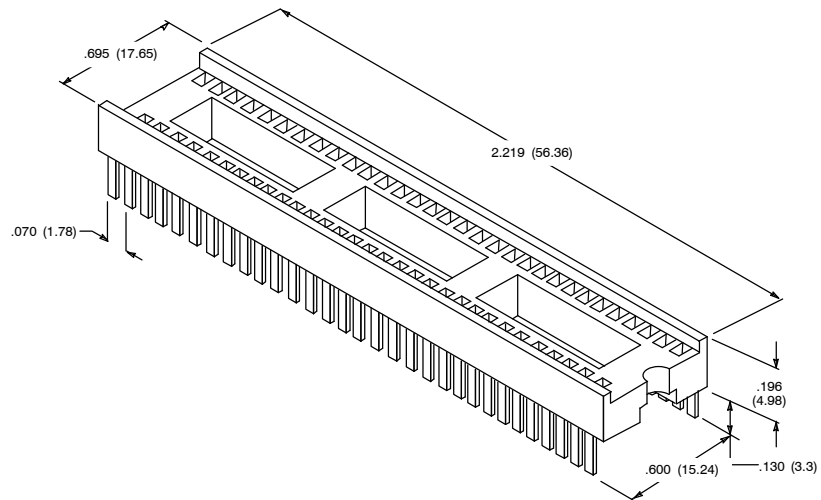


Diagram 564



# DIMENSIONAL OUTLINE DRAWINGS

Diagram 588

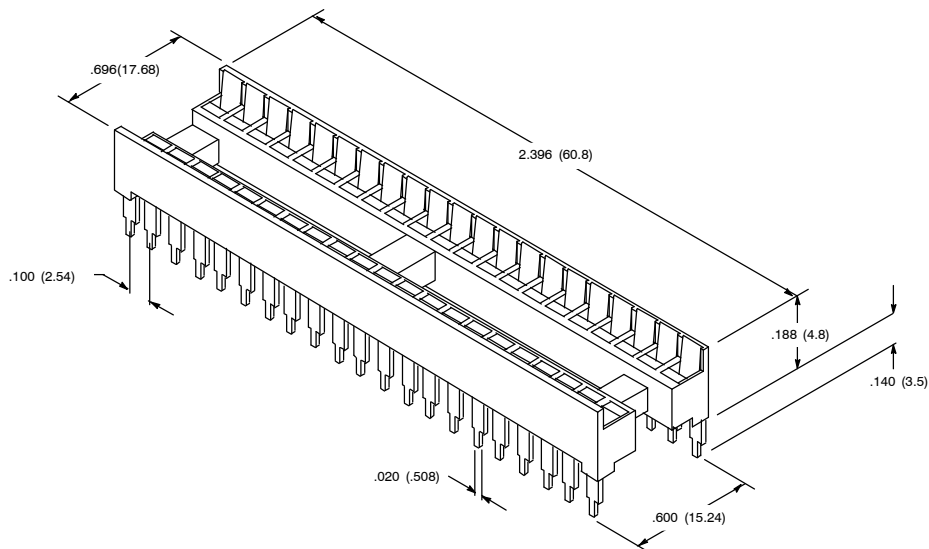


Diagram 612

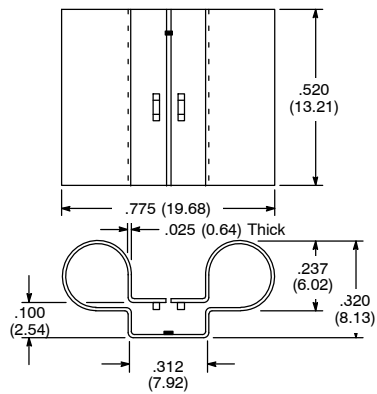


Diagram 613

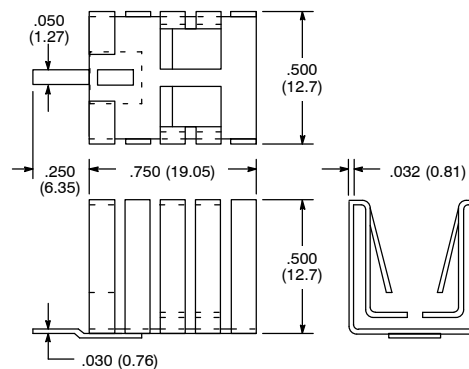


Diagram 614

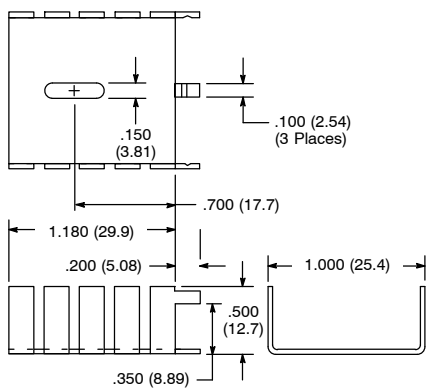
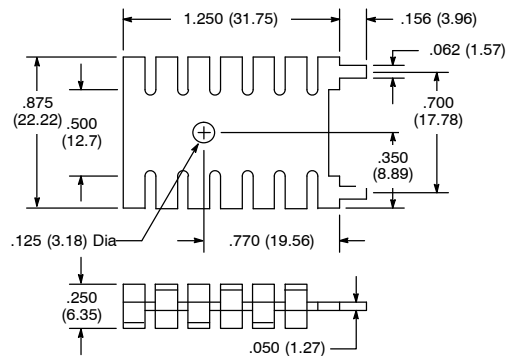


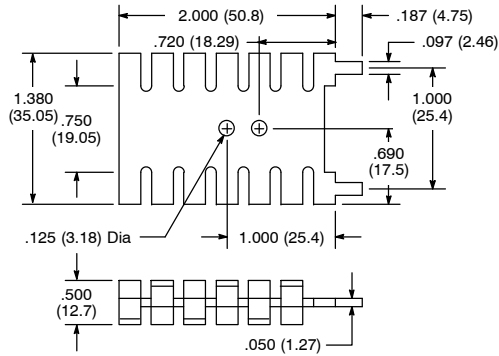
Diagram 615



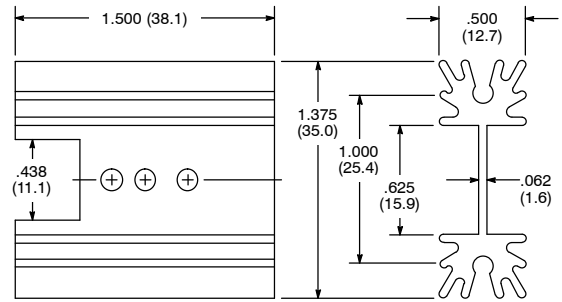


# DIMENSIONAL OUTLINE DRAWINGS

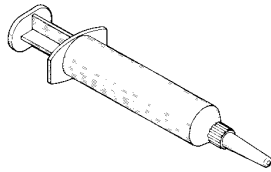
**Diagram 616**



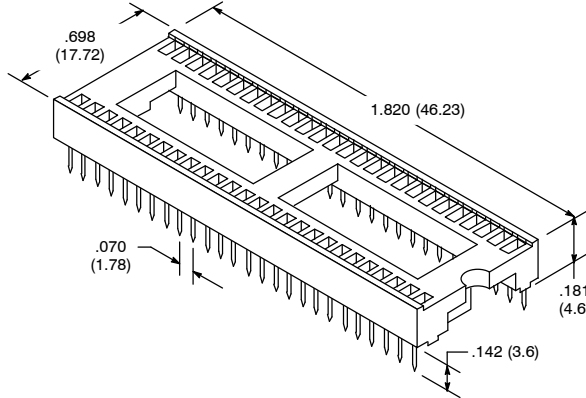
**Diagram 617**



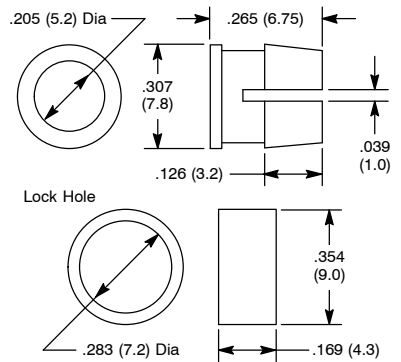
**Diagram 623**



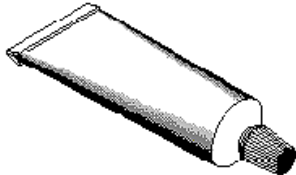
**Diagram 632**



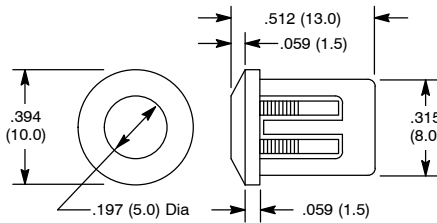
**Diagram 632**



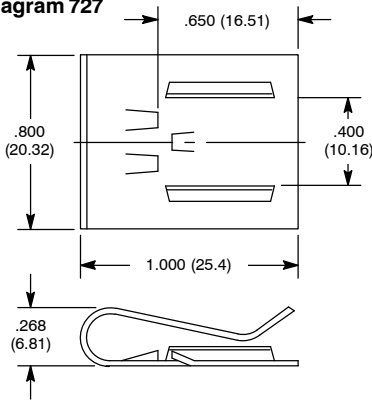
**Diagram 778**



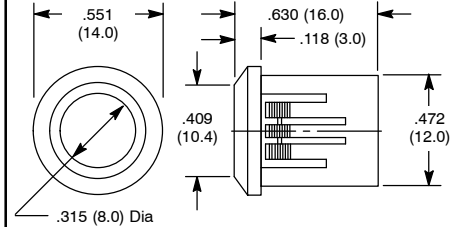
**Diagram 715**



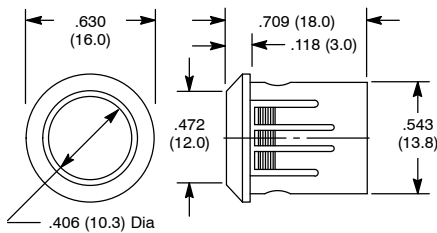
**Diagram 727**



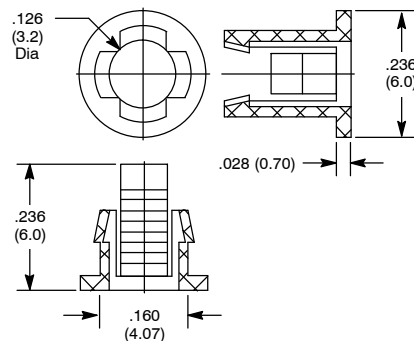
**Diagram 731**



**Diagram 732**



**Diagram 733**



**Diagram 791**

