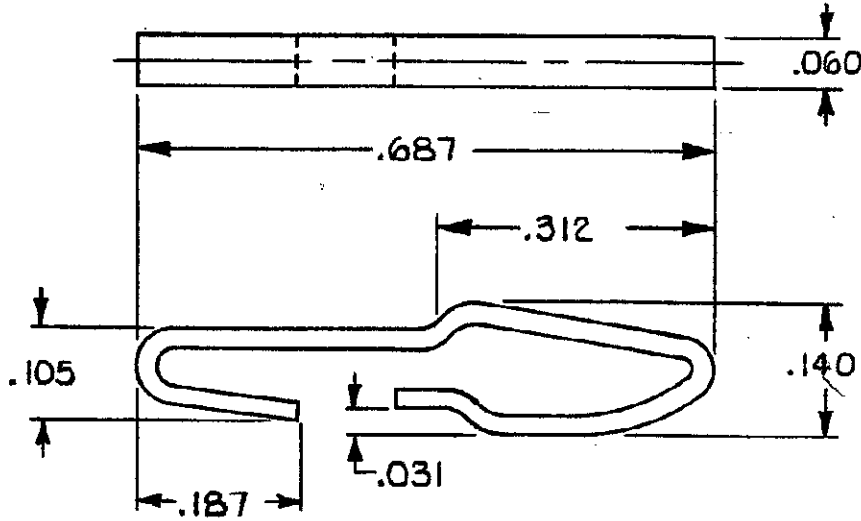
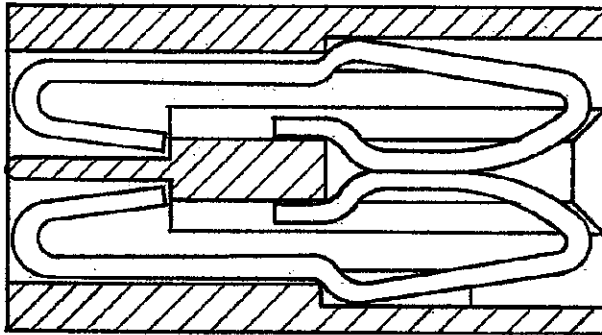


DRAWING MADE IN THIRD ANGLE PROJECTION

LOC FT DIST 22

REVISIONS					
P	F	LTR	DESCRIPTION	DATE	APPROVED
✓	✓	G1	REDRAWN W/O CHANGE ADO895	9/17/85	CP
✓	✓	H	REV PER EC 0320-349-97	20 NOV 97	NS



.000030 GOLD OVER NICKEL	42973-3
UNPLATED	42973-2
NICKEL .000050 THICK	42973-1
FINISH	PART NO

THIS DRAWING IS UNPUBLISHED. RELEASED FOR PUBLICATION
 BY AMP INCORPORATED, HARRISBURG, PA. ALL INTERNATIONAL RIGHTS RESERVED. AMP PRODUCTS MAY BE COVERED BY U.S. AND FOREIGN PATENTS AND/OR PATENTS PENDING.

UNLESS OTHERWISE SPECIFIED DIMENSIONS ARE IN INCHES. TOLERANCES ON: DECIMALS ±.015 ANGLES ±

MATERIAL
STAINLESS STEEL
 301 .020 THK.

FINISH
SEE TABLE

CONTRACT NO

DR *Craig Pierce 9-13-85*

CHK *H.W. Rosa 9/16/85*

APPD *Howard W. Rosa 9/16/85*

APPD

DSGN APPD

OTHER APPD

AMP | AMP INCORPORATED
 Harrisburg, Pa. 17105

NAME
SPRING, RETAINING, AMP LEAF

SIZE **A** FSCM NO **00779** DRAWING NO **42973**

SCALE 5:1 SHEET 1 OF 1