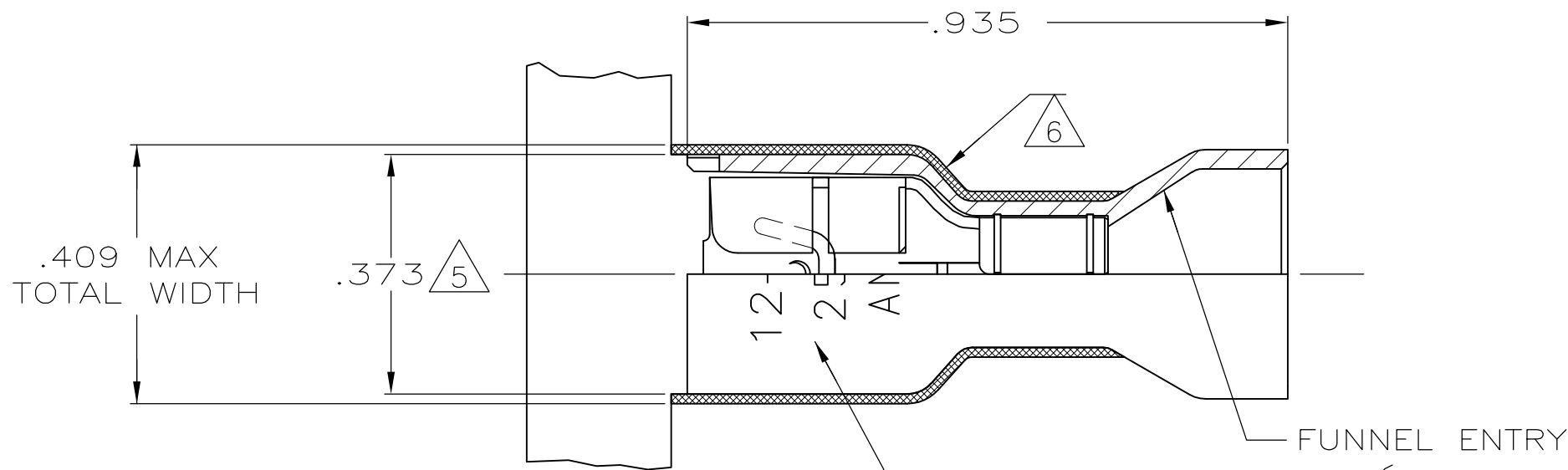
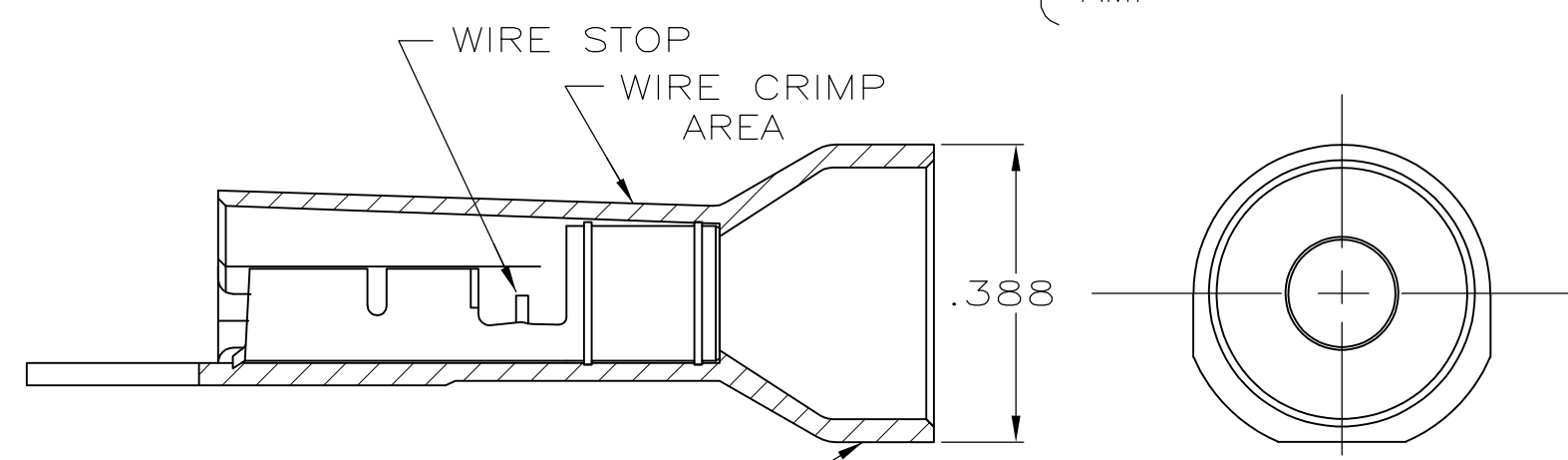
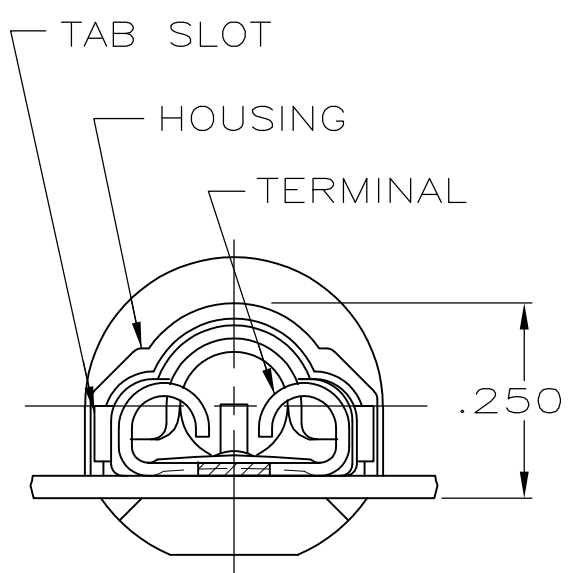


THIS DRAWING IS UNPUBLISHED. RELEASED FOR PUBLICATION  
 © COPYRIGHT - By - ALL RIGHTS RESERVED.

LOC	DIST	REVISIONS			
P	LTR	DESCRIPTION	DATE	DWN	APVD
AF	50	L	REVISED PER ECR-13-004343	30JUL13	KH KR



- 1 MATES WITH .032±.001x.250 TAB
- 2 WIRE STRIP LENGTH .312
- 3 INSULATION SIZE .320 MAX DIA
- 4 CONTINUOUS STRIP ON REELS
- △5 DIMENSION DOES NOT INCLUDE TRIM BURR
- △6 .015 MAX CARRIER TRIM BURR PER SIDE IS ALLOWABLE IN THE SHADED AREA



HOUSING: NYLON, COLOR-BLACK TRANSLUCENT RECEPTACLE: BRASS, TIN	9-520447-2
HOUSING: NYLON, COLOR-YELLOW TRANSLUCENT RECEPTACLE: BRASS, TIN	4-520447-2
MATERIAL & FINISH	PART NO

THIS DRAWING IS A CONTROLLED DOCUMENT.		DWN P FORTNEY 11/4/88	<b>TE Connectivity</b> RECEPTACLE ASSEMBLY, ULTRA-FAST, .250 SERIES, 12-10 AWG		
DIMENSIONS: INCHES		CHK MS FEHER 11/7/88			
TOLERANCES UNLESS OTHERWISE SPECIFIED:		APVD K RANDOLPH 11/7/88			
0 PLC ± - 1 PLC ± - 2 PLC ± - 3 PLC ± .015 4 PLC ± - ANGLES ± -		NAME			
MATERIAL SEE TABLE		FINISH SEE TABLE	PRODUCT SPEC 108-2043	SIZE	RESTRICTED TO
			APPLICATION SPEC 114-2123	CAGE CODE A300779	REV L
			WEIGHT -	DRAWING NO C-520447	
			CUSTOMER DRAWING	SCALE 4:1	SHEET 1 OF 1