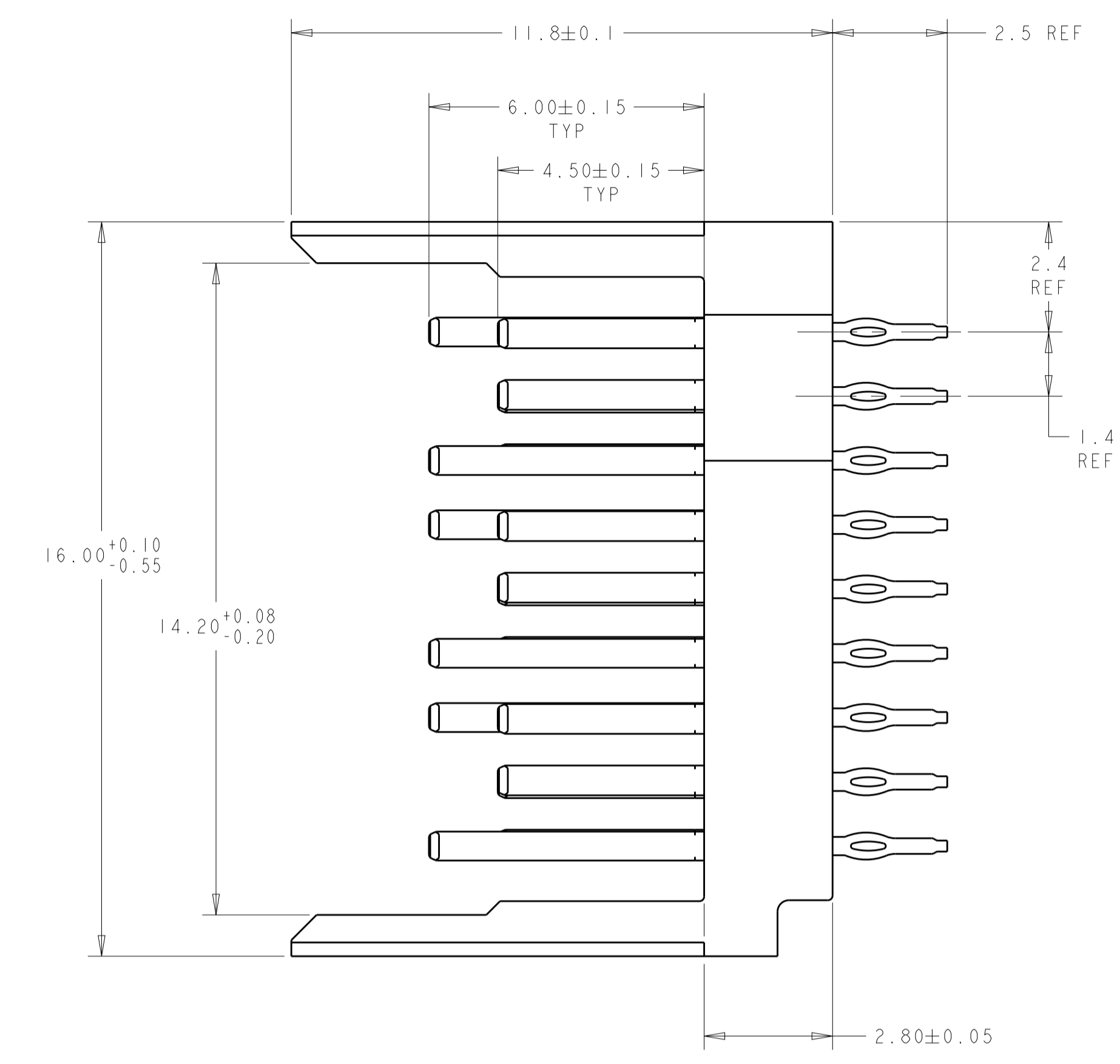
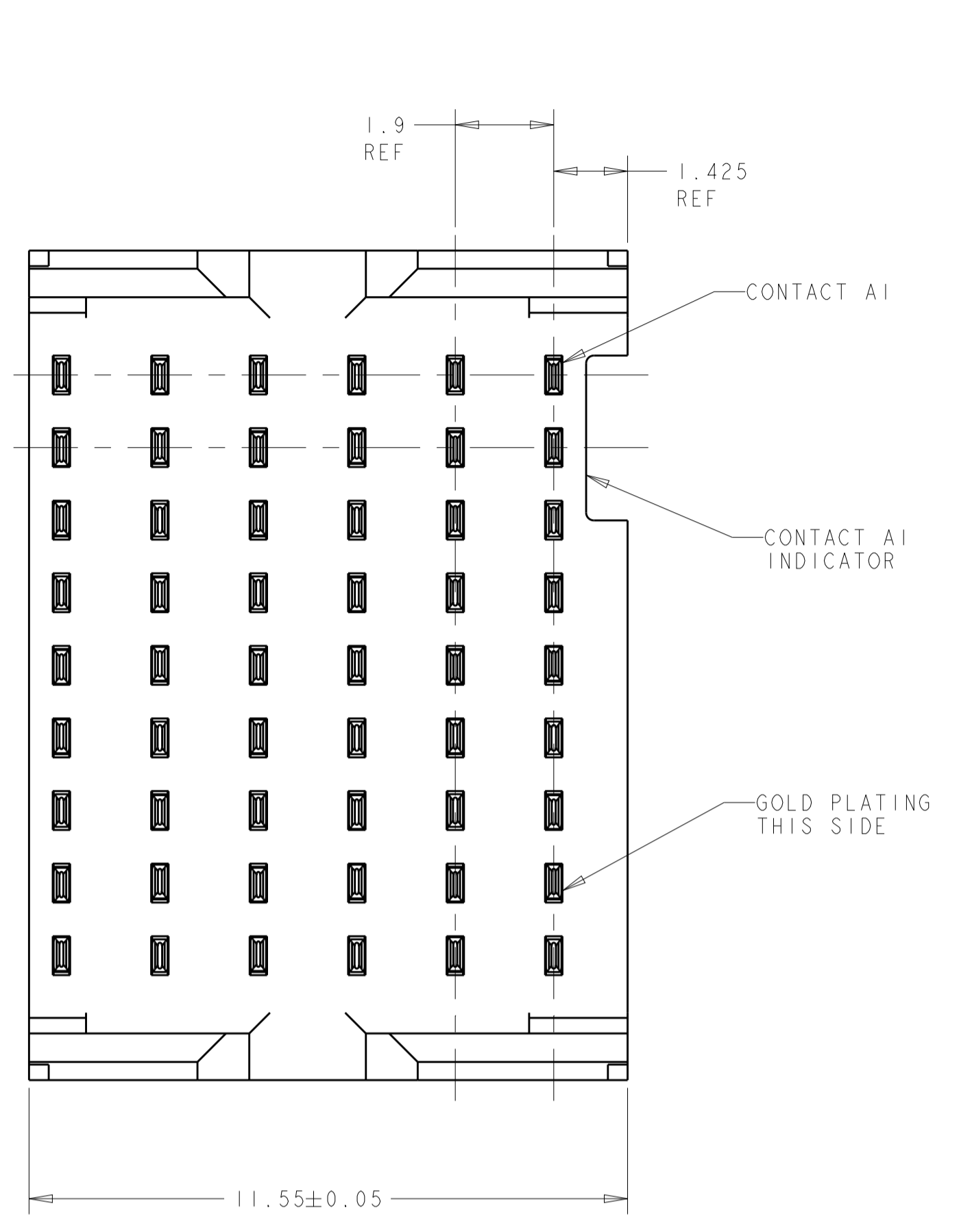
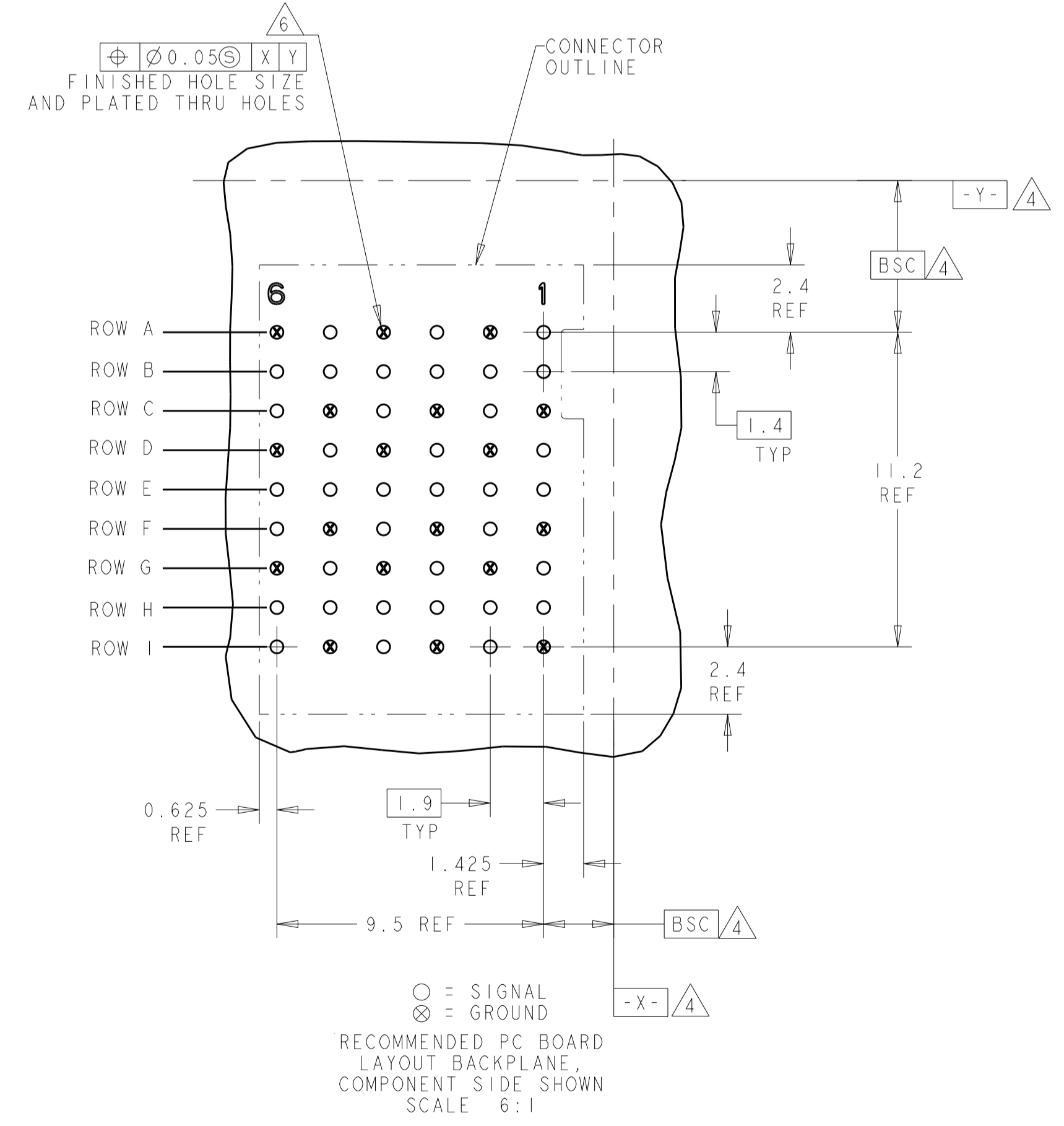
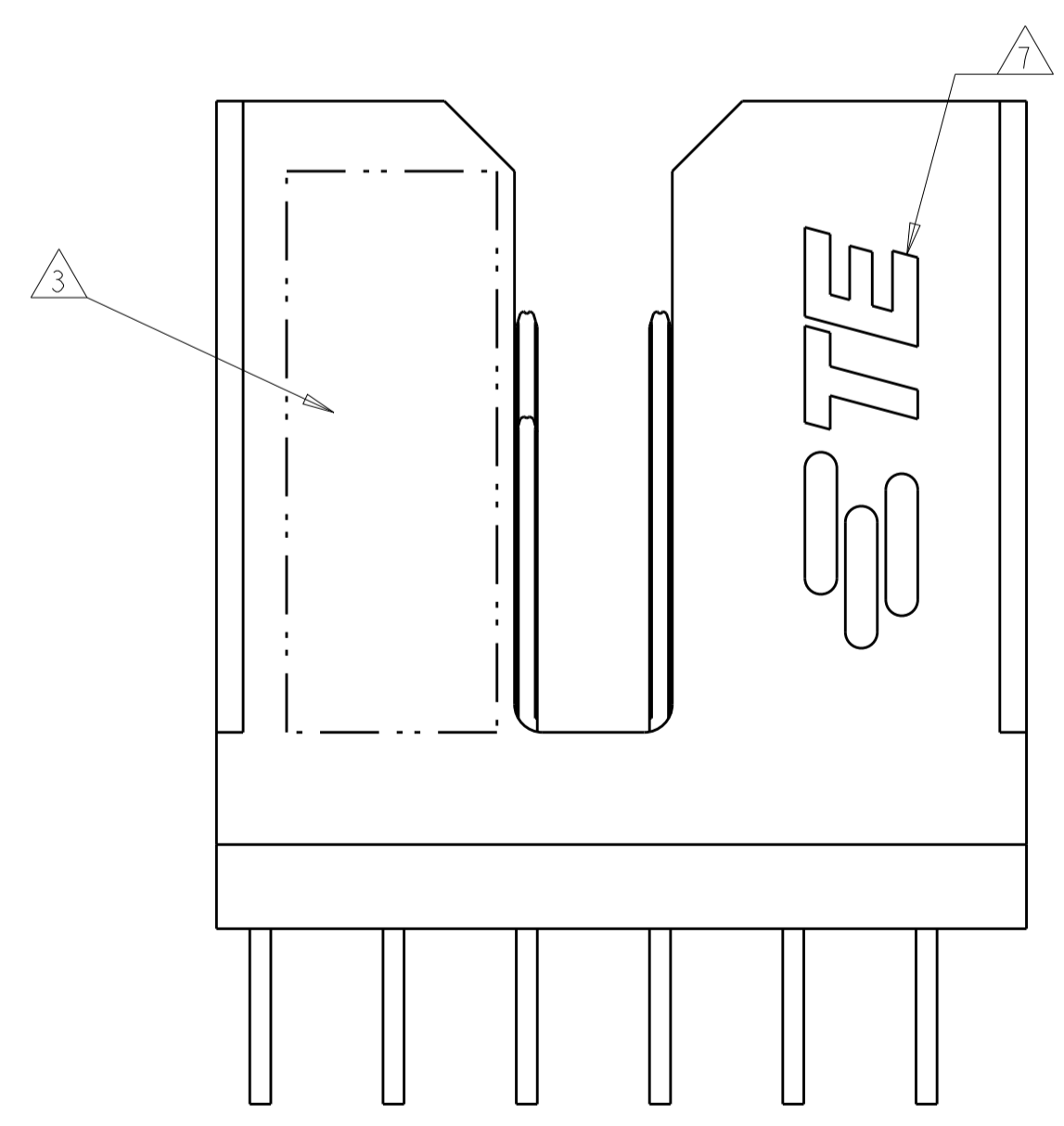


LOC		DIST		REVISIONS			
P	LTN	DESCRIPTION	DATE	DMN	APVD		
D		REVISED PER ECO-13-010626	31JUL2013	KH	RP		
E		REVISED PER ECO-19-009248	05JUL2019	AP	SY		



- 1 MATERIAL:  
CONTACT - PHOS BRONZE  
HOUSING - LCP, UL 94V-0, COLOR - BLACK
- 2 FINISH:  
CONTACT AREA FINISH CONFORMS TO THE REQUIREMENTS OF TE PRODUCT SPECIFICATION 108-2303; BASED ON TELCORDIA GR-1217-CORE FOR SYSTEM QUALITY LEVEL III, APPLICATIONS IN CONTROLLED ENVIRONMENTS (CENTRAL OFFICE).  
COMPLIANT PIN AREA- 0.5µm MIN MATTE TIN OVER 1.27µm MIN NICKEL.
- 3 CONNECTOR MARKED WITH PART NUMBER, DATE CODE AND STANDARD IN APPROXIMATE AREA SHOWN
- 4 DATUMS AND BASIC DIMENSIONS ESTABLISHED BY CUSTOMER.
- 5. CONTACT AREA LUBRICATED WITH BELLCORE APPROVED LUBRICANT. TECHNICAL REFERENCE GR-1217-CORE, ISSUE 1, NOVEMBER 1995.
- 6 REFERENCE APPLICATION SPEC 114-13202 FOR RECOMMENDED PLATED THRU HOLE DIAMETER AND PLATING THICKNESSES.
- 7 SHOWN LOGO OR OTHER TE OWNED LOGOS IN APPROXIMATE AREA.



1934335-1  
PART NUMBER

THIS DRAWING IS A CONTROLLED DOCUMENT.		DMN S. MAGARO 07JUN2007	TE Connectivity
DIMENSIONS: mm		CHK W. DAVIS 07JUN2007	
TOLERANCES UNLESS OTHERWISE SPECIFIED:		APVD P. PATTERSON 20AUG2008	NAME HEADER ASSEMBLY, OPEN ENDED, 3 PAIR, 6 COLUMN TinMan
0 PLC ± 1 PLC ± 2 PLC ± 3 PLC ± 4 PLC ± ANGLES ±		PRODUCT SPEC	
MATERIAL		APPLICATION SPEC	SIZE CAGE CODE DRAWING NO
FINISH		WEIGHT	A100779C=1934335
CUSTOMER DRAWING		SCALE 10:1	SHEET 1 OF 1 REV E