

SIZE	Part Num.	Threading	Jackscrew colour
25	86303639BLF	UNC 4.40	black
	86303644BLF	M3	grey
	86303644B100LF	M3	grey

NOTES:

Material: Nylon (UL94V-2)

Cable strain relief: Cable clamp with Self-faping screws

Temperature range: -40°C to 95°C

Cable diameter: 4.0 to 11.0mm

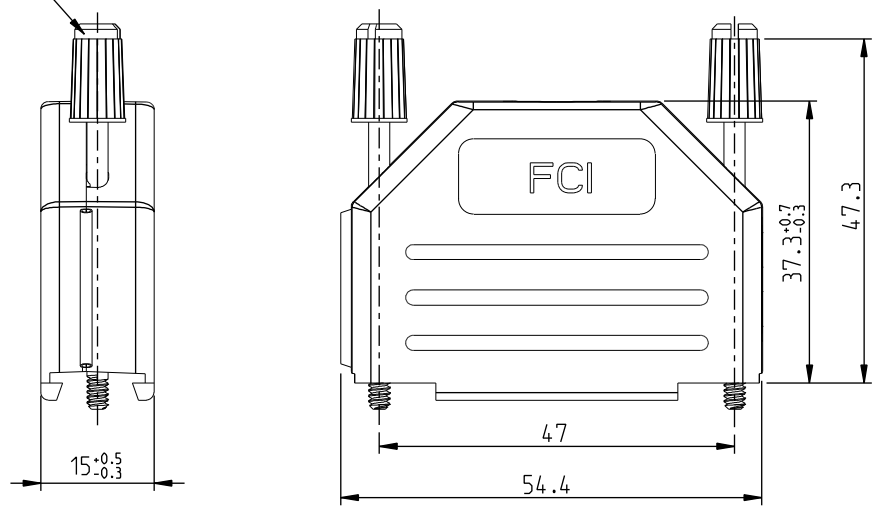
Jackscrew colour: black for 4.40 UNC }  
grey for M3.0

Packaging: - Part Num. ending BLF = Box of 100 individual sets.  
- Part Num. ending B100LF = Box of bulk components in plastic bags (see quantity on the table).

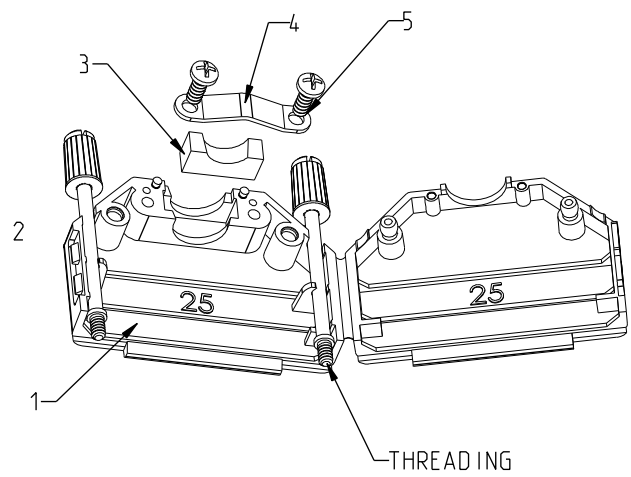
Cable clamp screwing force (max): 70 Ncm

Jack screws screwing force (max): 50 Ncm

See table for colour coding



- The "LF" product meets European Union Directives and other country regulations as described in GS-22-008.  
- The product is not intended to be exposed to a manufacturing solder process.  
- packaging spec; see GS-14-920.



DESIGNATION	REP	Qty per set	Qty per bulk
BACKSHELL	1	1	100
JACKSCREWS	2	2	200
GROMMET	3	1	100
CABLECLAMP	4	1	100
SCREWS POZIDRIVE	5	2	200

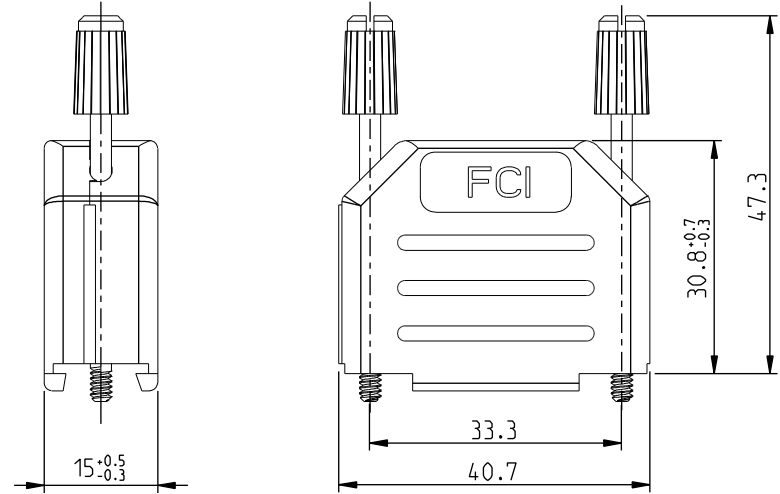
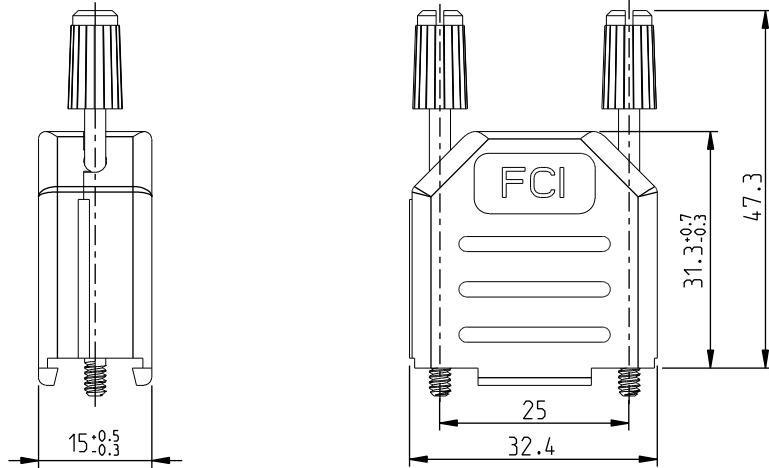
Copyright FCI.

Rev	ecn no	dr	date
A	LS05-0086	LGO	2005/10/10
B	LS06-0084	LGO	2006/06/20
C	LS08-0155	MPE	2008/06/27
D	F09-0223	LSA	2009/11/24
E	F10-0083	LSA	2010/08/04
-	-	-	-
-	-	-	-

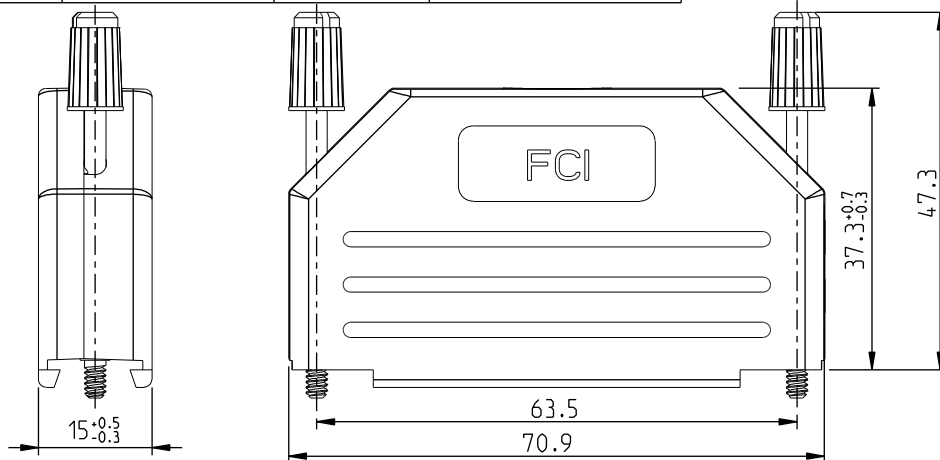
www.fciconnect.com		surface ISO 1302	-	tolerance std ISO 406	ISO 1101	projection	mm
TOLERANCES UNLESS OTHERWISE SPECIFIED							
Dr	GOISNARD L	2004.03.22	ANGULAR	0.x	±/	size	Scale 3:2
Eng	PESSON M	2004.03.22	LINEAR	0.xx	±/	A3	ECN F10-0083
Chr	LEGARE .P	2004.03.22	0° ±/	0.xxx	±/	Spec ref	-
Appr	LEGARE P	2004.03.22	Product family	D-SUB HOODS		-	
Title		D-SUB PLASTIC SHELLS		dwg no		10061215C	
STRAIGHT SNAP-TOGETHER		catalog no		see tables		CUSTOMER sheet 1 of 3	
Rev.		E		-		-	

SIZE	Part Num.	Threading	Jackscrew colour	Packaging box
9	86303637BLF	UNC 4.40	Black	Individual sets
	86553329BLF	M3	Grey	Individual sets
	86553329B100LF	M3	Grey	Individual bulks

SIZE	Part Num.	Threading	Jackscrew colour	Packaging box
15	86303638BLF	UNC 4.40	Black	Individual sets
	86553330BLF	M3	Grey	Individual sets
	86553330B100LF	M3	Grey	Individual bulks



SIZE	Part Num.	Threading	Jackscrew colour
37	86303640BLF	UNC 4.40	black
	86303645BLF	M3	grey
	86303645B100LF	M3	grey



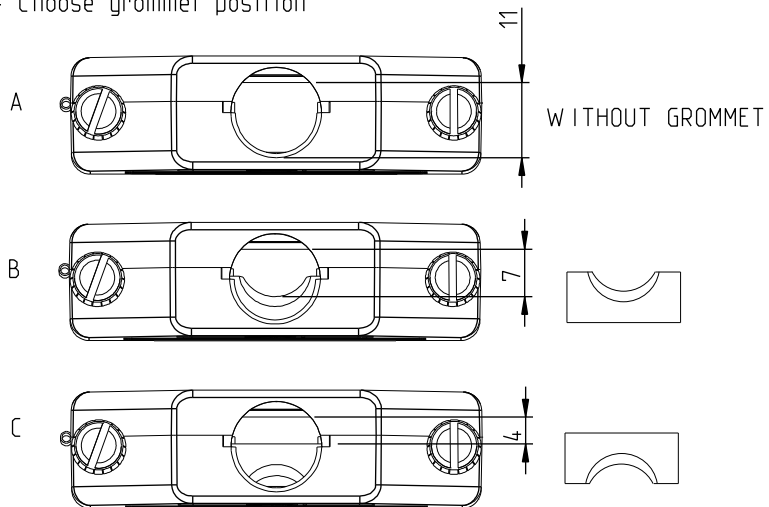
www.fciconnect.com		surface ISO 1302	tolerance std ISO 406 ISO 1101	projection mm	
		TOLERANCES UNLESS OTHERWISE SPECIFIED			
Dr	GOISNARD L	2004.03.22	ANGULAR	LINEAR	size A3
Eng	PESSON M	2004.03.22	0° ±'	0.x ±/	Scale 1:1
Chr	LEGARE .P	2004.03.22	0.xxx ±/	ECN F10-0083	
Appr	LEGARE P	2004.03.22	Product family	D-SUB HOODS	Spec ref -
		Title		10061215C	Rev. E
D-SUB PLASTIC SHELLS		STRAIGHT SNAP-TOGETHER		see tables	sheet 2 of 3
catalog no		CUSTOMER			

Copyright FCI.

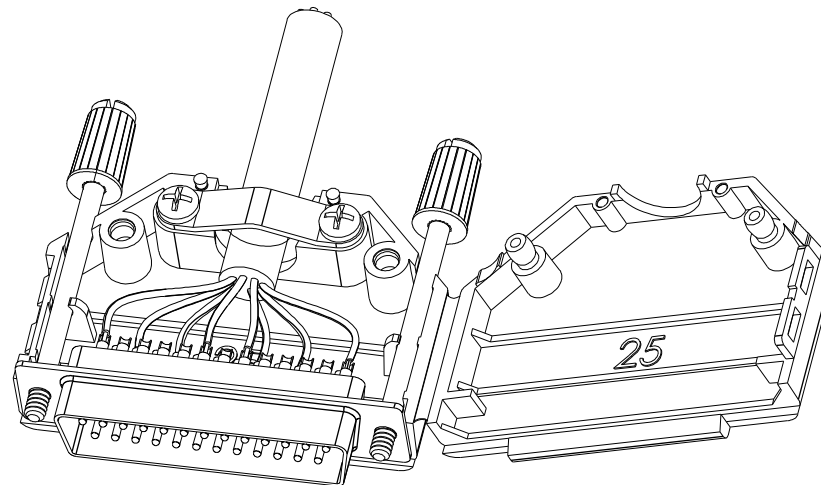
REV E - 2006-03-28

# CABLING INSTRUCTIONS

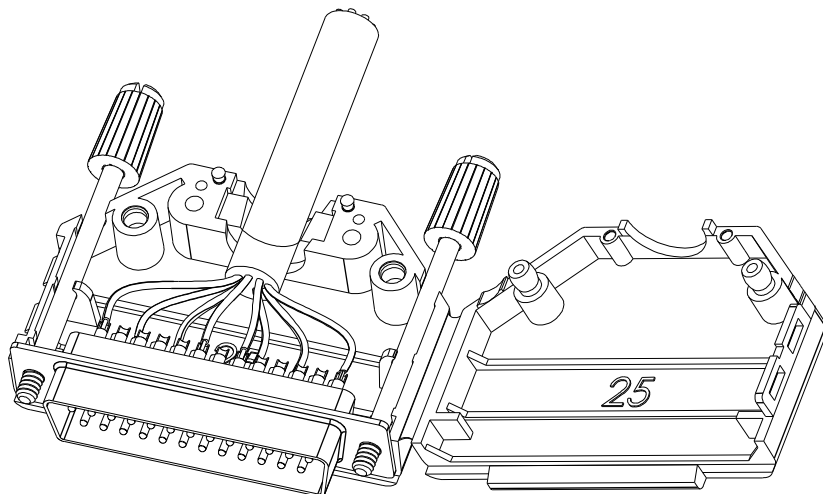
1- Choose grommet position



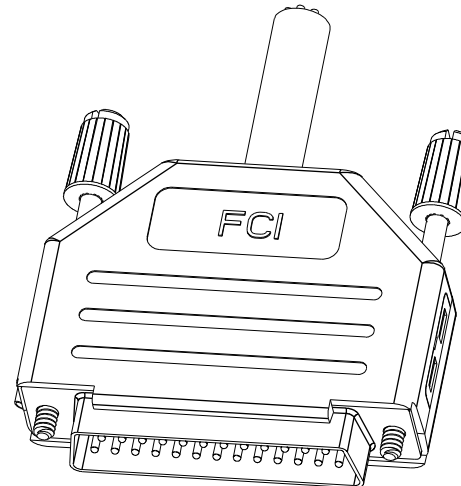
3- Mount cableclamp and screws



2- Mount connector and cable inside



4- Close the backshell and click together



Copyright FCI.

www.fciconnect.com			surface ISO 1302	tolerance std ISO 406 ISO 1101	projection 	mm 
			TOLERANCES UNLESS OTHERWISE SPECIFIED			
Dr	GOISNARD L	2004.03.22	ANGULAR	0.x ±/	size	Scale
Eng	PESSON M	2004.03.22	LINEAR	0.xx ±/	A3	1:1
Chr	LEGARE.P	2004.03.22	0° ±/°	0.xxx ±/	ECN	F10-0083
Appr	LEGARE P	2004.03.22	Product family	D-SUB HOODS	Spec ref	-
	Title D-SUB PLASTIC SHELLS STRAIGHT SNAP-TOGETHER			dwg no	10061215C	Rev. E
catalog no			see tables	CUSTOMER	sheet 3 of 3	