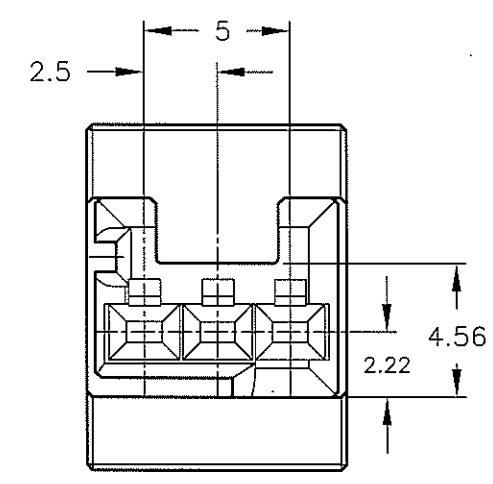
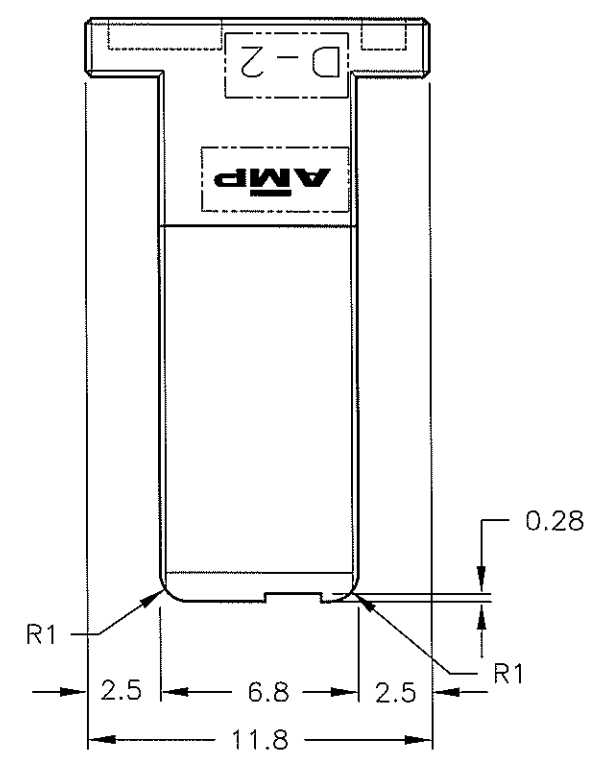
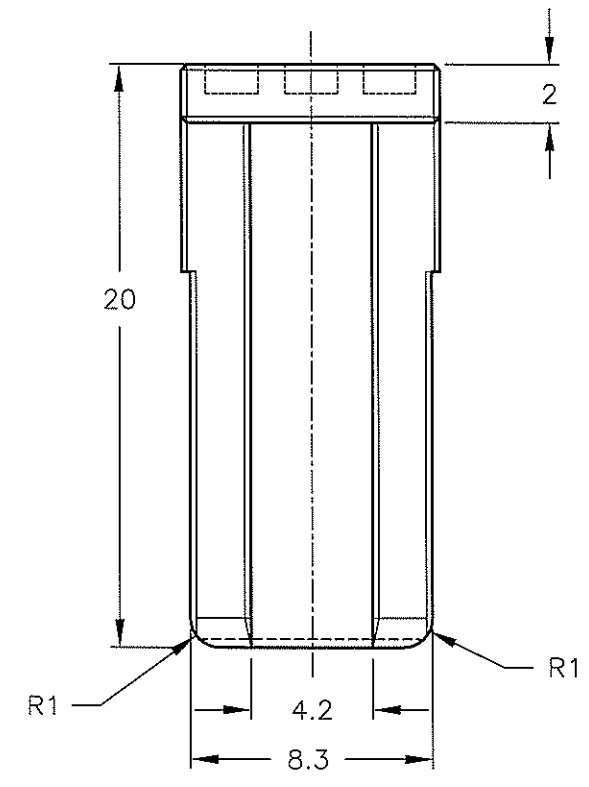
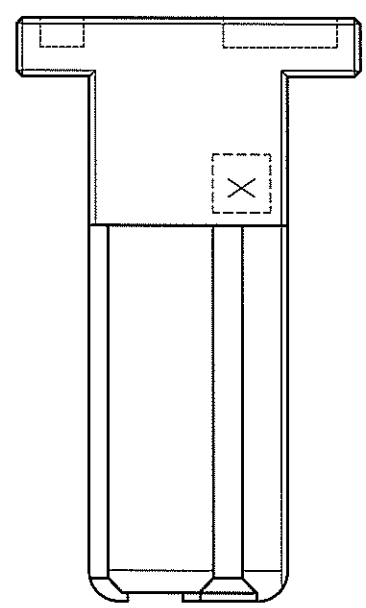
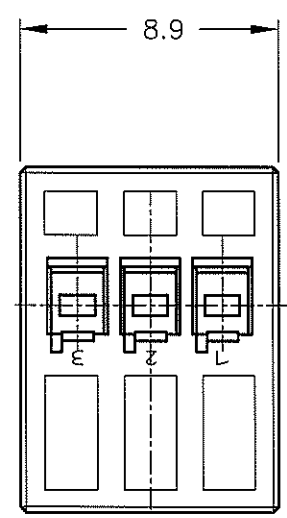


THIS DRAWING IS UNPUBLISHED. RELEASED FOR PUBLICATION .2000.12.01
 (C) COPYRIGHT 2000 BY AMP INCORPORATED. ALL RIGHTS RESERVED.

LOC		DIST		REVISIONS				
P	LTR	DESCRIPTION	ECN	DATE	DWN	APVD		
	0	RELEASED	FJ00-1876-00	1.DEC'00	T.S	S.M		
	01	REVISED	ECR-06-023517	5/OCT '06	T.S	D.M		

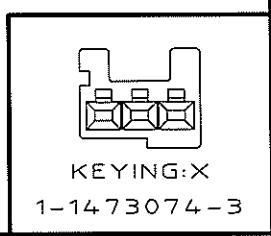
D
C
B
A



A1 REVISED

注記
 ⚠ 材料：ハウジング：ガラス入り熱可塑性ポリエステル樹脂（94V-0），色：黒

NOTES
 ⚠ MATERIAL: HOUSING: GLASS FILED THERMO PLASTIC, POLYESTER(94V-0), COLOR: BLACK



-	3	1-1473074-3
FINISH	POS	PART NUMBER

THIS DRAWING IS A CONTROLLED DOCUMENT FOR AMP INCORPORATED. IT IS SUBJECT TO CHANGE AND THE CONTROLLING ENGINEERING ORGANIZATION SHOULD BE CONTACTED FOR THE LATEST REVISION.		OWN T.SAKAMOTO CHK 1.DEC '00 APVD S.MANABE	26/OCT '00				Tyco Electronics AMP K.K. Kawasaki, Japan	
DIMENSIONS: 単位 特 mm		TOLERANCES UNLESS OTHERWISE SPECIFIED		NAME 氏名		1列 リセハウジング		RESTRICTED TO -
		一般公差 12 : ±0.3 30 > 10 : ±0.35 100 > 30 : ±0.4 ANGLE : ±3'		PRODUCT SPEC 製品規格 108-5619		REC HSG (W/O LOCK) <DYNAMIC D-2100D>		
MATERIAL 材料		FINISH 仕上		APPLICATION SPEC 取付適用規格 114-5258		DRAWING NO 番号 C=1473074		
CUSTOMER DRAWING				SCALE 尺 4-1		SHEET 1 OF 1		REV 01