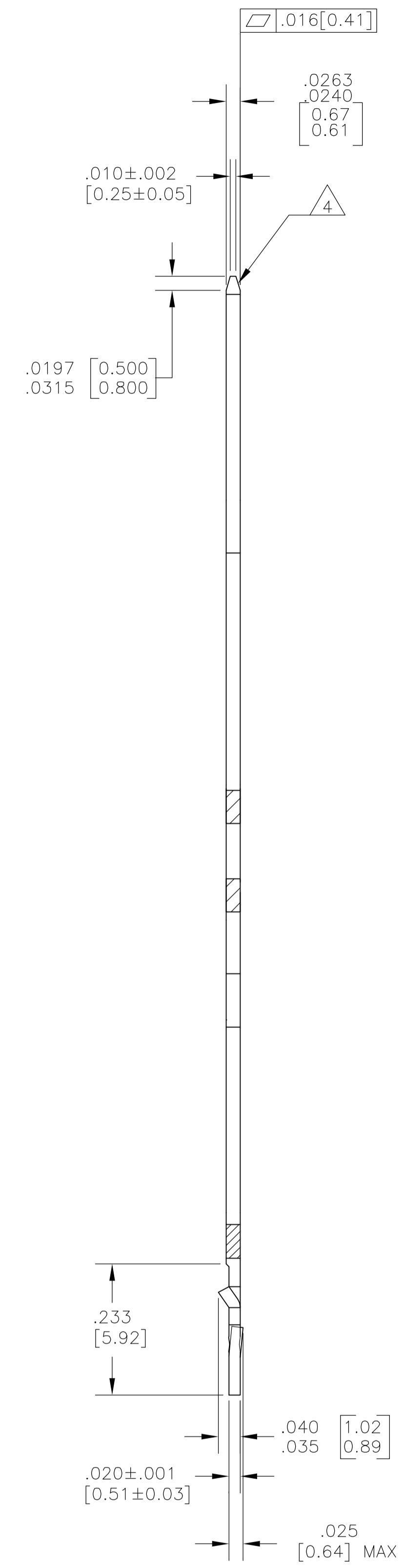
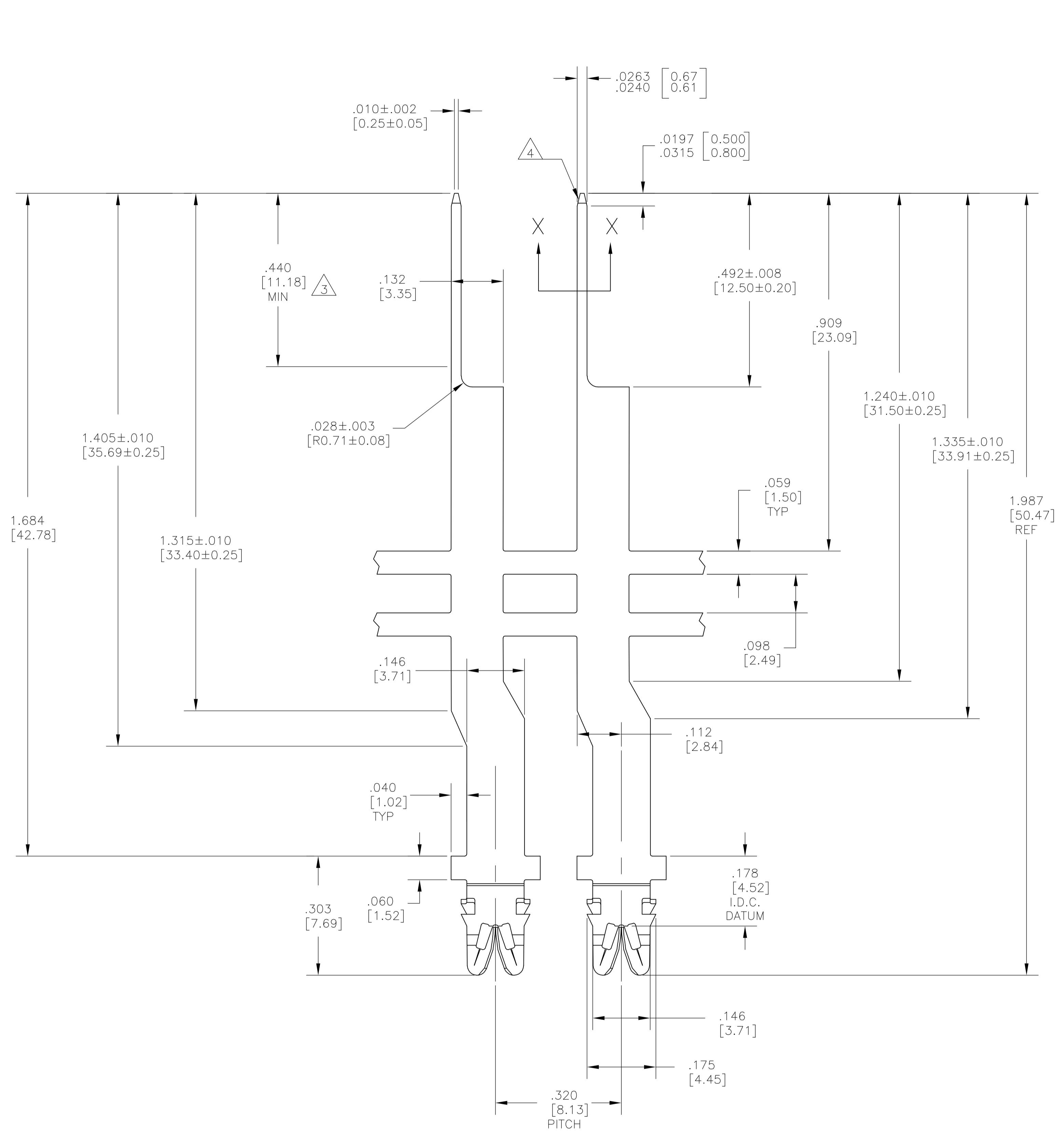


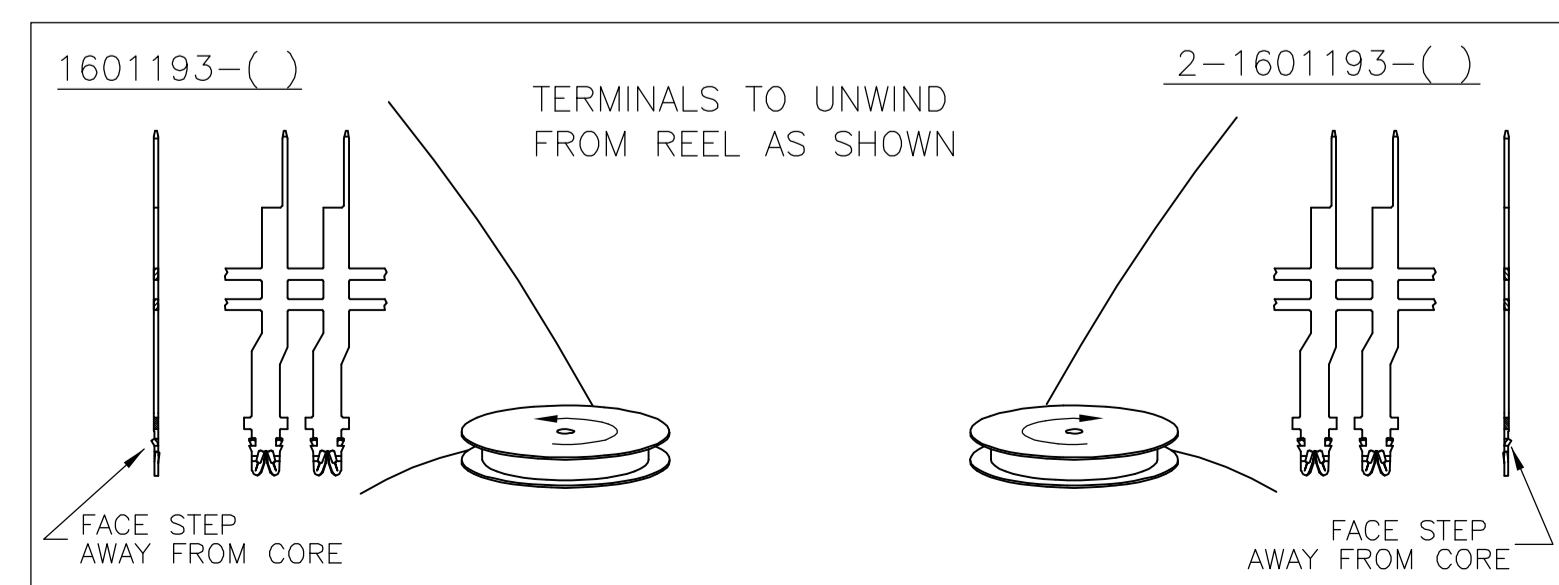
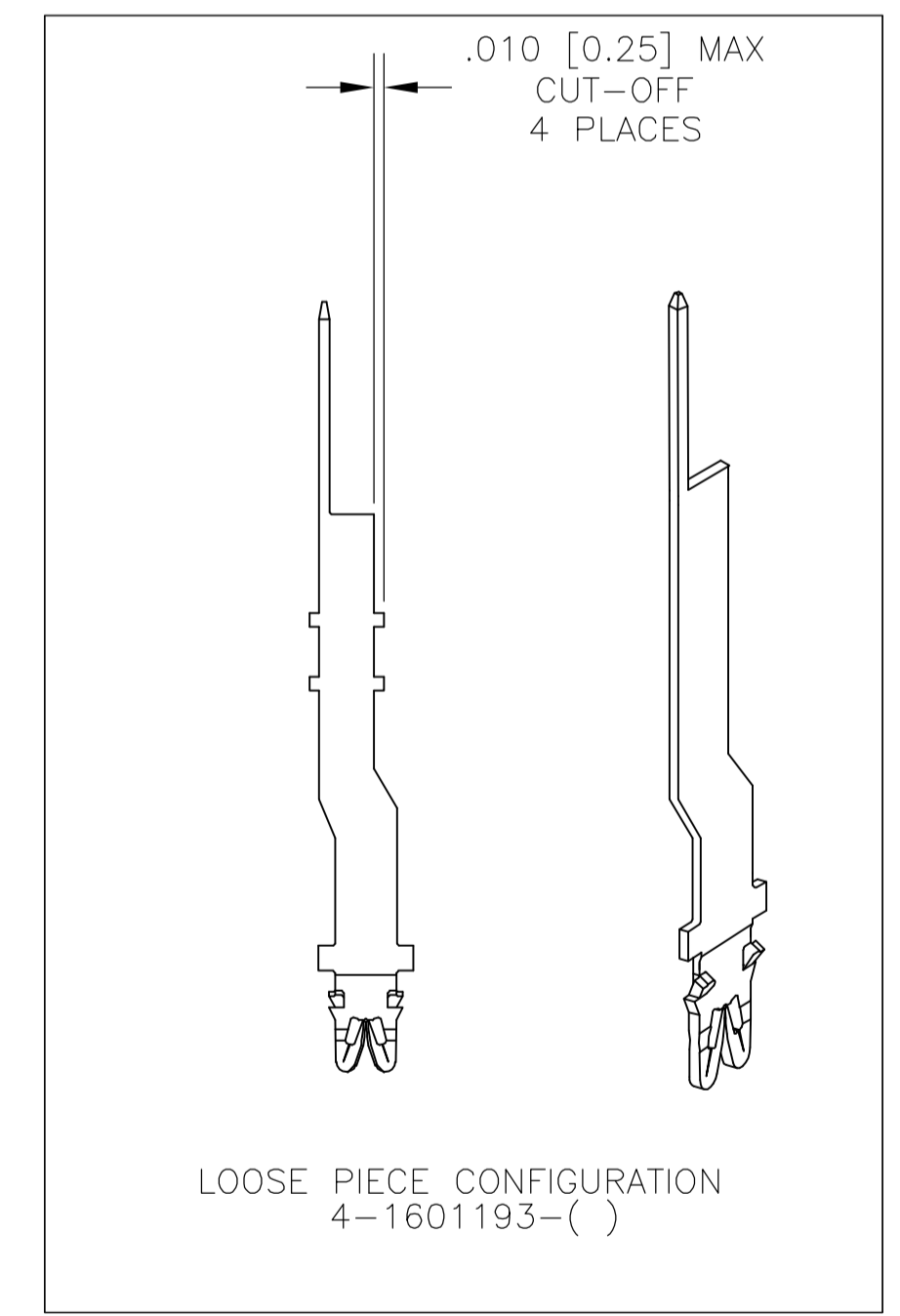
LOC		DIST		REVISIONS			
AF	14	REV	DESCRIPTION	DATE	BY	APP'D	
B3			REVISED PER ECR-06-022483	03OCT06	HMR	GJ	



- SPECIFICATIONS: MAGNET WIRE RANGE; #18-#34 .006-.040 DIA [0.16-1.02] mm COPPER. OTHER SIZES MAY BE ACCOMMODATED, CONSULT TYCO ELECTRONICS FOR APPROVAL.
- POCKET RECOMMENDATION: 1601474.
- THIS LENGTH TO BE COINED ON ALL 4 CORNERS WITH NO BURRS. MAX RADIUS AS SHOWN IN SECTION X-X
- TIP MAY BE RADIUSED AND HAVE CONVEX SIDES WITHIN DIMENSIONS SHOWN.
- TERMINAL APPLICATION TO COMPLY WITH TYCOELECTRONICS SPECIFICATION 114-13166.

R.003 MAX 4 PLC NO BURRS  $\triangle 3$

SECTION X-X  
SCALE 12:1



THIS DRAWING IS A CONTROLLED DOCUMENT.		DWG: MICHAEL S. FEJER 17MAY2004	Tyco Electronics Corporation Harrisburg, PA 17105-3608
DIMENSIONS: INCHES		CHK: GENE JACONO 17MAY2004	
0 PLC ± - 1 PLC ± - 2 PLC ± .01 [0.25] 3 PLC ± .005 [0.13] 4 PLC ± - * ANGLES ± - *		APVD: GENE JACONO 17MAY2004 NAME: GENE JACONO PRODUCT SPEC: 108-2085 APPLICATION SPEC: $\triangle 5$	.025 SQUARE OFFSET PIN STANDARD SIAMEZE TERMINAL
MATERIAL: FULL HARD PRE-MILLED BRASS		FINISH: SEE TABLE	WEIGHT: - SIZE: A1 CAGE CODE: 00779 DRAWING NO: 1601193 RESTRICTED TO: -
CUSTOMER DRAWING		SCALE: 6:1	SHEET: 1 OF 1 REV: B3