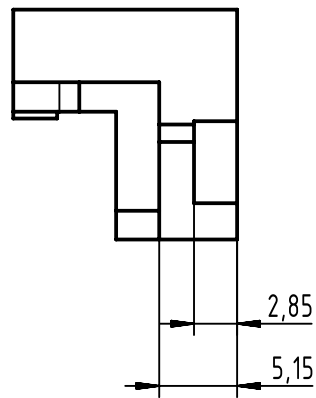
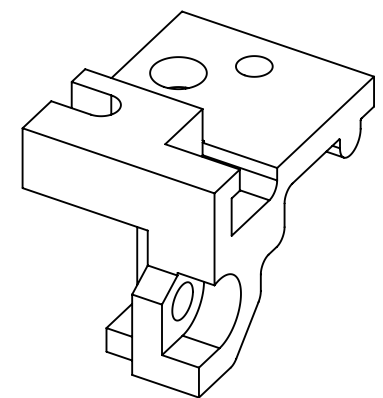
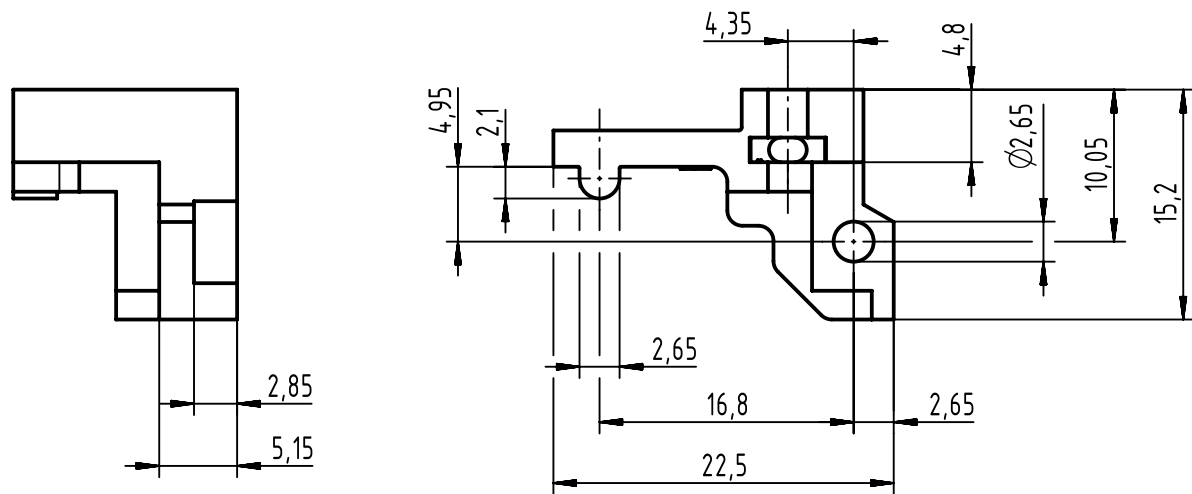
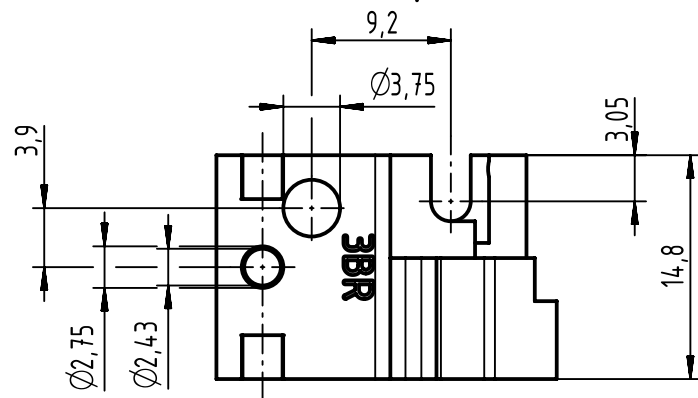



A

B

C

D



	All rights reserved Department EC PD - DE	All Dimensions in mm Original Size DIN A4			Scale 2:1	Free size tol.	Ref.
		HARTING Electronics GmbH D-32339 Espelkamp	Created by KAHLERK	Inspected by ZWAHR	Standardisation HOFFMANN	Date 2017-03-17	State Final Release
Title fixing bracket BR 15mm metallised						Doc-Key / ECM-Nr. 100106601/UGD/009/C 500000116938	
Type TB				Number 09069009910		Rev. C	Page 1/1