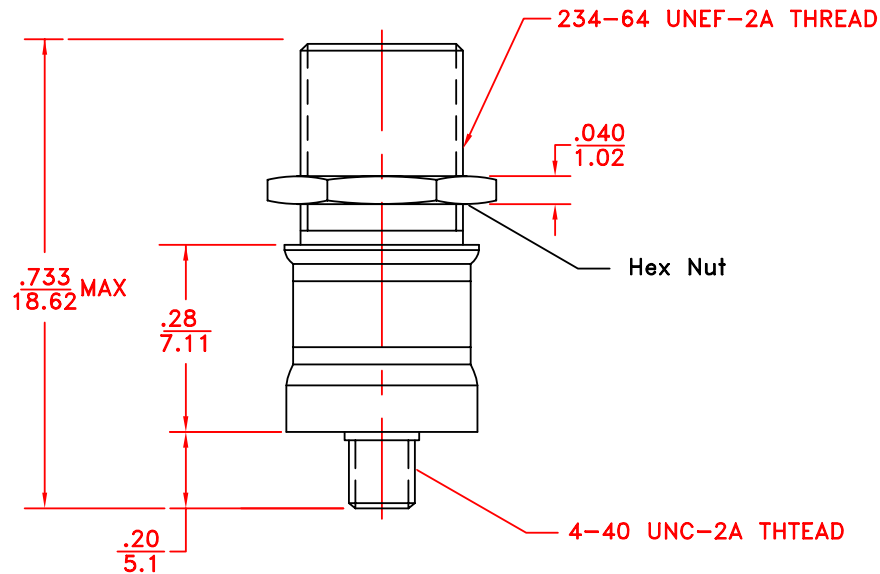
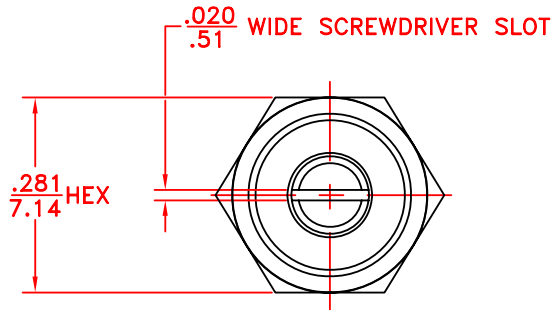


REV	DESCRIPTION	DATE	APP
00	NEW DRAWING	10/10/12	D.D.



NOTES:

1. Capacitance Range:  $\leq 2.0$  to  $\geq 20.0$  pF.
2. Working Voltage 1000 VDC
3. Withstanding Voltage test at 2000 VDC
4.  $Q @ C_{max}$  and 100 MHz  $> 2000$
5. Operating Temperature  $-55^{\circ}$  C to  $+125^{\circ}$  C
6. TC  $0 \pm 50$  ppm
7. Adjustment Torque .5 to 5.0 oz-in
8. Dimensions: ( in/mm )
9. Construction: nonmagnetic

TOLERANCES: (EXCEPT AS NOTED)				SPRAGUE GOODMAN ELECTRONICS INC. 1700 SHAMES DRIVE WESTBURY, NY 11590			
DECIMAL: .XX $\pm$ .010 IN .XXX $\pm$ .005mm		MATERIAL:		SCALE: 4:1		DRAWN BY: R. LEVIN	
FRACTIONAL: 1/64		TITLE: OUTLINE DWG SGNMA3T20003				APPROVED: D. DITLYA	
ANGULAR: 1 $^{\circ}$		DATE: 10/10/12		DRAWING NUMBER SGNMA3T20003		USED FOR: REV. 00	