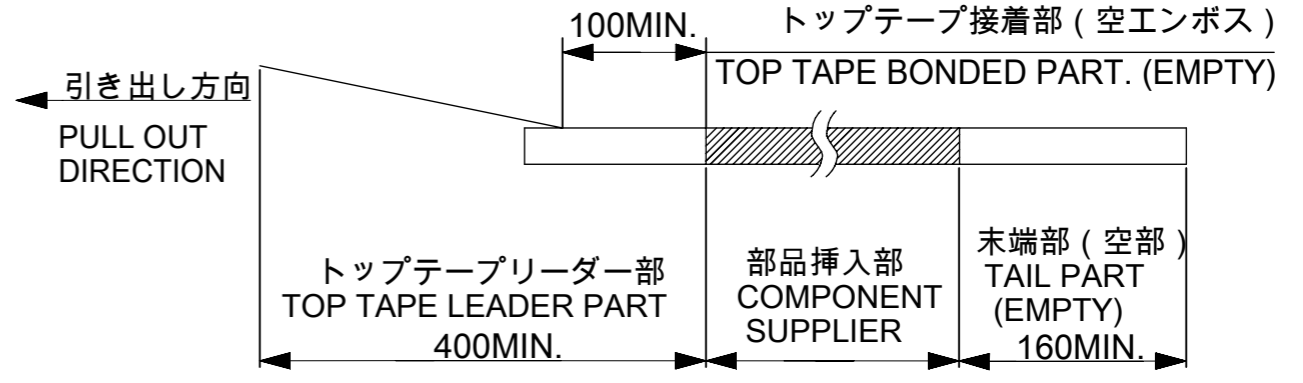
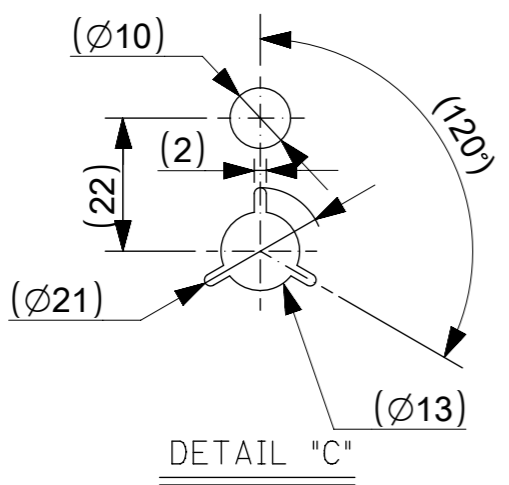


注記 NOTES

1. 製品詳細寸法については図面5047541003を参照下さい。  
REFER TO THE 5047541003 ABOUT DIMENSIONS IN DETAIL.
2. 梱包数量：5000個/リール  
NUMBER OF CONNECTORS：5000 PCS/REEL
3. リードテープ長さ  
LEAD TAPE LENGTH

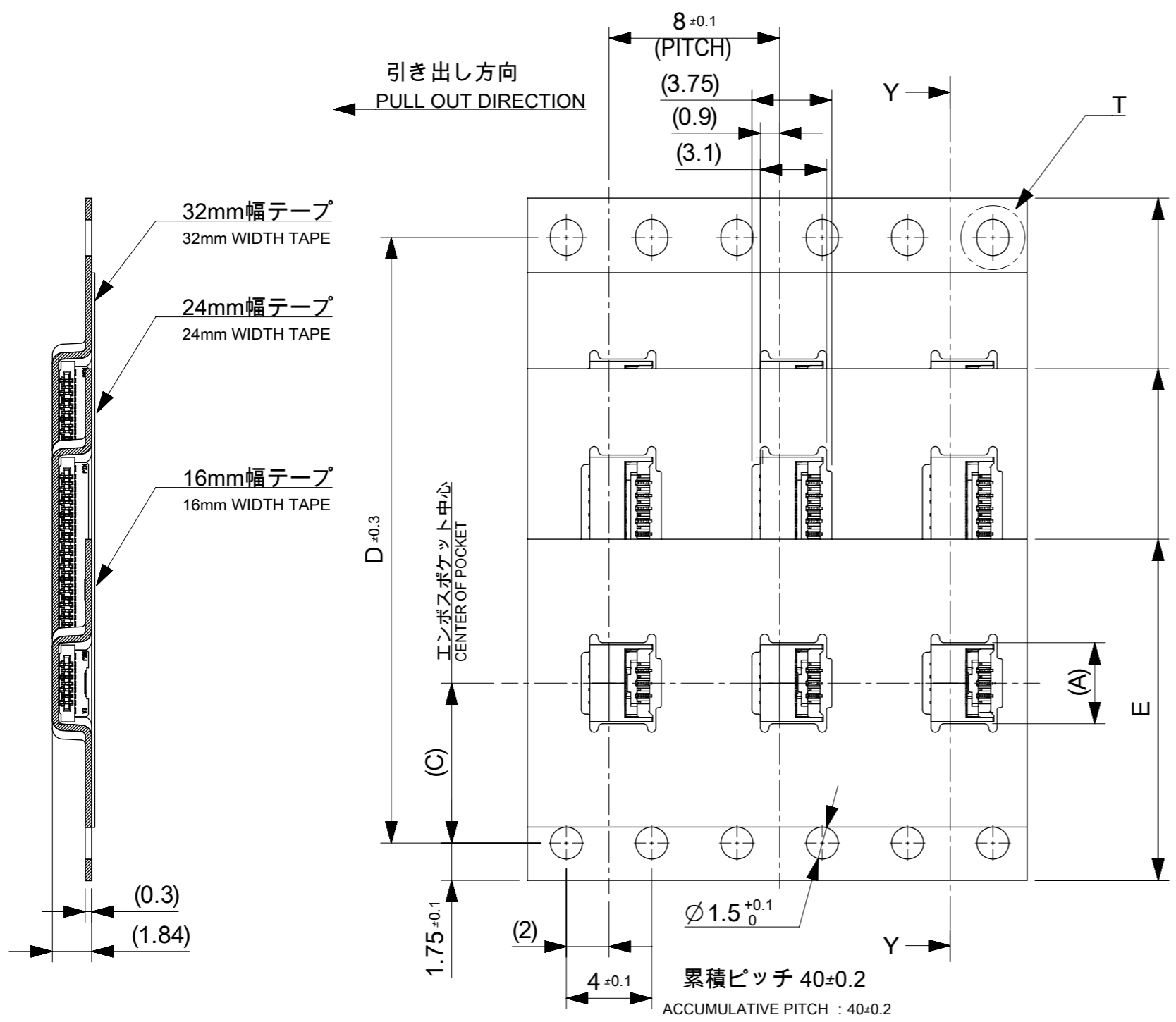


4. 材料 MATERIAL  
キャリアテープ(CARRIER TAPE)：ポリスチレン(POLYSTYRENE)  
トップテープ(TOP TAPE)：PET, PE, PEF  
リール(REEL)：ポリスチレン(PS)リサイクル材含む  
POLYSTYRENE(PS)RECYCLE MATERIAL CONTAINED
5. ELV及びRoHS適合品  
ELV AND RoHS COMPLIANCT



THIS DRAWING CONTAINS INFORMATION THAT IS PROPRIETARY TO MOLEX ELECTRONIC TECHNOLOGIES, LLC AND SHOULD NOT BE USED WITHOUT WRITTEN PERMISSION

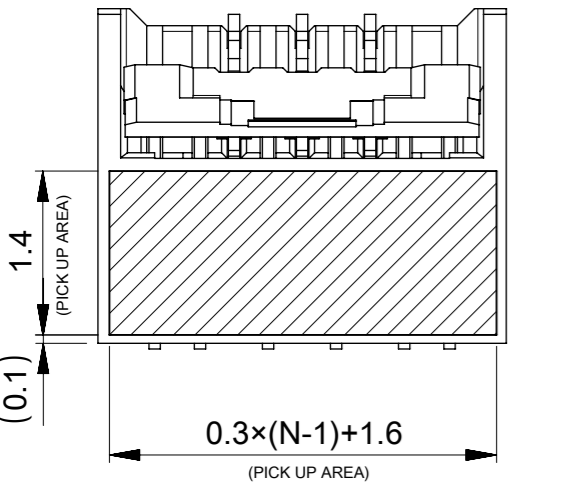
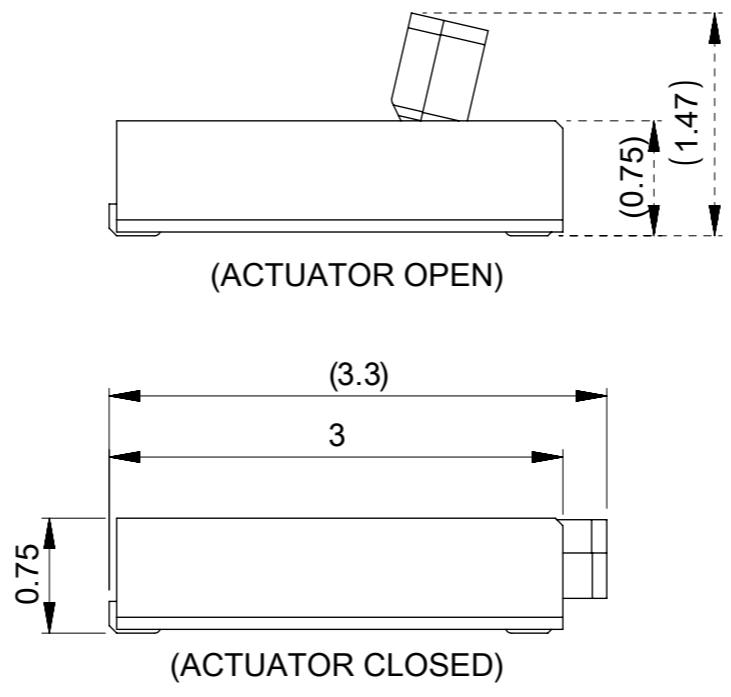
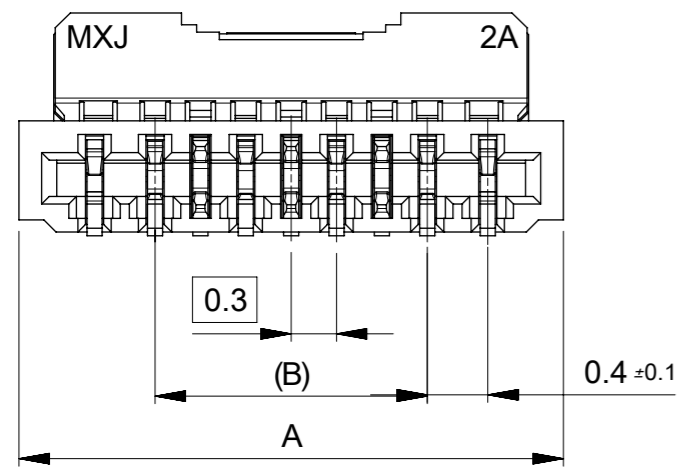
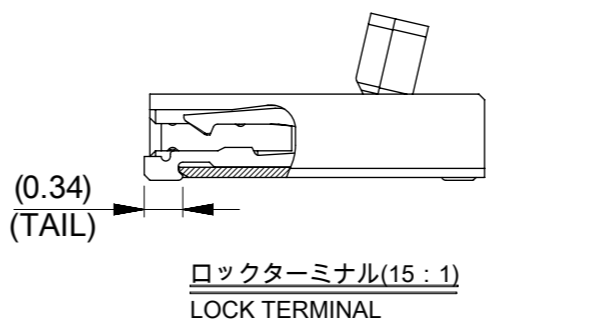
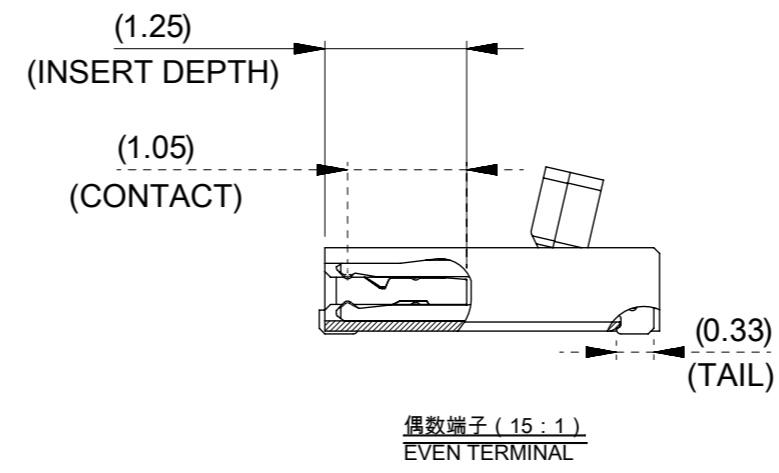
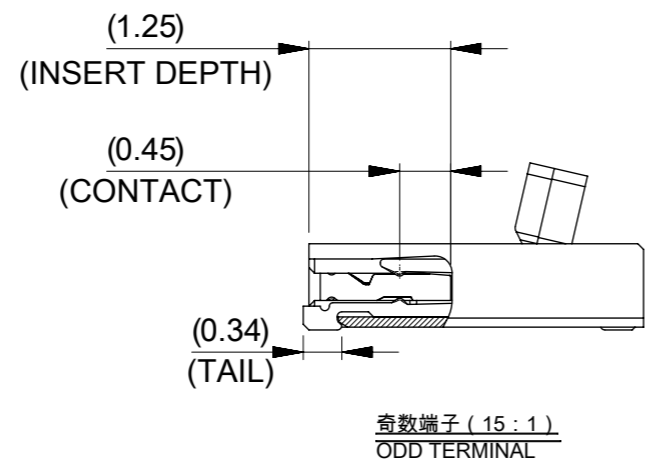
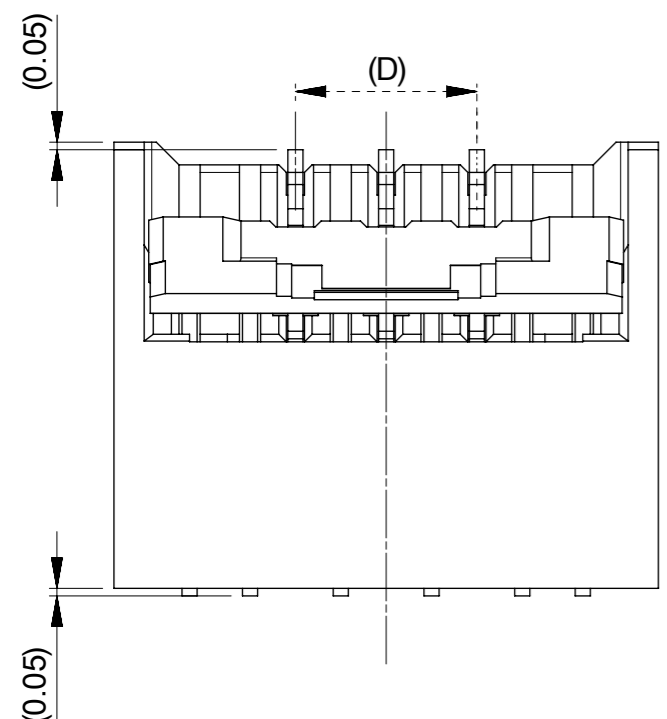
EC NO: 104191 DRWN: AYOSHII01 CHK'D: TKUSUHARA01 APPR: TKUSUHARA01	2016/04/05 2016/04/18 2016/04/18	GENERAL TOLERANCES (UNLESS SPECIFIED) ANGULAR TOL $\pm 1.0^\circ$	DIMENSION UNITS: mm SCALE: <del>1:1</del>				
	4 PLACES $\pm 0.03$ 3 PLACES $\pm 0.03$ 2 PLACES $\pm 0.05$ 1 PLACE $\pm 0.1$ 0 PLACES $\pm 0.2$	DRWN BY: AYOSHII01 DATE: 2016/04/05	PRODUCT CUSTOMER DRAWING				
	DRAFT WHERE APPLICABLE MUST REMAIN WITHIN DIMENSIONS	DRWG SIZE: A3 THIRD ANGLE PROJECTION	CHK'D BY: YKOBAYASHI02 DATE: 2016/04/18	APPR BY: TKUSUHARA01 DATE: 2016/04/18	SERIES: 504754 MATERIAL NUMBER: SEE SHEET 1 CUSTOMER:	DOCUMENT NUMBER: 5047540003 DOC TYPE: PSD DOC PART: 000 SHEET NUMBER: 1 OF 2	
	A	REV:	DRAFT WHERE APPLICABLE MUST REMAIN WITHIN DIMENSIONS	A3		504754 SEE SHEET 1	5047540003 PSD 000 1 OF 2



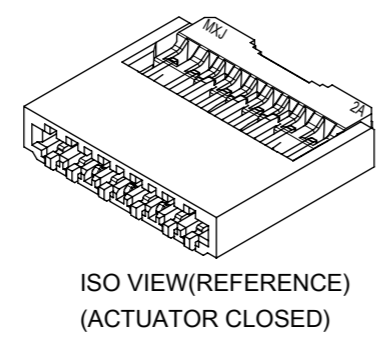
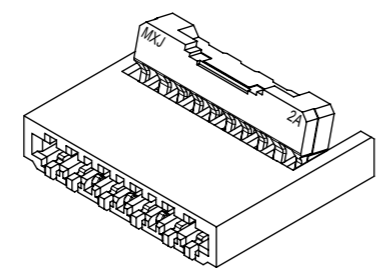
32±0.3	28.4	14.2	33.4	20.0	504754-6140	61	
				17.0	504754-5140	51	
				14.0	504754-4140	41	
				13.4	504754-3940	39	
				12.8	504754-3740	37	
				12.2	504754-3540	35	
				11.6	504754-3340	33	
				11.0	504754-3140	31	
24±0.3	--	11.5	25.4	9.2	504754-2540	25	
				8.0	504754-2140	21	
				6.2	504754-1540	15	
				4.9	504754-1140	11	
16±0.3	--	7.5	17.4	4.3	504754-0940	9	
				3.7	504754-0740	7	
Eキャリアテープ幅 EMBOSSED TAPE WIDTH		D	C	B	A	オーダー番号 ORDER NO.	極数 CIRCUITS
ACTUATOR COLOR						NATURAL	

THIS DRAWING CONTAINS INFORMATION THAT IS PROPRIETARY TO MOLEX ELECTRONIC TECHNOLOGIES, LLC AND SHOULD NOT BE USED WITHOUT WRITTEN PERMISSION

EC NO: 104191 DRWN: AYOSHII01 CHK'D: TKUSUHARA01 APPR: TKUSUHARA01	2016/04/05	GENERAL TOLERANCES (UNLESS SPECIFIED)		DIMENSION UNITS	SCALE		
	2016/04/18	ANGULAR TOL ± 1.0 °		mm	±0.1		
	2016/04/18	4 PLACES ± 0.03	DRWN BY	AYOSHII01	DATE		2016/04/05
		3 PLACES ± 0.03	CHK'D BY	YKOBAYASHI02	DATE		
		2 PLACES ± 0.05	APPR BY	TKUSUHARA01	DATE		2016/04/18
	1 PLACE ± 0.1	DRAFT WHERE APPLICABLE MUST REMAIN WITHIN DIMENSIONS		DRAWING SIZE	THIRD ANGLE PROJECTION	PRODUCT CUSTOMER DRAWING SERIES: 504754 MATERIAL NUMBER: SEE SHEET 1 CUSTOMER:	
	0 PLACES ± 0.2	A3		DOCUMENT NUMBER: 5047540003	DOC TYPE: PSD		DOC PART: 000
				SHEET NUMBER: 2 OF 2			



推奨ピックアップエリア(15:1)  
RECOMMENDED PICK UP AREA

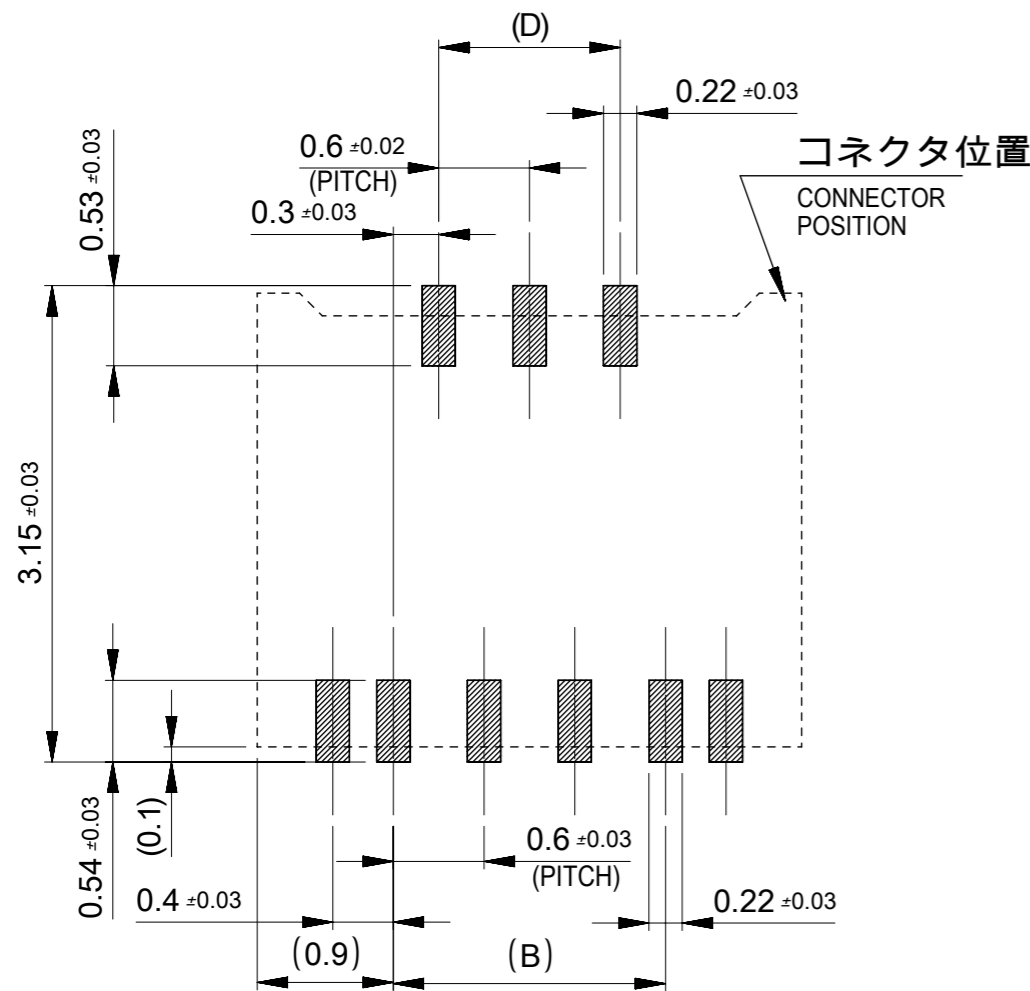


注記 NOTES:  
1.材質 MATERIAL  
ハウジング: 液晶ポリマー(LCP)、黒色、ガラス充填、UL94 V-0  
HOUSING: LIQUID CRYSTAR POLYMER, BLACK, GLASS FILLED, UL94 V-0  
アクチュエータ:  
LCP TYPE : 液晶ポリマー(LCP)、ナチュラル色、ガラス充填、UL94 V-0  
ACTUATOR:  
LCP TYPE : LIQUID CRYSTAL POLYMER, NATURAL GLASS FILLED, UL94 V-0  
奇数ターミナル: 銅合金 (t=0.10)  
ODD TERMINAL: COPPER ALLOY(t=0.10)  
偶数ターミナル: 銅合金 (t=0.10)  
EVEN TERMINAL: COPPER ALLOY(t=0.10)  
ロックターミナル: 銅合金 (t=0.10)  
LOCK TERMINAL : COPPER ALLOY(t=0.10)  
2.めっき仕様 PLATING  
奇数 / 偶数ターミナル ODD/EVEN TERMINAL  
接点部: 部分金めっき(0.1μm以上)  
CONTACT AREA: SEPARATED GOLD PLATING (0.1 MICROMETER MINIMUM)  
半田付け部: 部分金めっき  
SOLDER TAIL AREA: SEPARATED GOLD PLATING  
下地: ニッケルめっき(1.0μm以上)  
UNDERPLATE: NICKEL PLATING(1.0 MICROMETER MINIMUM)  
ロックターミナル LOCK TERMINAL  
半田付け部: 部分金めっき  
SOLDER TAIL AREA: SEPARATED GOLD PLATING  
下地: ニッケルめっき(1.0μm以上)  
UNDERPLATE : NICKEL PLATING(1.0 MICROMETER MINIMUM)  
3.平坦度は、0.1mm以下とする。  
TAILS' COPLANARITY TO BE 0.1 MAXIMUM.  
4.ELV及びRoHS適合品  
ELV AND RoHS COMPLIANT

18.5	17.4	19.3	18.0	19.8	504754-6140	61
15.5	14.4	16.3	15.0	16.8	504754-5140	51
12.5	11.4	13.3	12.0	13.8	504754-4140	41
11.9	10.8	12.7	11.4	13.2	504754-3940	39
11.3	10.2	12.1	10.8	12.6	504754-3740	37
10.7	9.6	11.5	10.2	12.0	504754-3540	35
10.1	9.0	10.9	9.6	11.4	504754-3340	33
9.5	8.4	10.3	9.0	10.8	504754-3140	31
7.7	6.6	8.5	7.2	9.0	504754-2540	25
6.5	5.4	7.3	6.0	7.8	504754-2140	21
4.7	3.6	5.5	4.2	6.0	504754-1540	15
3.5	2.4	4.3	3.0	4.8	504754-1140	11
2.9	1.8	3.7	2.4	4.2	504754-0940	9
2.3	1.2	3.1	1.8	3.6	504754-0740	7
E	D	C	B	A	EMBOSSED PACKAGE	CIRCUITS
オーダー番号 : ORDER NO.						
CONNECTOR SERIES 504754-**49						

THIS DRAWING CONTAINS INFORMATION THAT IS PROPRIETARY TO MOLEX ELECTRONIC TECHNOLOGIES, LLC AND SHOULD NOT BE USED WITHOUT WRITTEN PERMISSION

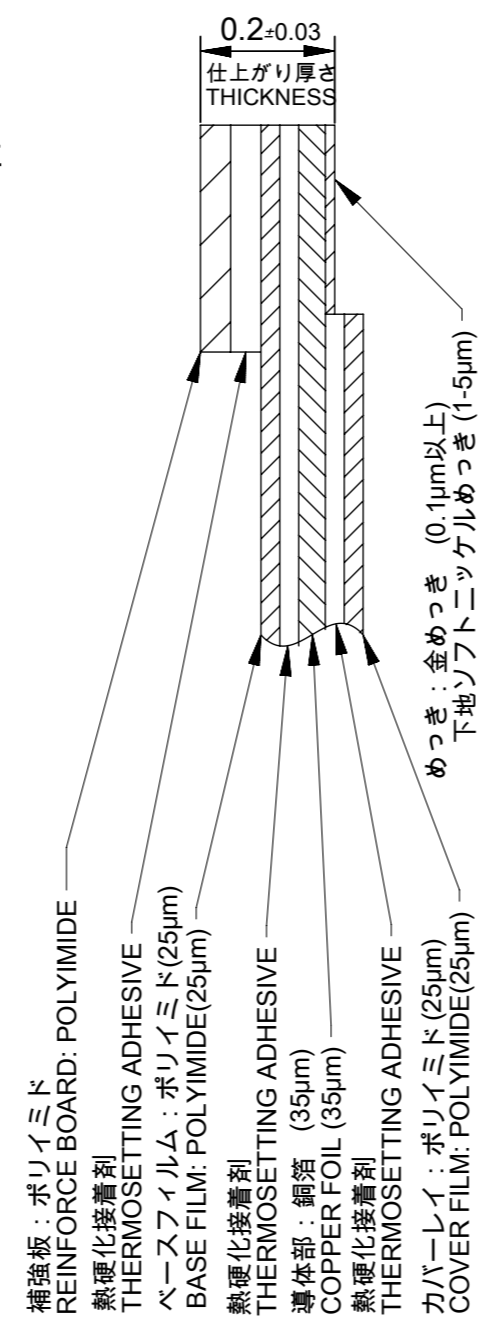
REVISED	2017/02/17	GENERAL TOLERANCES (UNLESS SPECIFIED)	DIMENSION UNITS	SCALE	<b>molex</b> 0.3 FPC LA75 SERIES ASSY			
	2017/02/20	ANGULAR TOL ± 1.0 °	MM	20:1				
	2017/02/20	4 PLACES ± 0.03	DRWN BY	DATE			AYOSHII01	2016/04/05
	EC NO: 113640	3 PLACES ± 0.03	CHK'D BY	DATE			YKOBAYASHI02	2016/04/15
	DRWN: YCHEN128	2 PLACES ± 0.05	APPR BY	DATE			TKUSUHARA01	2016/04/18
CHK'D: YKOBAYASHI02	1 PLACE ± 0.1	DRAWING SIZE	THIRD ANGLE PROJECTION	A3	PRODUCT CUSTOMER DRAWING			
APPR: TKUSUHARA01	0 PLACES ± 0.2	DRAFT WHERE APPLICABLE MUST REMAIN WITHIN DIMENSIONS			SERIES	MATERIAL NUMBER	CUSTOMER	
					504754	SEE SHEET 1		
					DOCUMENT NUMBER	DOC TYPE	DOC PART	SHEET NUMBER
					5047541003	PSD	000	1 OF 2



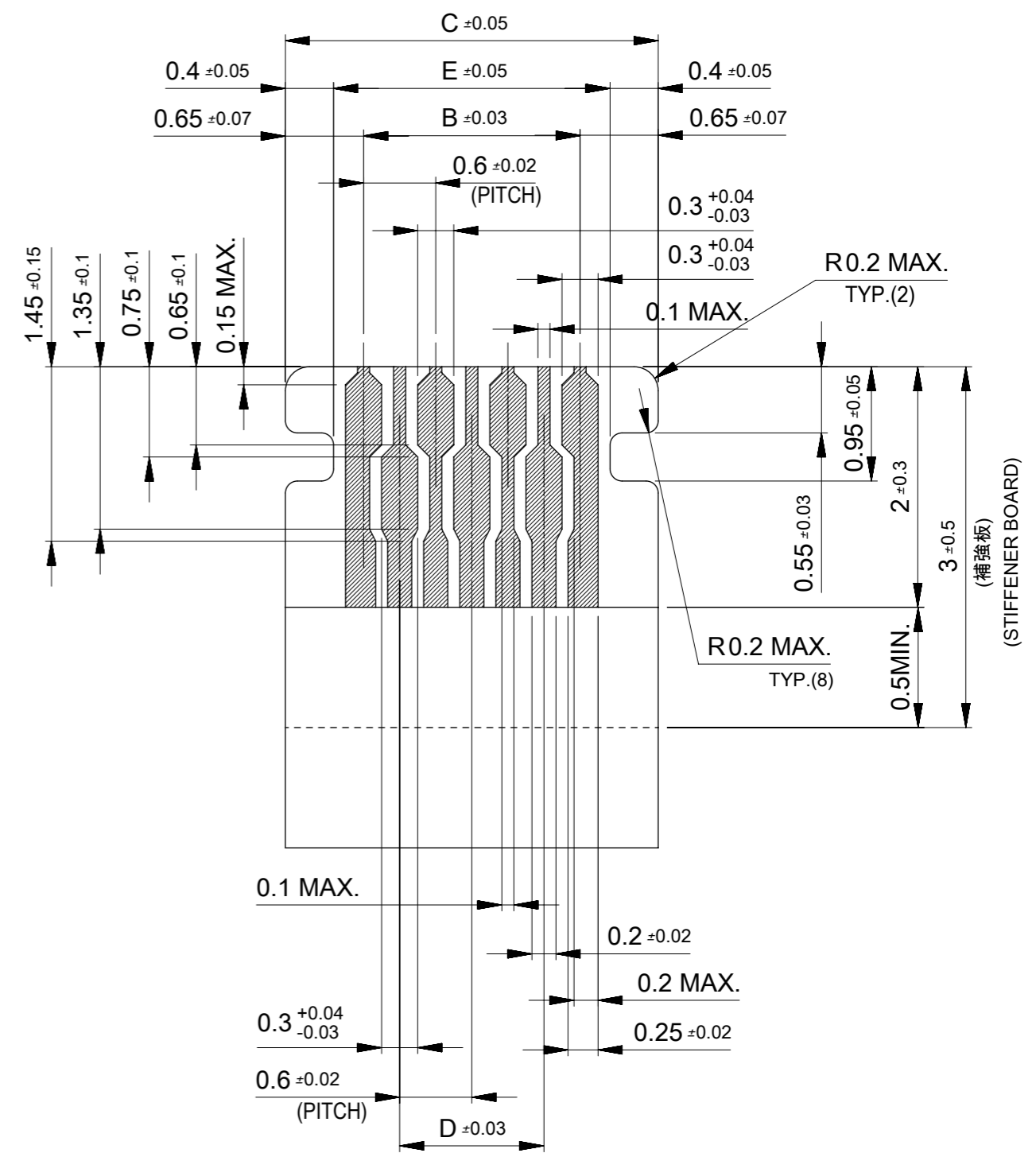
推奨基板レイアウト  
RECOMMENDED P.C. BOARD  
PATTERN LAYOUT

推奨メタルマスク厚さ : 0.1mm  
RECOMMENDED METAL MASK THICKNESS : 0.1mm

推奨開口率 : 70%  
APERTURE RATE : 70%



FPC構成推奨仕様  
STRUCTURE OF FPC



適合金メッキFPC推奨寸法  
仕上がり厚さ : 0.2 ±0.03  
APPLICABLE FPC WITH GOLD PLATING  
RECOMMENDED DIMENSION  
THICKNESS : 0.2 ±0.03

注記  
NOTE

1. 必ず基板に実装してからアクチュエータを操作して下さい。  
PLEASE OPERATE THE ACTUATOR AFTER MOUNTING ON THE SUBSTRATE.

2. FPCについて  
ABOUT FPC  
補強フィルム材質はポリイミドを推奨します。ベースフィルムは25µmを推奨します。  
接着剤は熱硬化接着剤を推奨します。  
尚、接着剤の接点部への付着は導通不良の原因になりますので、染み出しが無い様、お願い致します。  
RECOMMENDED STIFFENER MATERIAL: POLYIMIDE  
RECOMMENDED BASE FILM THICKNESS: 25 MICROMETER  
RECOMMENDED ADHESIVE: THERMOSETTING ADHESIVE  
NOTE: PLEASE PUT APPROPRIATE AMOUNT OF ADHESIVE ON ADHEREND BECAUSE THERE IS A POSSIBILITY THAT THE EXTRA ADHESIVE CAUSES THE DEFECT IN ELECTRICAL CONTINUITY.

打抜き方向は導体側から補強板側を推奨致します。  
RECOMMENDED PUNCHER DIRECTION:  
FROM CONDUCTOR SIDE TO STIFFENER FILM SIDE.

THIS DRAWING CONTAINS INFORMATION THAT IS PROPRIETARY TO MOLEX ELECTRONIC TECHNOLOGIES, LLC AND SHOULD NOT BE USED WITHOUT WRITTEN PERMISSION

REVISED	2017/02/17	2017/02/20	2017/02/20	GENERAL TOLERANCES (UNLESS SPECIFIED)	DIMENSION UNITS	SCALE				
	EC NO: 113640	DRWN: YCHEN128	CHK'D: YKOBAYASHI02		MM	20:1				
	2017/02/17	2017/02/20	2017/02/20		DRWN BY	DATE				
	4 PLACES	± 0.03	AYOSHII01		2016/04/05					
C	REV	APP: TKUSUHARA01	DRAFT WHERE APPLICABLE MUST REMAIN WITHIN DIMENSIONS	ANGULAR TOL ± 1.0 °	CHK'D BY	DATE	0.3 FPC LA75 SERIES ASSY			
				3 PLACES ± 0.03	YKOBAYASHI02	2016/04/15				
				2 PLACES ± 0.05	APP: BY	DATE		PRODUCT CUSTOMER DRAWING		
				1 PLACE ± 0.1	TKUSUHARA01	2016/04/18		SERIES	MATERIAL NUMBER	CUSTOMER
0 PLACES ± 0.2			DRAWING SIZE	THIRD ANGLE PROJECTION	504754	SEE SHEET 1				
				A3			DOCUMENT NUMBER	DOC TYPE	DOC PART	SHEET NUMBER
							5047541003	PSD	000	2 OF 2