

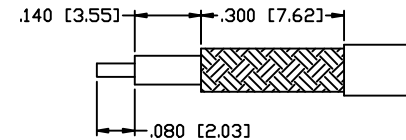
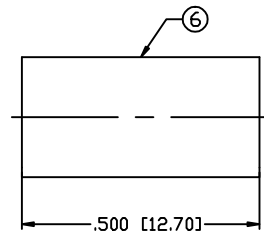
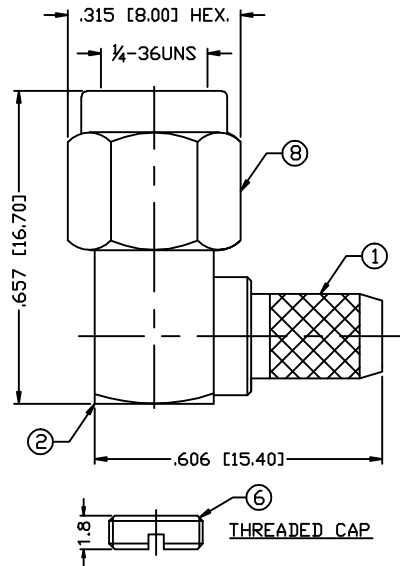
THIS DRAWING CONTAINS INFORMATION PROPRIETARY TO RF INDUSTRIES,
 ANY UNAUTHORIZED USE OF THIS DRAWING IS EXPRESSLY PROHIBITED
 WITHOUT WRITTEN PERMISSION FROM RF INDUSTRIES.
 ANY VIOLATION IS PUNISHABLE UNDER U.S. COPYRIGHT LAWS.

ALL DIMENSIONS ARE REFERENCE ONLY

PART NO.

RP-3010-1C

REV	DESCRIPTION	DWN	DATE	APPROVED
-	ENGINEERING RELEASE	CZS	2/14/01	JDMc
A	ADD SPECS	CZS	10/16/01	JDMc
B	CHANGED STRIP DIMENSIONS.	JDM	10/10/02	JDMc
C	ADJUST STRIP DIMENSIONS / UPDATE DRWING	CZS	4/24/03	JDMc
D	CHANGED TO THREAD CAP, FROM PRESS FIT CAP	JDM	10/15/15	JDMc



RECOMMENDED CRIMP DIE: .213

RECOMMENDED STRIPING DIMENSIONS

CRIMP TOOL RFA-4005-20 / DIE RFA-4005-01

SPECIFICATIONS:

IMPEDANCE: 50 Ohms
 FREQUENCY RANGE: 0-12.4 GHz
 INSERTION LOSS(dB): $0.04 \times \sqrt{f(\text{GHz})}$
 VSWR: $1.15 + .03 \times \sqrt{f(\text{GHz})}$
 WORKING VOLTAGE: 500 V rms Max. @ Sea Level
 INSULATION RESISTANCE: 5k M Ohms min.
 TEMPERATURE RANGE: -65°C TO 85°C
 FOR RG-58, 58A, 58C, 141, 141A, BELDEN 8240, 9907
 8259, 8262, 9201, 9203, 9310, 9311 & COMM/SCOPE 0268

NOTE: ATTACH CABLE TO CONNECTOR BY
 SOLDERING THE CABLE CENTER CONDUCTOR
 TO THE PIN SLOT INSIDE THE BODY CAVITY.

1	BODY	1	BRASS	GOLD, 3μ"	008974	
2	BODY	1	BRASS	GOLD, 3μ"		
3	PIN	1	Be.Cu.	GOLD, 50μ"		
4	INSULATOR	1	PTFE	WHITE		
5	END CAP "PRESS"	1	BRASS	GOLD, 3μ"		
6	FERRULE	1	BRASS	GOLD, 3μ"		
7	GASKET	1	SILICON	RED		
8	SHELL	1	BRASS	GOLD, 3μ"		
9	RETAINING RING	1	SST.	---		
10					DRAWN	10/15/15
11					JDMc	
12					CHECKED	
13					ORJ DRAWN	
14					C. ZUNIGA	2/14/01
#	DESCRIPTION	QTY	MATERIAL	FINISH	APPROVALS	DATE

UNLESS OTHERWISE SPECIFIED:
 1. REMOVE ALL BURRS
 2. BREAK ALL CORNERS & EDGES .005 R. MAX.
 3. CHAMFER 1ST & LAST THREADS 45°
 4. SURFACE ROUGHNESS 63 FINISH MIL-STD-10
 5. DIAMETERS ON COMMON CENTERS TO BE CONCENTRIC WITHIN .002 T.I.R.
 6. ALL DIMENSIONS ARE AFTER PLATING.

DIMENSIONS ARE IN INCHES AND [MILLIMETERS]
 UNLESS OTHERWISE NOTED TOLERANCES ARE:
 DECIMALS DIAMETER
 .xxx±.003 [.08] .xxx±.001 [.03]
 .xx±.005 [.13] .xx±.003 [.08]

RFconnectors 7610 MIRAMAR RD
 SAN DIEGO, CA 92126
 (858) 549-6340
 DIVISION OF RF INDUSTRIES, LTD. (858) 549-6345 FAX

SMA PLUG CRIMP

REVERSE POLARITY, RIGHT ANGLE, SOLDER

SIZE	CABLE GROUP	DWG NO.	REV
A	C/C2	RP-3010-1C	D
SCALE: NTS		CAD FILE OUTLINE	SHEET 1 OF 1