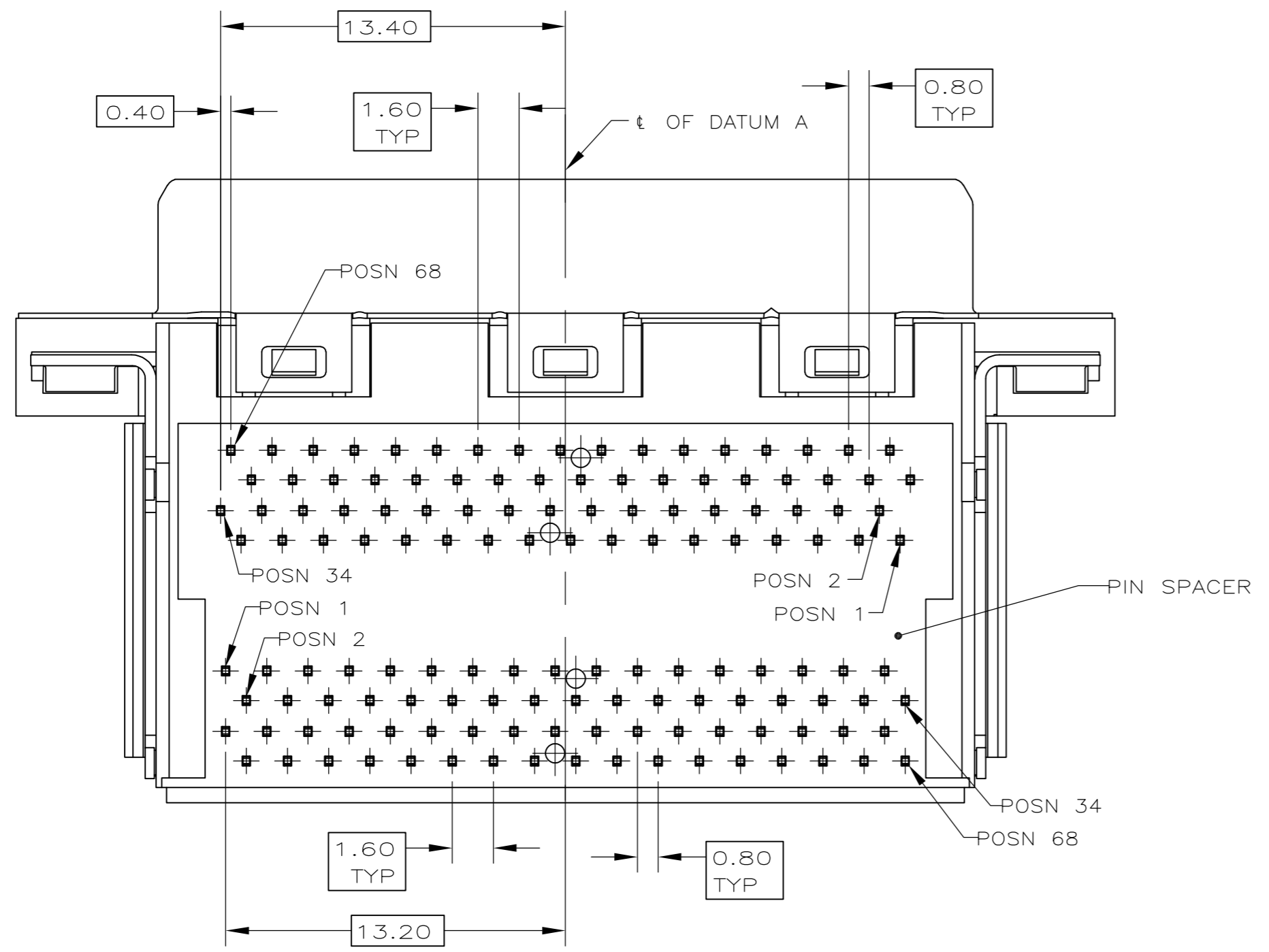
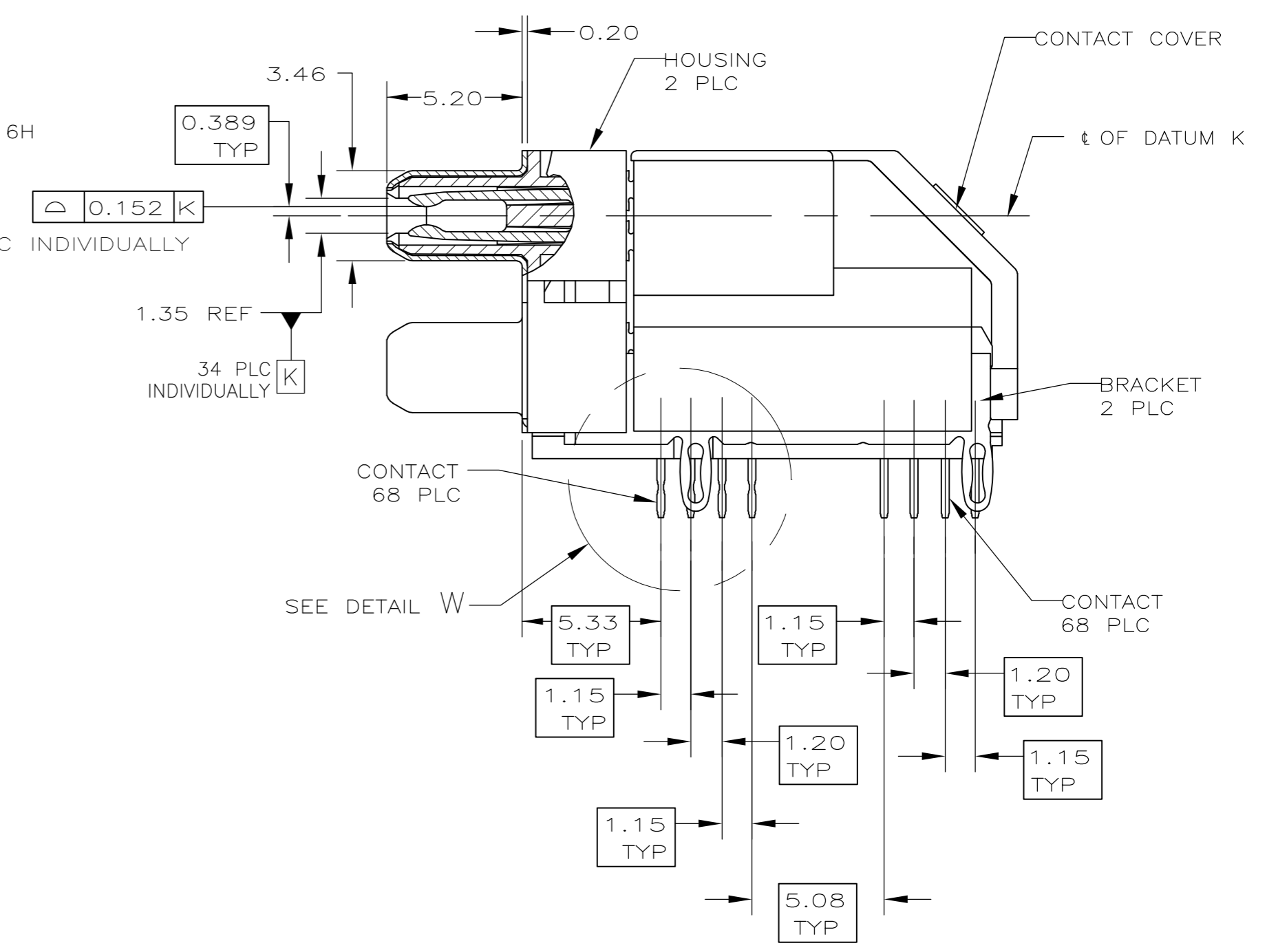
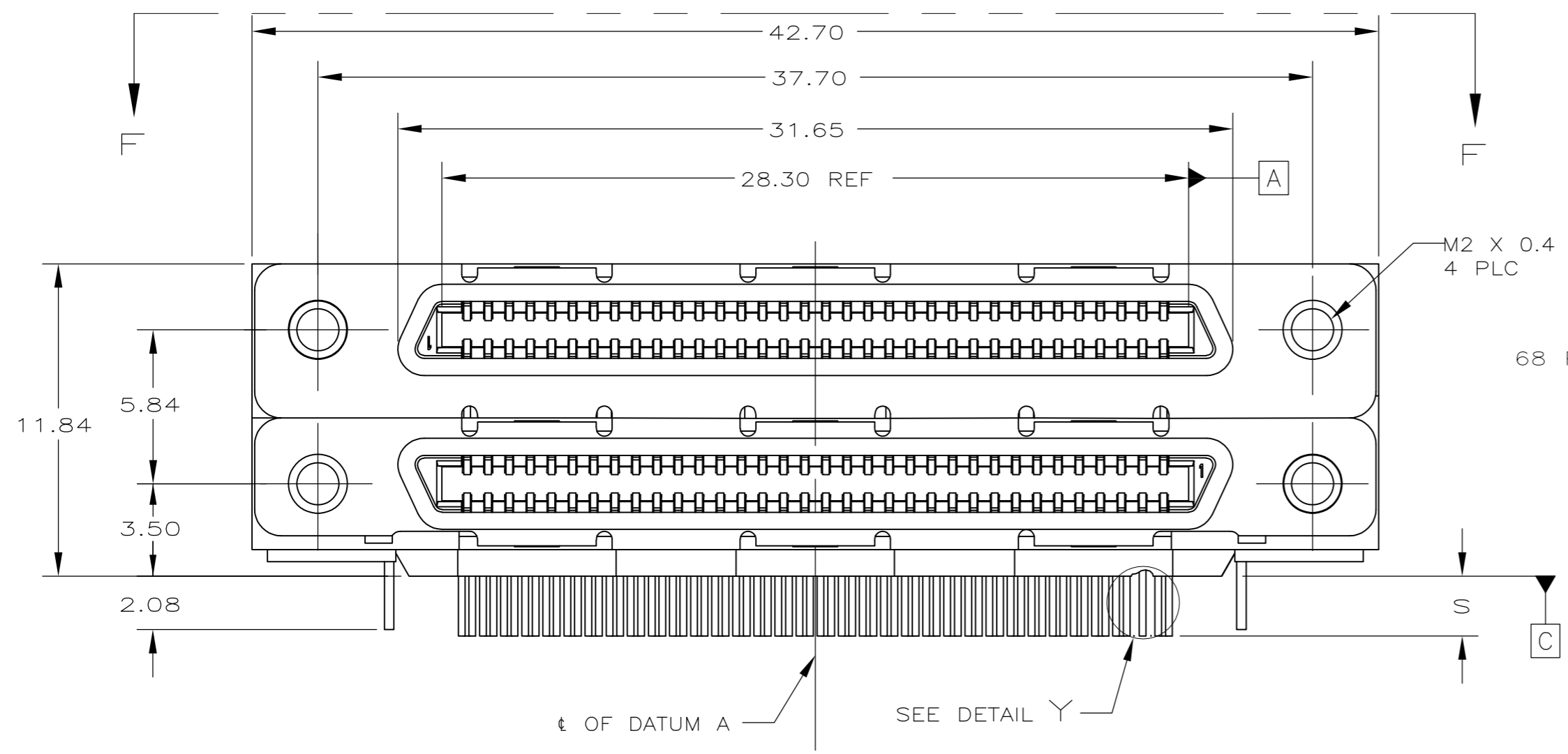


THIS DRAWING IS UNPUBLISHED. RELEASED FOR PUBLICATION  
 © COPYRIGHT - By - ALL RIGHTS RESERVED.

LOC		DIST		REVISIONS			
P	LTR	DESCRIPTION		DATE	DWN	APVD	
GP	00	B		REVISED PER ECO-15-005167	27APR2015	AP	EB



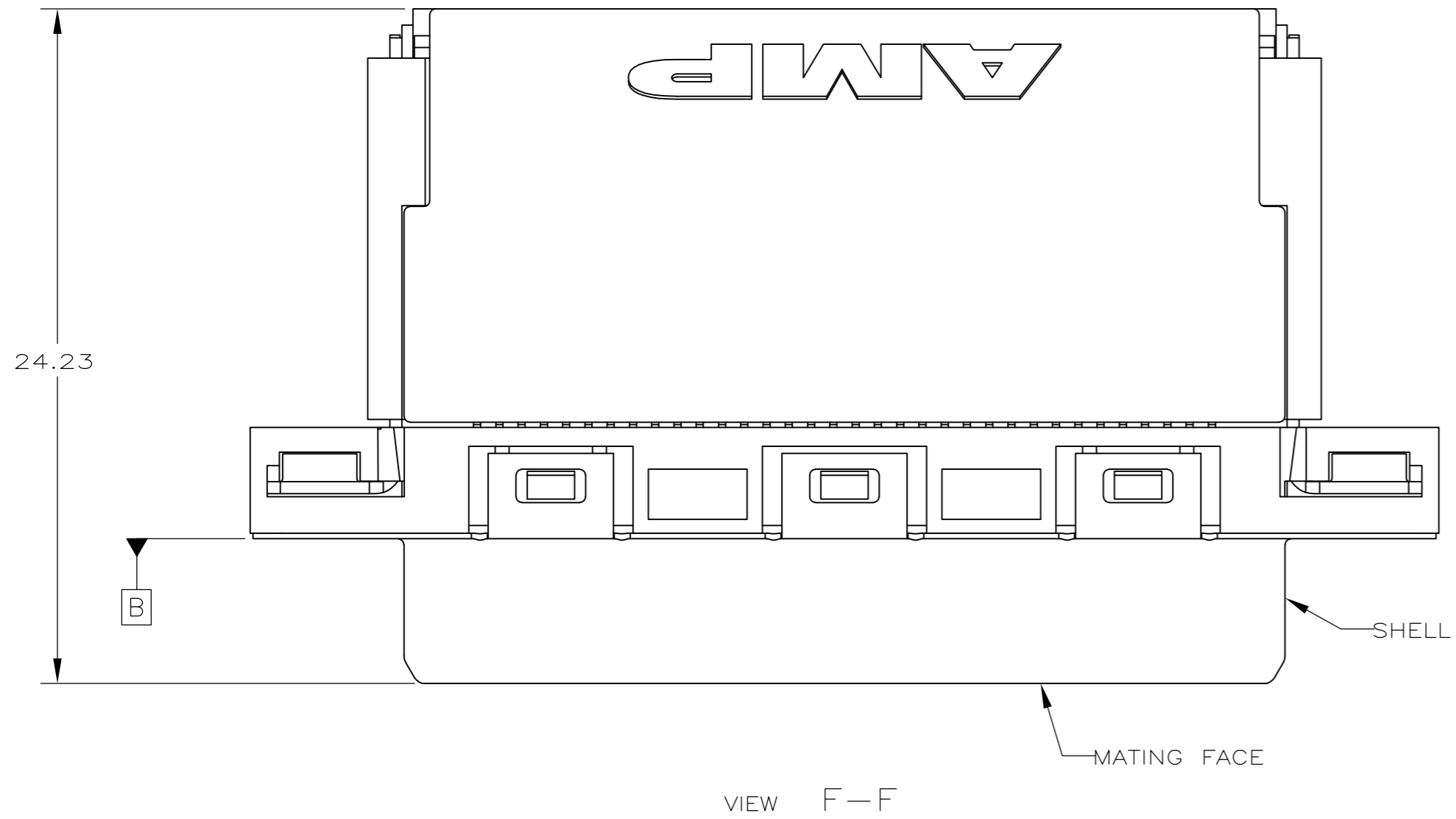
**COPYRIGHT 2005  
 TYCO ELECTRONICS CORP  
 ALL RIGHTS RESERVED**

OBsolete	3.55	8	6489232-2
	2.27	3	6489232-1
S	REMARKS		PART NUMBER

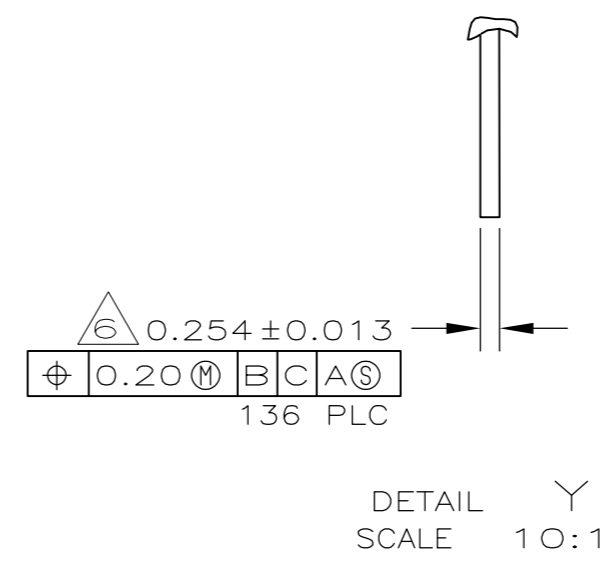
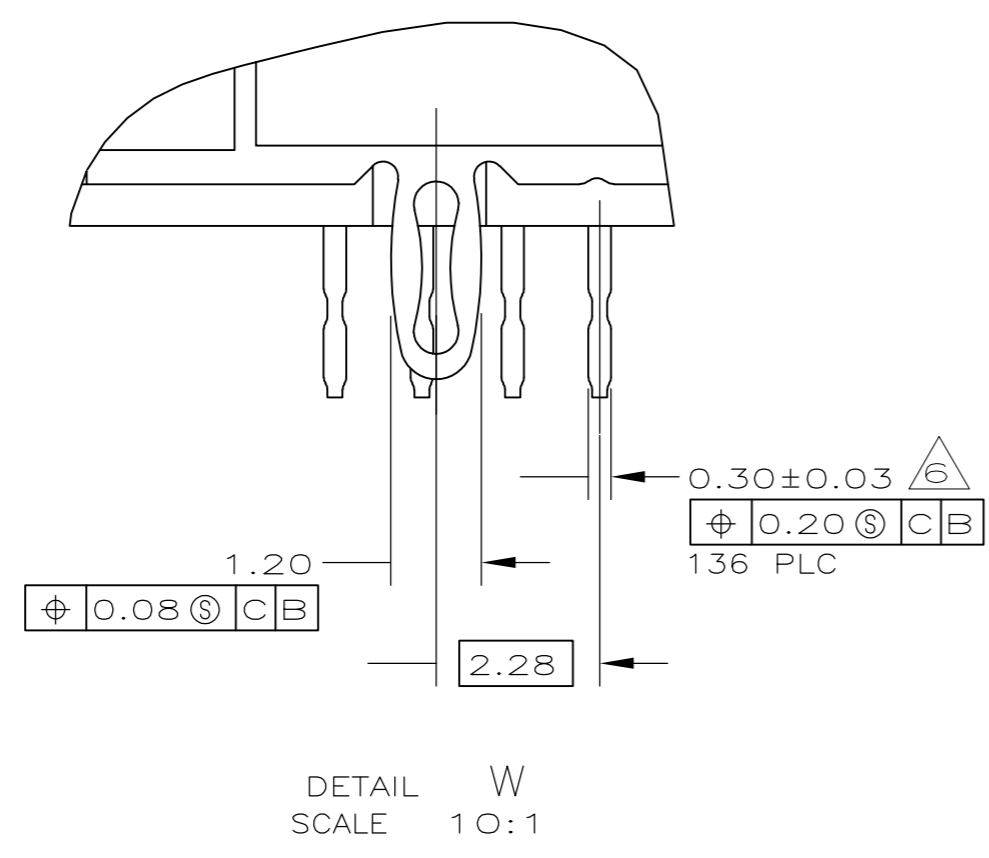
THIS DRAWING IS A CONTROLLED DOCUMENT. DIMENSIONING AND TOLERANCING PER ASME Y14.5M-2009		DWN J. ALCORTA - DOCK5 08-03-05	TE Connectivity	
DIMENSIONS: mm		CHK S. SHUEY 08-03-05	RECEPTACLE ASSEMBLY, 68 POSITION, STACKED, COVERED CONTACTS, RIGHT ANGLE, CHAMP 0.8 mm	
TOLERANCES UNLESS OTHERWISE SPECIFIED:		APVD M. WALMSLEY 08-03-05	NAME	
0 PLC ± -	1 PLC ± -	PRODUCT SPEC 108-1471-1	SIZE CAGE CODE DRAWING NO RESTRICTED TO	
2 PLC ± 0.13	3 PLC ± -	APPLICATION SPEC 114-6057	A2 00779 C=6489232	
4 PLC ± -	ANGLES ± 1°	WEIGHT -	SCALE 5:1	SHEET 1 of 3
MATERIAL 1	FINISH 2	CUSTOMER DRAWING	REV B	

THIS DRAWING IS UNPUBLISHED. RELEASED FOR PUBLICATION  
 © COPYRIGHT - By - ALL RIGHTS RESERVED.

LOC	DIST	REVISIONS			
P	LTR	DESCRIPTION	DATE	DWN	APVD
GP	00	SEE SHEET 1	-	-	-



- 1 MOLDED PARTS: THERMOPLASTIC, BLACK, UL 94V-0 RATED.  
SHELL: CARBON STEEL.  
CONTACTS: PHOSPHOR BRONZE.  
BRACKETS: STEEL.
- 2 SHELL: 5.08µm MIN NICKEL OVER 6.35µm MIN COPPER.  
CONTACTS: 0.76µm MIN GOLD ON MATING END, 3.75µm MIN TIN ON OPPOSITE END, BOTH OVER 1.27µm MIN NICKEL.  
BRACKETS: TIN PLATED.
- 3 CONTACTS DESIGNED FOR USE ON 1.60±0.15 THICK PC BOARD WITH PLATED THRU MOUNTING HOLES.
- 4 RECEPTACLE ASSEMBLY DESIGNED FOR USE WITH 1.12±0.08 THICK PANEL.
- 5 DATUMS AND DIMENSIONS ESTABLISHED BY CUSTOMER.
- 6 POSITION TOLERANCE APPLIES AT CONTACT TIP ONLY.
- 7 OFFSET DIMENSION APPLIES TO LOWER FOOTPRINT ONLY.
- 8 CONTACTS DESIGNED FOR USE ON 2.35±0.15 THICK PC BOARD WITH PLATED THRU MOUNTING HOLES.

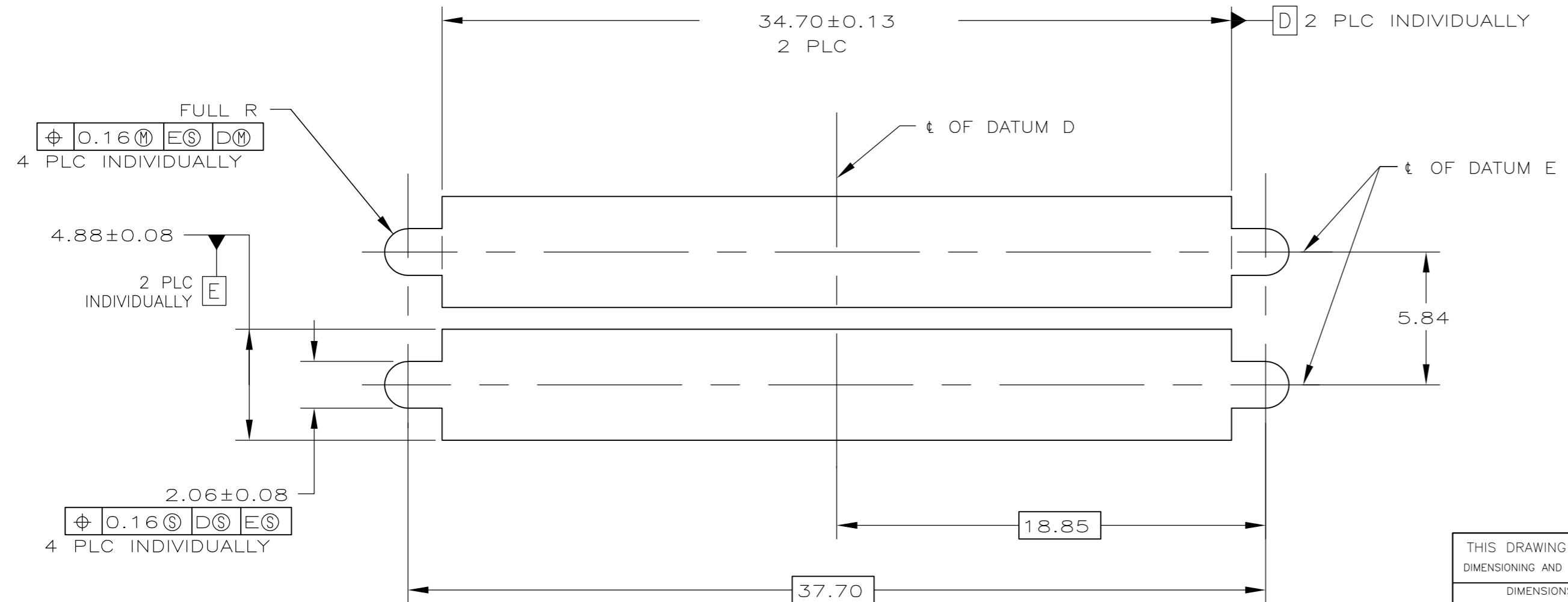
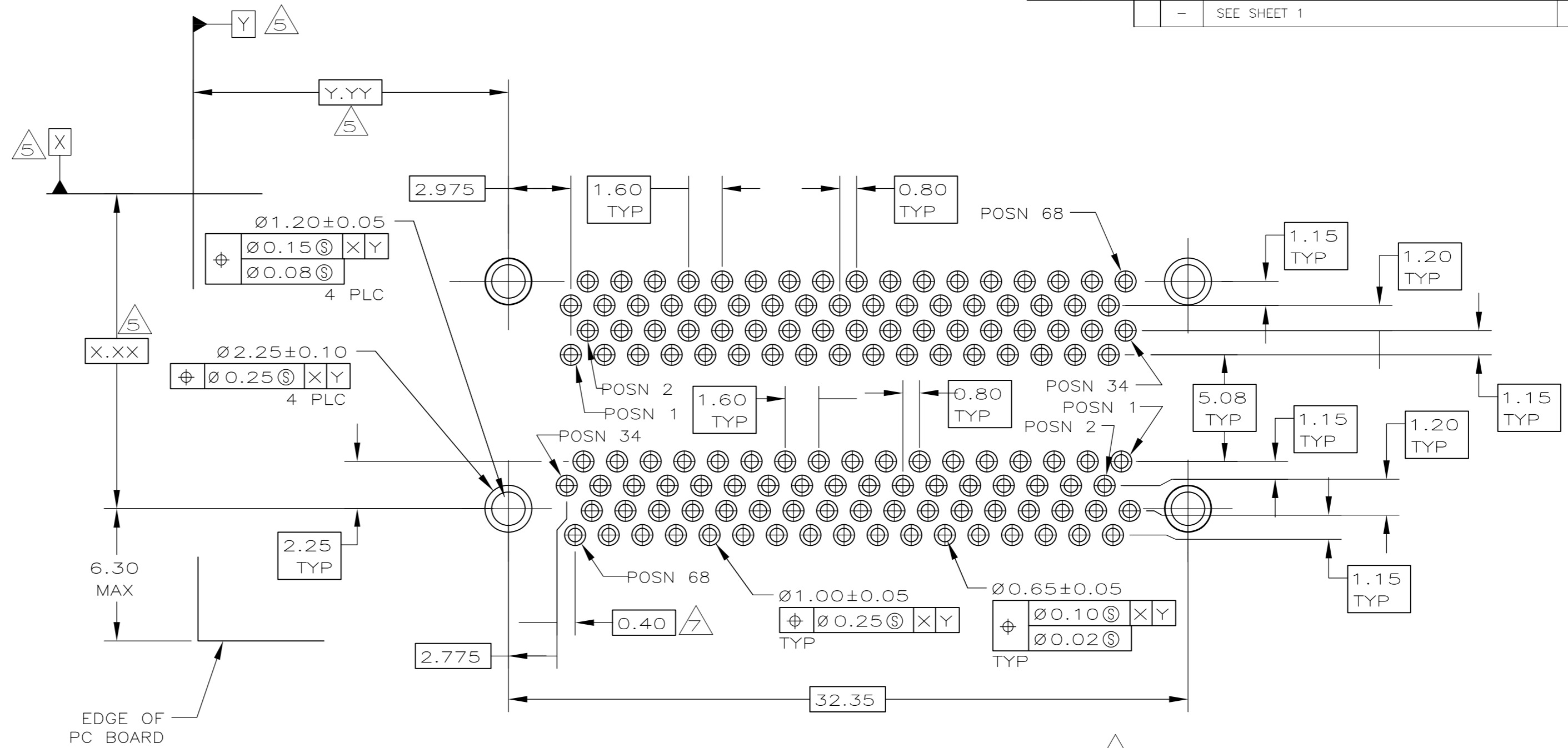


**COPYRIGHT 2005  
 TYCO ELECTRONICS CORP  
 ALL RIGHTS RESERVED**

THIS DRAWING IS A CONTROLLED DOCUMENT. DIMENSIONING AND TOLERANCING PER ASME Y14.5M-2009		DWN J. ALCORTA - DOCK5 08-03-05															
<table border="1"> <tr> <th>DIMENSIONS:</th> <th>TOLERANCES UNLESS OTHERWISE SPECIFIED:</th> </tr> <tr> <td>mm</td> <td>0 PLC ± -</td> </tr> <tr> <td></td> <td>1 PLC ± -</td> </tr> <tr> <td></td> <td>2 PLC ± 0.13</td> </tr> <tr> <td></td> <td>3 PLC ± -</td> </tr> <tr> <td></td> <td>4 PLC ± -</td> </tr> <tr> <td></td> <td>ANGLES ± 1°</td> </tr> </table>		DIMENSIONS:			TOLERANCES UNLESS OTHERWISE SPECIFIED:	mm	0 PLC ± -		1 PLC ± -		2 PLC ± 0.13		3 PLC ± -		4 PLC ± -		ANGLES ± 1°
DIMENSIONS:	TOLERANCES UNLESS OTHERWISE SPECIFIED:																
mm	0 PLC ± -																
	1 PLC ± -																
	2 PLC ± 0.13																
	3 PLC ± -																
	4 PLC ± -																
	ANGLES ± 1°																
<table border="1"> <tr> <th>MATERIAL</th> <th>FINISH</th> </tr> <tr> <td>-</td> <td>-</td> </tr> </table>		MATERIAL	FINISH	-	-	APVD M. WALMSLEY 08-03-05	PRODUCT SPEC										
MATERIAL	FINISH																
-	-																
		APPLICATION SPEC	RECEPTACLE ASSEMBLY, 68 POSITION, STACKED, COVERED CONTACTS, RIGHT ANGLE, CHAMP 0.8mm														
		WEIGHT	SIZE														
		CUSTOMER DRAWING	A2 00779														
		SCALE	DRAWING NO														
		5:1	C=6489232														
		SHEET	RESTRICTED TO														
		2 of 3	-														
		REV	B														

THIS DRAWING IS UNPUBLISHED. RELEASED FOR PUBLICATION  
COPYRIGHT - By - ALL RIGHTS RESERVED.

LOC		DIST		REVISIONS			
GP	00	P	LTR	DESCRIPTION	DATE	DWN	APVD
		-		SEE SHEET 1	-	-	-



**COPYRIGHT 2005  
TYCO ELECTRONICS CORP  
ALL RIGHTS RESERVED**

THIS DRAWING IS A CONTROLLED DOCUMENT. DIMENSIONING AND TOLERANCING PER ASME Y14.5M-2009		DWN J. ALCORTA - 08-03-05	TE Connectivity	
DIMENSIONS: mm		CHK S. SHUEY 08-03-05	NAME	
TOLERANCES UNLESS OTHERWISE SPECIFIED: 0 PLC $\pm$ - 1 PLC $\pm$ - 2 PLC $\pm 0.13$ 3 PLC $\pm$ - 4 PLC $\pm$ - ANGLES $\pm 1^\circ$		APVD M. WALMSLEY 08-03-05	RECEPTACLE ASSEMBLY, 68 POSITION, STACKED, COVERED, CONTACTS, RIGHT ANGLE, CHAMP 0.8mm	
MATERIAL		FINISH	SIZE A2	RESTRICTED TO
-		-	CAGE CODE 00779	DRAWING NO C-6489232
CUSTOMER DRAWING			SCALE 6:1	SHEET 3 OF 3