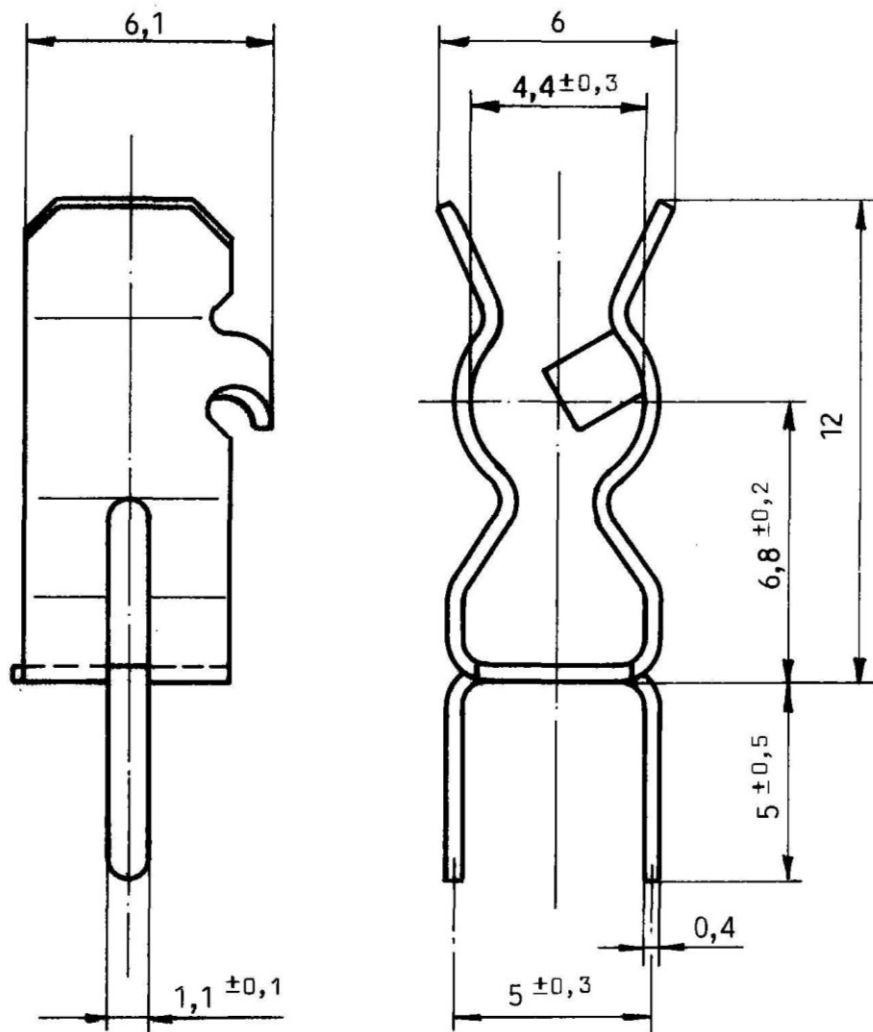


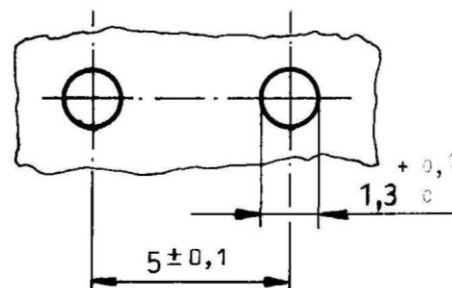
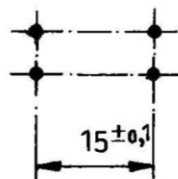
**1. Technical Data**

Rating	UL: 500V AC/DC, 10A
Approval	cURus
Material	Phosphor-bronze
Surface	bare
Order number	0751.0042

**2. Dimension**



Abstand für Gerätesicherung 5 x 20mm



OG (Clip) 5x20					0105.0865	
creation date	created by	release date	released by	notification no.	revision	doc. page
2012-09-27	tel	2012-09-27	tel	23960	c	1 of 1