

PART NUMBER	PART DESCRIPTION	B	C	D
201841-0030	MULTICAT RCPT HSG 1X3 KEY A	27.46	24.46	17.35
201841-0031	MULTICAT RCPT HSG 1X3 KEY B	27.46	24.46	17.35
201841-0040	MULTICAT RCPT HSG 1X4 KEY A	34.86	31.86	24.75
201841-0041	MULTICAT RCPT HSG 1X4 KEY B	34.86	31.86	24.75
201841-0130	MULTICAT RCPT HSG W/ CPA 1X3 KEY A	27.46	24.46	17.35
201841-0131	MULTICAT RCPT HSG W/ CPA 1X3 KEY B	27.46	24.46	17.35
201841-0140	MULTICAT RCPT HSG W/ CPA 1X4 KEY A	34.86	31.86	24.75
201841-0141	MULTICAT RCPT HSG W/ CPA 1X4 KEY B	34.86	31.86	24.75

THIS DRAWING CONTAINS INFORMATION THAT IS PROPRIETARY TO MOLEX ELECTRONIC TECHNOLOGIES, LLC AND SHOULD NOT BE USED WITHOUT WRITTEN PERMISSION

DIMENSION UNITS	SCALE	CURRENT REV DESC:		
mm	2:1	<p>molex</p> <p>MULTICAT IN-LINE RECEPTACLE HOUSING WTW/WTB</p> <p>PRODUCT CUSTOMER DRAWING</p>		
GENERAL TOLERANCES (UNLESS SPECIFIED)				
ANGULAR TOL	± °			
4 PLACES	±			
3 PLACES	± 0.05			
2 PLACES	± 0.1	EC NO: 627270	2019/03/28	
1 PLACE	± 0.2	DRWN: MKP	2019/11/12	
0 PLACES	±	CHK'D: MRAMAKRISHNA	2019/11/13	
DRAFT WHERE APPLICABLE MUST REMAIN WITHIN DIMENSIONS		APPR: ISHWARG	2019/11/13	
THIRD ANGLE PROJECTION		INITIAL REVISION:	DOCUMENT NUMBER	DOC TYPE
		DRWN: RMV02	2018410000-SD	PSD
DRAWING		APPR: KPRASAD	000	REVISION
A4-SIZE		2016/12/06	A1	
SERIES		2017/02/08	SHEET NUMBER	
201841		MATERIAL NUMBER	1 OF 3	
SEE TABLE		CUSTOMER		
GENERAL MARKET				

DOCUMENT STATUS	P1	RELEASE DATE	2019/11/13	03:33:58
-----------------	----	--------------	------------	----------

6

5

4

3

2

1

NOTES:

1. HOUSING MATERIAL:

- PEI,
- UL RATED 94 V-0
- COLOR: BLACK (FOR KEY-A)
- COLOR: GRAY (FOR KEY-B)

2. CPA MATERIAL:

- PBT
- COLOR: RED

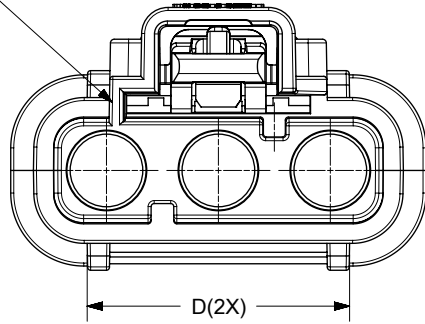
3. USED WITH TERMINAL PART NUMBER 201846-00**

4. SHALL CONFIRM TO PRODUCT SPECIFICATION 2018400000-PS

5. COMPLY WITH PACKAGING SPECIFICATION 2018410000-PK

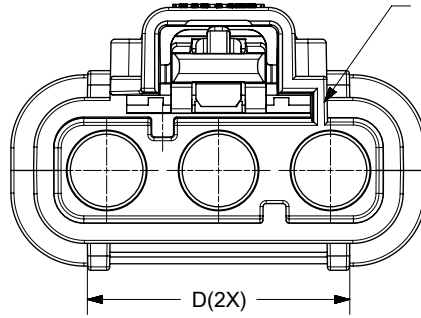
6. COSMETIC SPECIFICATION PS-45499-002 CLASS B

KEY



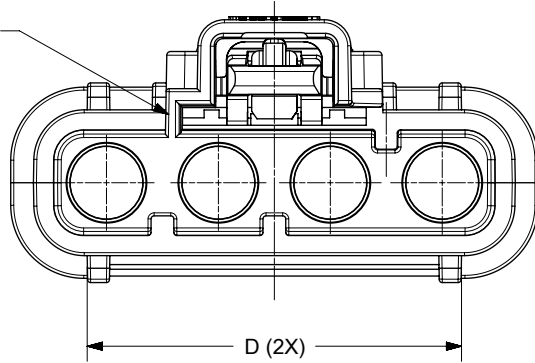
PN 201841-0*30
KEY A (BLACK)

KEY



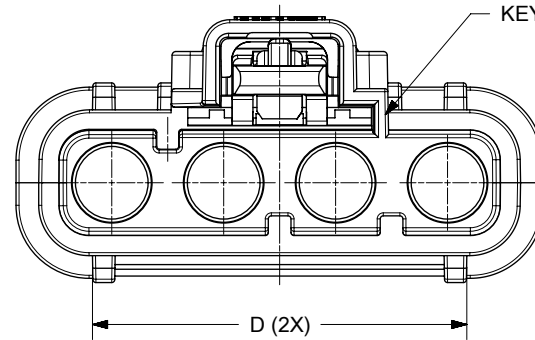
PN 201841-0*31
KEY B (GRAY)

KEY



PN 201841-0*40
KEY A (BLACK)

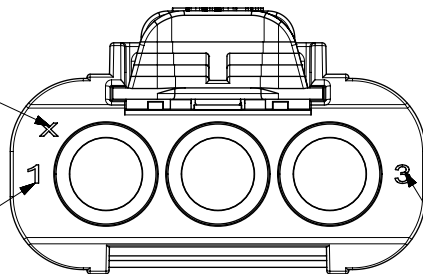
KEY



PN 201841-0*41
KEY B (GRAY)

CAVITY ID

SMALLEST
CKT NO



LARGEST
CKT NO

THIS DRAWING CONTAINS INFORMATION THAT IS PROPRIETARY TO MOLEX ELECTRONIC TECHNOLOGIES, LLC AND SHOULD NOT BE USED WITHOUT WRITTEN PERMISSION

DIMENSION UNITS: mm SCALE: 2:1

GENERAL TOLERANCES (UNLESS SPECIFIED)

ANGULAR TOL	±	°
4 PLACES	±	
3 PLACES	±	0.05
2 PLACES	±	0.1
1 PLACE	±	0.2
0 PLACES	±	

CURRENT REV DESC:

EC NO: 627270	
DRWN: MKP	2019/03/28
CHK'D: MRAMAKRISHNA	2019/11/12
APPR: ISHWARG	2019/11/13
INITIAL REVISION:	
DRWN: RMV02	2016/12/06
APPR: KPRASAD	2017/02/08



MULTICAT IN-LINE RECEPTACLE HOUSING
WTW/WTB

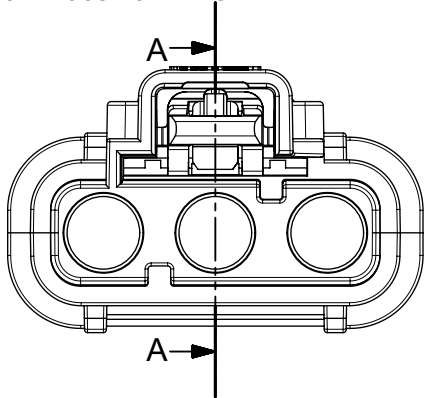
PRODUCT CUSTOMER DRAWING

DOCUMENT NUMBER	DOC TYPE	DOC PART	REVISION
2018410000-SD	PSD	000	A1

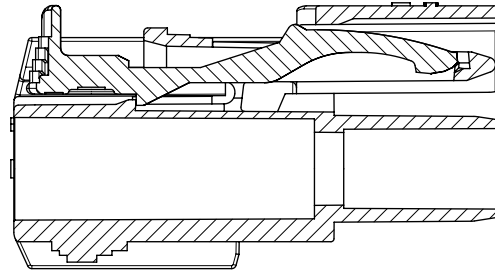
DRAFT WHERE APPLICABLE MUST REMAIN WITHIN DIMENSIONS	THIRD ANGLE PROJECTION	DRAWING	SERIES	MATERIAL NUMBER	CUSTOMER	SHEET NUMBER
		A4-SIZE	201841	SEE TABLE	GENERAL MARKET	2 OF 3

DOCUMENT STATUS	P1	RELEASE DATE	2019/11/13	03:33:58
-----------------	----	--------------	------------	----------

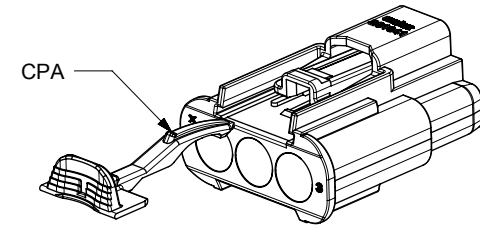
RECEPTACLE HOUSING WITH CPA



PN 201841-01**

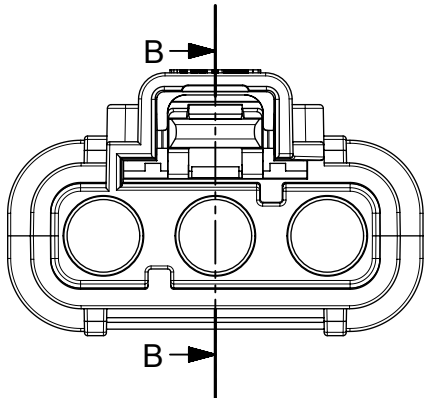


SECTION A-A

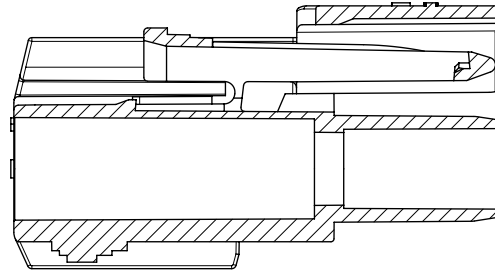


SCALE 1:1

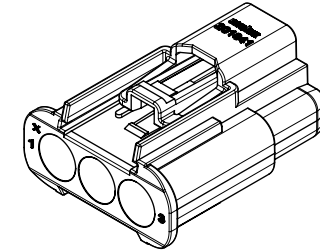
RECEPTACLE HOUSING



PN 201841-00**



SECTION B-B



SCALE 1:1

THIS DRAWING CONTAINS INFORMATION THAT IS PROPRIETARY TO MOLEX ELECTRONIC TECHNOLOGIES, LLC AND SHOULD NOT BE USED WITHOUT WRITTEN PERMISSION

DIMENSION UNITS	SCALE	CURRENT REV DESC:			
mm	2:1	<p>molex</p> <p>MULTICAT IN-LINE RECEPTACLE HOUSING WTW/WTB</p> <p>PRODUCT CUSTOMER DRAWING</p>			
GENERAL TOLERANCES (UNLESS SPECIFIED)					
ANGULAR TOL	± °				
4 PLACES	±				
3 PLACES	± 0.05				
2 PLACES	± 0.1				
1 PLACE	± 0.2	EC NO: 627270	2019/03/28	DRWN: MKP	2019/11/12
0 PLACES	±	CHK'D: MRAMAKRISHNA	2019/11/12	APPR: ISHWARG	2019/11/13
DRAFT WHERE APPLICABLE MUST REMAIN WITHIN DIMENSIONS		INITIAL REVISION:		DRWN: RMV02	2016/12/06
THIRD ANGLE PROJECTION		DRAWING		APPR: KPRASAD	2017/02/08
SERIES		MATERIAL NUMBER		CUSTOMER	SHEET NUMBER
A4-SIZE		201841		2018410000-SD	3 OF 3
DOCUMENT NUMBER		DOC TYPE		DOC PART	REVISION
SEE TABLE		GENERAL MARKET		PSD	000 A1

DOCUMENT STATUS	P1	RELEASE DATE	2019/11/13	03:33:58
-----------------	----	--------------	------------	----------