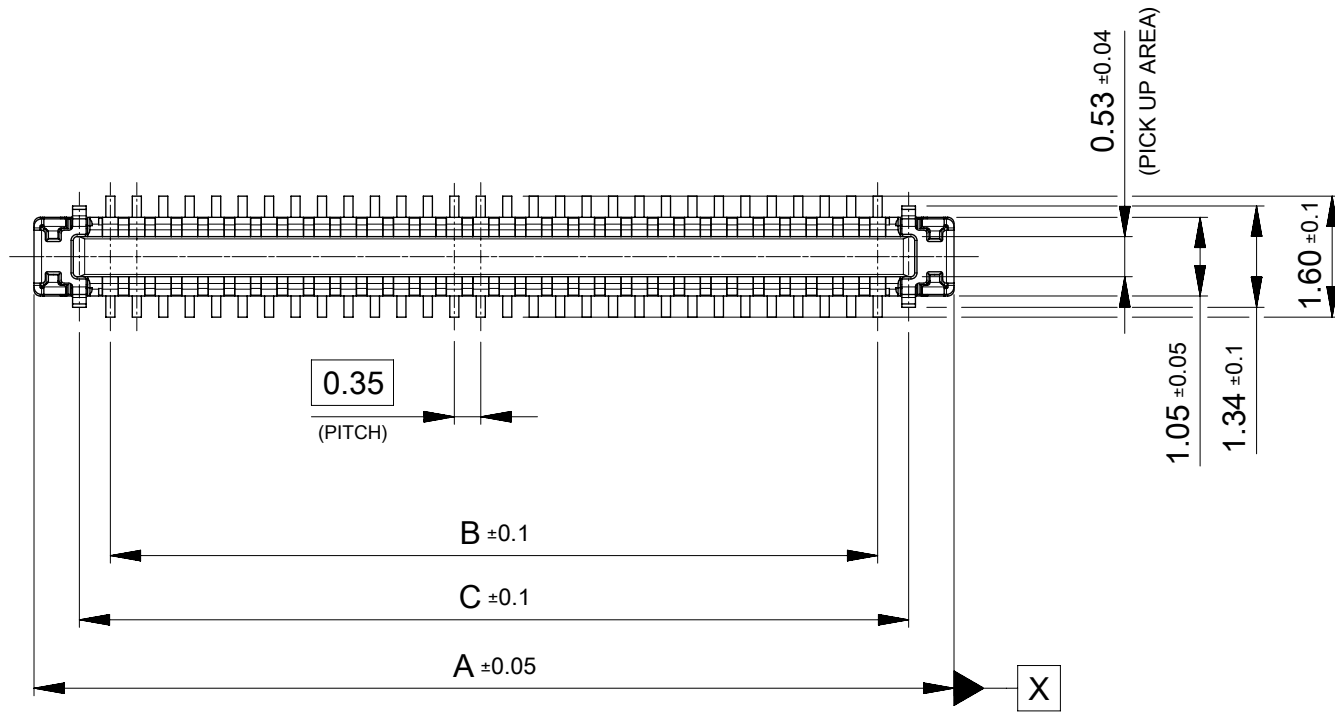
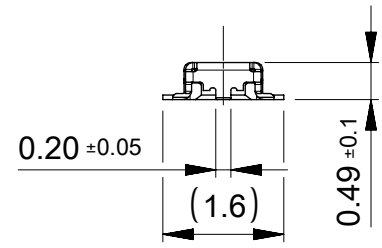
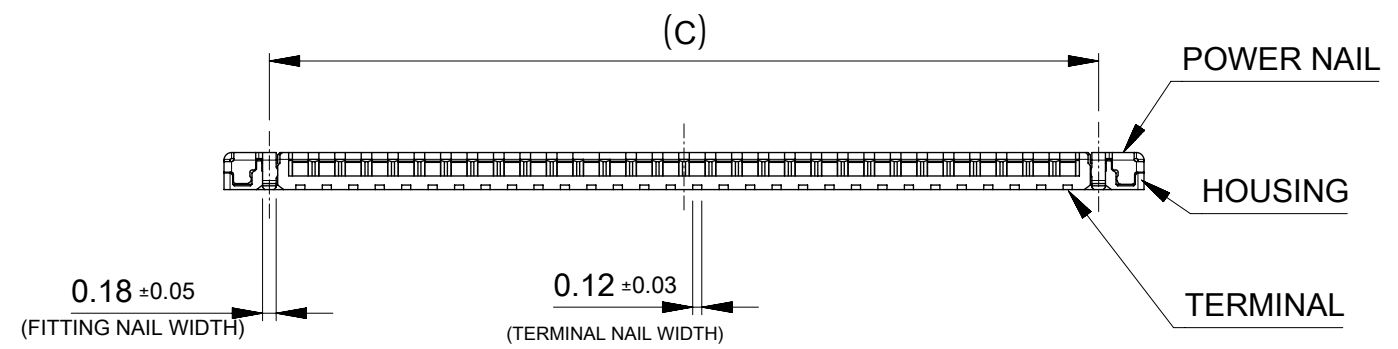


GENERAL DRAWING



NOTES

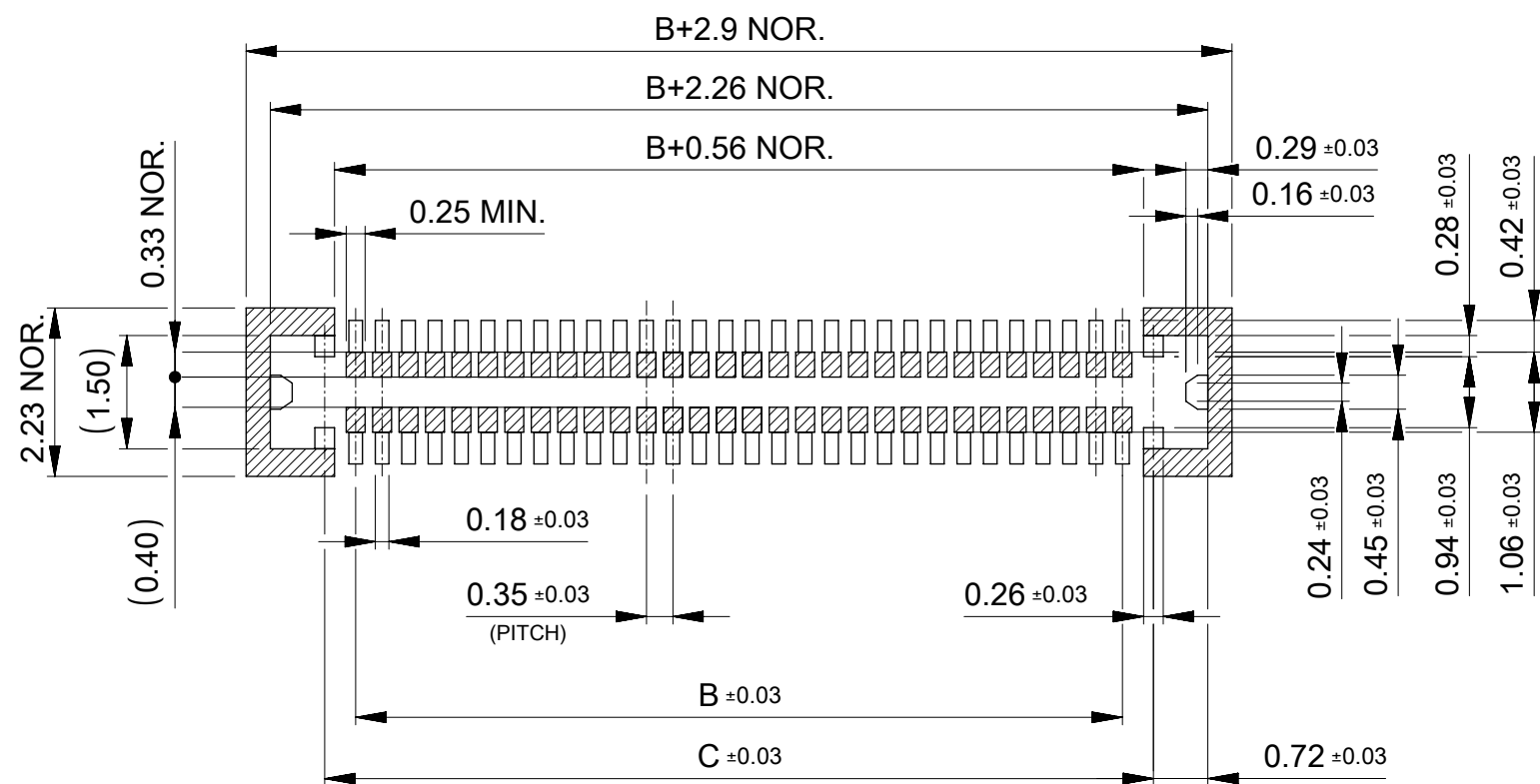
- MATERIAL**  
HOUSING : LIQUID CRYSTAL POLIMER UL94V-0 (COLOR : BLACK)  
TERMINAL : COPPER ALLOY  
FITTING NAIL : COPPER ALLOY
- PLATING**  
**TERMINAL :**  
CONTACT AREA : GOLD PLATING(0.1µm MINIMUM)  
SOLDER TAIL AREA : GOLD PLATING(0.05µm MINIMUM)  
UNDER PLATING : NICKEL OVERALL(1.0µm MINIMUM)  
\* DIVIED INTO PARTS THE GOLD PLATING OF THE CONTACT AND THE TAIL PART BY THE NICKEL PLATING.  
**FITTING NAIL :**  
CONTACT AREA :GOLD PLATING(0.1µm MINIMUM)  
SOLDER TAIL AREA : GOLD PLATING(0.05µm MINIMUM)  
UNDER PLATING : NICKEL OVERALL(1.0µm MINIMUM)  
\* DIVIED INTO PARTS THE GOLD PLATING OF THE CONTACT AND THE TAIL PART BY THE NICKEL PLATING.
- MATE WITH : 216700\*\*\*\***
- COPLANARITY : SHALL BE 0.08MAX. ON BOTH OF TERMINAL AND NAIL. AND 0.1 MAXIMUM AFTER REFLOW**
- PROHIBITED AREA OF PATTERN WIRING AND SOLDER. (FOR EACH AREA, THE WIRING THAT TOUCHES ON THE SOLDER CAN BE ATTACHED, THEN COVERED WITH A FILM TO KEEP SOLDER OUT)**



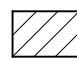
10.97	10.15	12.17	2167010609	---	O	60
9.92	9.10	11.12	2167010549	O	---	54
9.22	8.40	10.42	2167010509	O	---	50
7.47	6.65	8.67	2167010409	O	---	40
5.72	4.90	6.92	2167010309	---	O	30
4.67	3.85	5.87	2167010249	---	O	24
3.97	3.15	5.17	2167010209	O	---	20
2.22	1.40	3.42	2167010109	---	O	10
C	B	A	EMBOSSSED TAPE PACKAGE	HIGH VOL. TOOL	LOW VOL. TOOL	Ckts
			ORDER No.	SAMPLE PREPARATION		
			O : TOOLED □ : WORK PROCESS --- : TOOLING TO BE CONFIRMED			

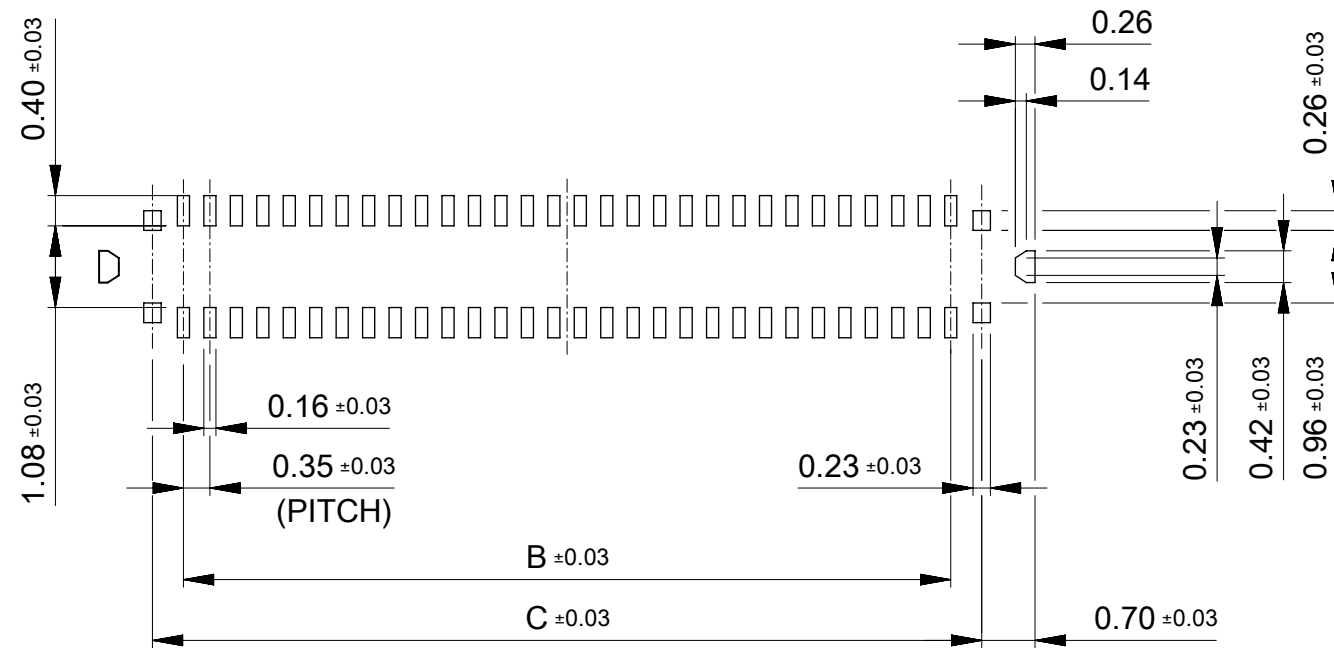
CONNECTOR SERIES No. : 2167010\*\*\*

FUNCTIONAL SYMBOLS	THIS DRAWING CONTAINS INFORMATION THAT IS PROPRIETARY TO MOLEX ELECTRONIC TECHNOLOGIES, LLC AND SHOULD NOT BE USED WITHOUT WRITTEN PERMISSION		CURRENT REV DESC:		<b>molex</b>		
	mm	10:1					
DIVISIONAL SYMBOLS	GENERAL TOLERANCES (UNLESS SPECIFIED)		EC NO: 746141		PRODUCT CUSTOMER DRAWING		
	ANGULAR TOL ± 1.0°		DRWN: DWLEE02 2023/04/14				
4 PLACES ± 0.05		CHK'D: JHCHANG 2023/04/14		DOCUMENT NUMBER	DOC TYPE	DOC PART	REVISION
3 PLACES ± 0.05		APPR: JBJIN 2023/04/17					
2 PLACES ± 0.05		INITIAL REVISION:		2167010000-SD			
1 PLACE ± 0.1		DRWN: JHCHANG 2023/04/13		PSD 001 A			
0 PLACES ± 0.2		APPR: JBJIN 2023/04/17		SEE CHART GENERAL 1 OF 2			
DRAFT WHERE APPLICABLE MUST REMAIN WITHIN DIMENSIONS		THIRD ANGLE PROJECTION	DRAWING	SERIES	MATERIAL NUMBER	CUSTOMER	SHEET NUMBER
			A3-SIZE	216701	SEE CHART	GENERAL	1 OF 2



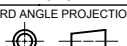
**RECOMMENDED P.C.BOARD PATTERN LAYOUT**  
(FOR REFERENCE)

 SOLDER PROHIBITED AREA.  
WHEN WIREING IS LOCATED,  
THE WIRING MUST BE MASKED BY COVER LAY OR RESIST FILM.

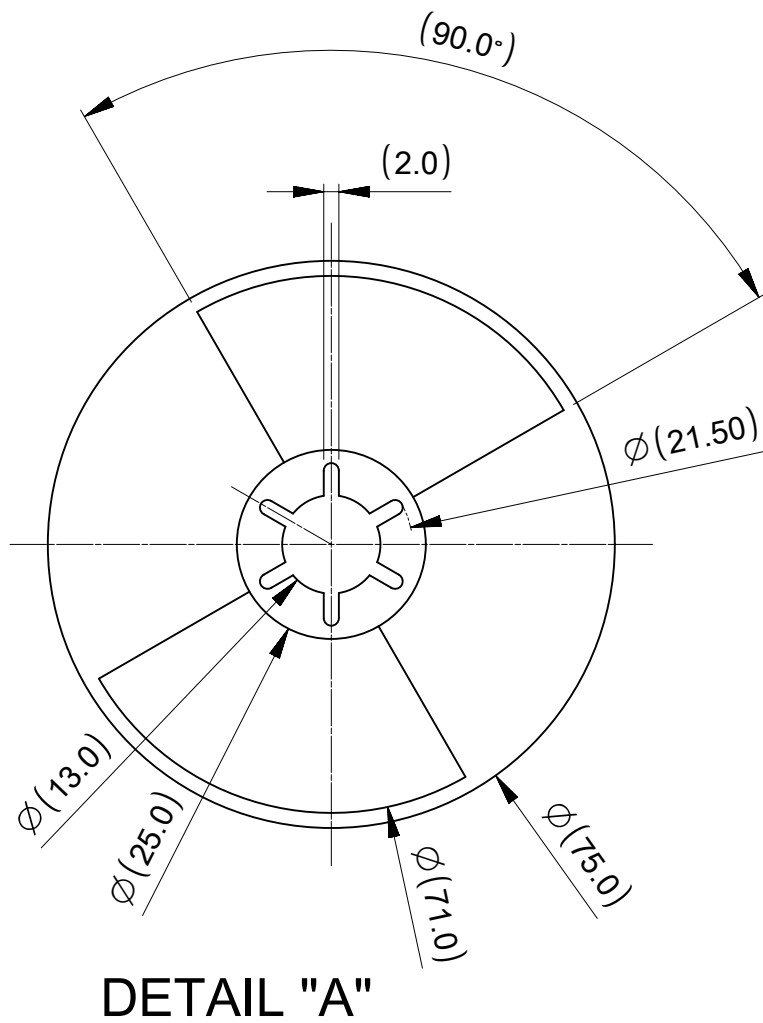
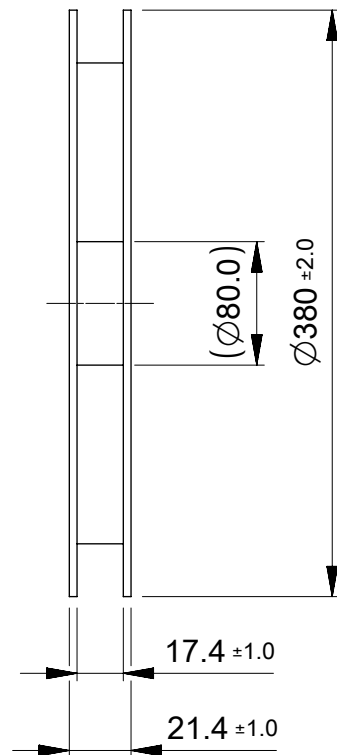
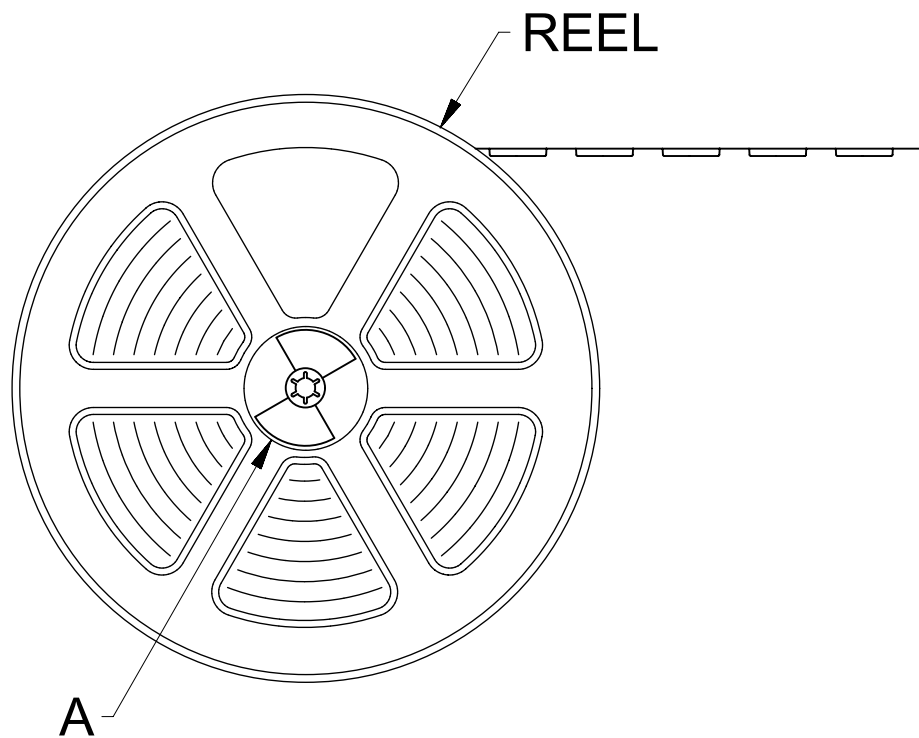


**RECOMMENDED METAL MASK LAYOUT**  
(FOR REFERENCE)

RECOMMENDED THICKNESS : 0.08mm  
RECOMMENDED APERTURE DIMENSION IS JUST SAME AS SHOWN FIGURE ABOVE.  
FOR THIS DIMENSION, APERTURE RATIO ARE SIGNAL TERMINAL AND  
FITTING NAIL ALL 80%.

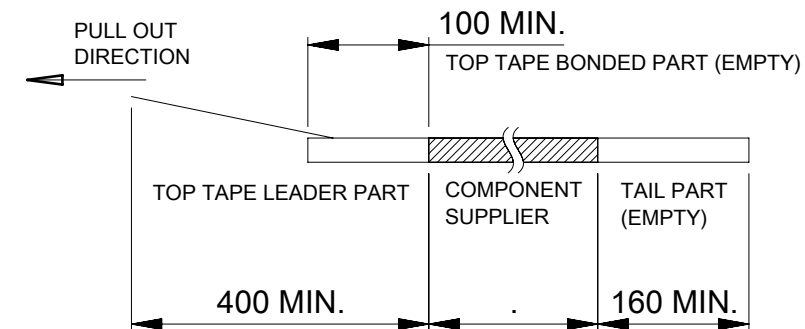
FUNCTIONAL SYMBOLS	THIS DRAWING CONTAINS INFORMATION THAT IS PROPRIETARY TO MOLEX ELECTRONIC TECHNOLOGIES, LLC AND SHOULD NOT BE USED WITHOUT WRITTEN PERMISSION		CURRENT REV DESC:		<b>molex</b>				
	▽A = 0	mm						10:1	
DIVISIONAL SYMBOLS	GENERAL TOLERANCES (UNLESS SPECIFIED)		EC NO: 746141 DRWN: DWLEE02 2023/04/14 CHK'D: JHCHANG 2023/04/14 APPR: JBJIN 2023/04/17		0.35 BB CONN H=0.6 ACB6 PLUS PLUG ASSY				
	▽E = 0	ANGULAR TOL ± 1.0 °							
	▽F = 0	4 PLACES						± 0.05	
		3 PLACES						± 0.05	
		2 PLACES						± 0.05	
	1 PLACE	± 0.1	INITIAL REVISION:		DOCUMENT NUMBER		DOC TYPE	DOC PART	REVISION
	0 PLACES	± 0.2	DRWN: JHCHANG 2023/04/13 APPR: JBJIN 2023/04/17		2167010000-SD		PSD	001	A
DRAFT WHERE APPLICABLE MUST REMAIN WITHIN DIMENSIONS		THIRD ANGLE PROJECTION	DRAWING	SERIES	MATERIAL NUMBER	CUSTOMER		SHEET NUMBER	
			A3-SIZE	216701	SEE CHART	GENERAL		2 OF 2	

⇒ PULL OUT DIRECTION



NOTES

1. RE DETAILED DIMENSION, SEE PRODUCT DRAWING.
2. NUMBER OF CONNECTORS : 20,000PCS/REEL
3. LEAD TAPE LENGTH :



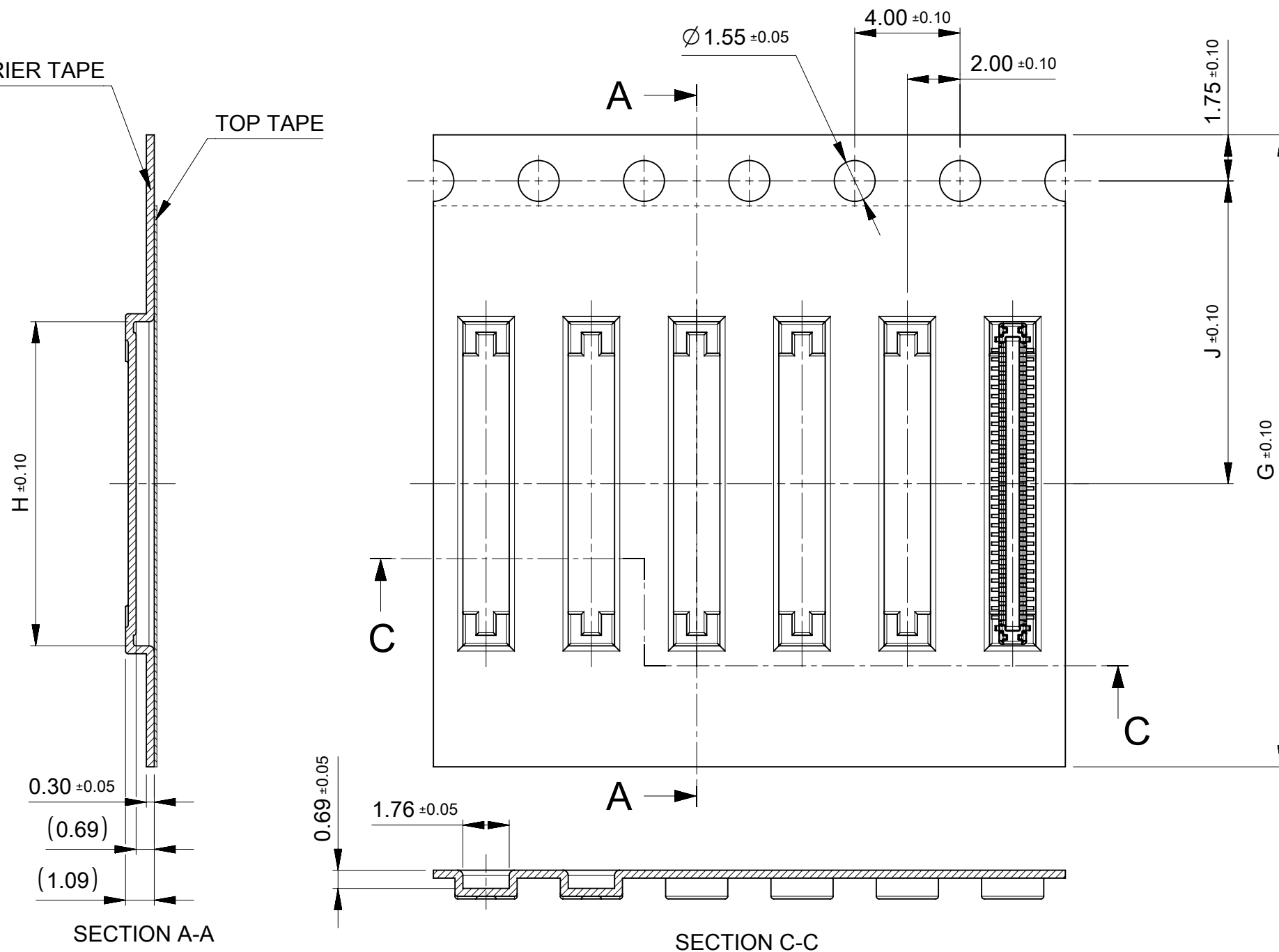
4. PEEL OFF FORCE OF THE TOP TAPE IS DEFINDED BY IEC 60286-3.
5. MATERIAL
  - CARRIER TAPE : POLYSTYRENE OR PET
  - TOP TAPE : PET, OTHER
  - REEL : POLYSTYRENE(PS) [RECYCLE MATERIAL CONTAINED]

FUNCTIONAL SYMBOLS	THIS DRAWING CONTAINS INFORMATION THAT IS PROPRIETARY TO MOLEX ELECTRONIC TECHNOLOGIES, LLC AND SHOULD NOT BE USED WITHOUT WRITTEN PERMISSION		CURRENT REV DESC:		<b>molex</b>
	DRWN: DWLEE02	2023/04/14	0.35 BB CONN H=0.6 ACB6 PLUS PLUG PKG		
GENERAL TOLERANCES (UNLESS SPECIFIED)	EC NO: 746141		2023/04/14		PRODUCT CUSTOMER DRAWING
ANGULAR TOL ± 1.0 °	CHK'D: JHCHANG		2023/04/17		
4 PLACES ± 0.05	APPR: JBJIN		2023/04/17		DOCUMENT NUMBER: 2167010001-SD
3 PLACES ± 0.05	INITIAL REVISION:		DOC TYPE: PSD		
2 PLACES ± 0.05	DRWN: JHCHANG		DOC PART: 001		REVISION: A
1 PLACE ± 0.1	APPR: JBJIN		2023/04/17		
0 PLACES ± 0.2	DRAFT WHERE APPLICABLE MUST REMAIN WITHIN DIMENSIONS		THIRD ANGLE PROJECTION		SHEET NUMBER: 1 OF 2
DRAWING: A3-SIZE		SERIES: 216701		MATERIAL NUMBER: SEE SHEET2	
CUSTOMER: GENERAL		MATERIAL NUMBER: SEE SHEET2		CUSTOMER: GENERAL	

PULL OUT DIRECTION →

EMBOSS CARRIER TAPE

TOP TAPE



SECTION A-A

SECTION C-C

12.31	11.50	24.00	2167010609	---	O	60
11.26			2167010549	O	---	54
10.56			2167010509	O	---	50
8.81	9.25	16.00	2167010409	O	---	40
7.06			2167010309	---	O	30
6.01			2167010249	---	O	24
5.34			2167010209	O	---	20
3.56			2167010109	---	O	10
H	J	G	EMBOSSED TAPE PACKAGE	HIGH VOL. TOOL	LOW VOL. TOOL	Ckts
ORDER No.			SAMPLE PREPARATION			
			O : TOOLED			
			□ : WORK PROCESS			
			--- : TOOLING TO BE CONFIRMED			
CONNECTOR SERIES No. : 216701****						

FUNCTIONAL SYMBOLS	THIS DRAWING CONTAINS INFORMATION THAT IS PROPRIETARY TO MOLEX ELECTRONIC TECHNOLOGIES, LLC AND SHOULD NOT BE USED WITHOUT WRITTEN PERMISSION		CURRENT REV DESC:		<b>molex</b>			
	▽ <sub>A</sub> = 0	DIMENSION UNITS: mm						SCALE: 5:1
▽ <sub>E</sub> = 0	GENERAL TOLERANCES (UNLESS SPECIFIED)		EC NO: 746141 DRWN: DWLEE02 CHK'D: JHCHANG APPR: JBJIN		0.35 BB CONN H=0.6 ACB6 PLUS PLUG PKG			
▽ <sub>F</sub> = 0	ANGULAR TOL ± 1.0°							
DIVISIONAL SYMBOLS	4 PLACES	± 0.05						2023/04/14
	3 PLACES	± 0.05						2023/04/14
	2 PLACES	± 0.05	2023/04/17					
	1 PLACE	± 0.1						
	0 PLACES	± 0.2						
INITIAL REVISION:			DOCUMENT NUMBER		DOC TYPE	DOC PART	REVISION	
DRWN: JHCHANG APPR: JBJIN			2167010001-SD		PSD	001	A	
DRAFT WHERE APPLICABLE MUST REMAIN WITHIN DIMENSIONS		THIRD ANGLE PROJECTION	DRAWING	SERIES	MATERIAL NUMBER	CUSTOMER	SHEET NUMBER	
			A3-SIZE	216701	SEE SHEET2	GENERAL	2 OF 2	