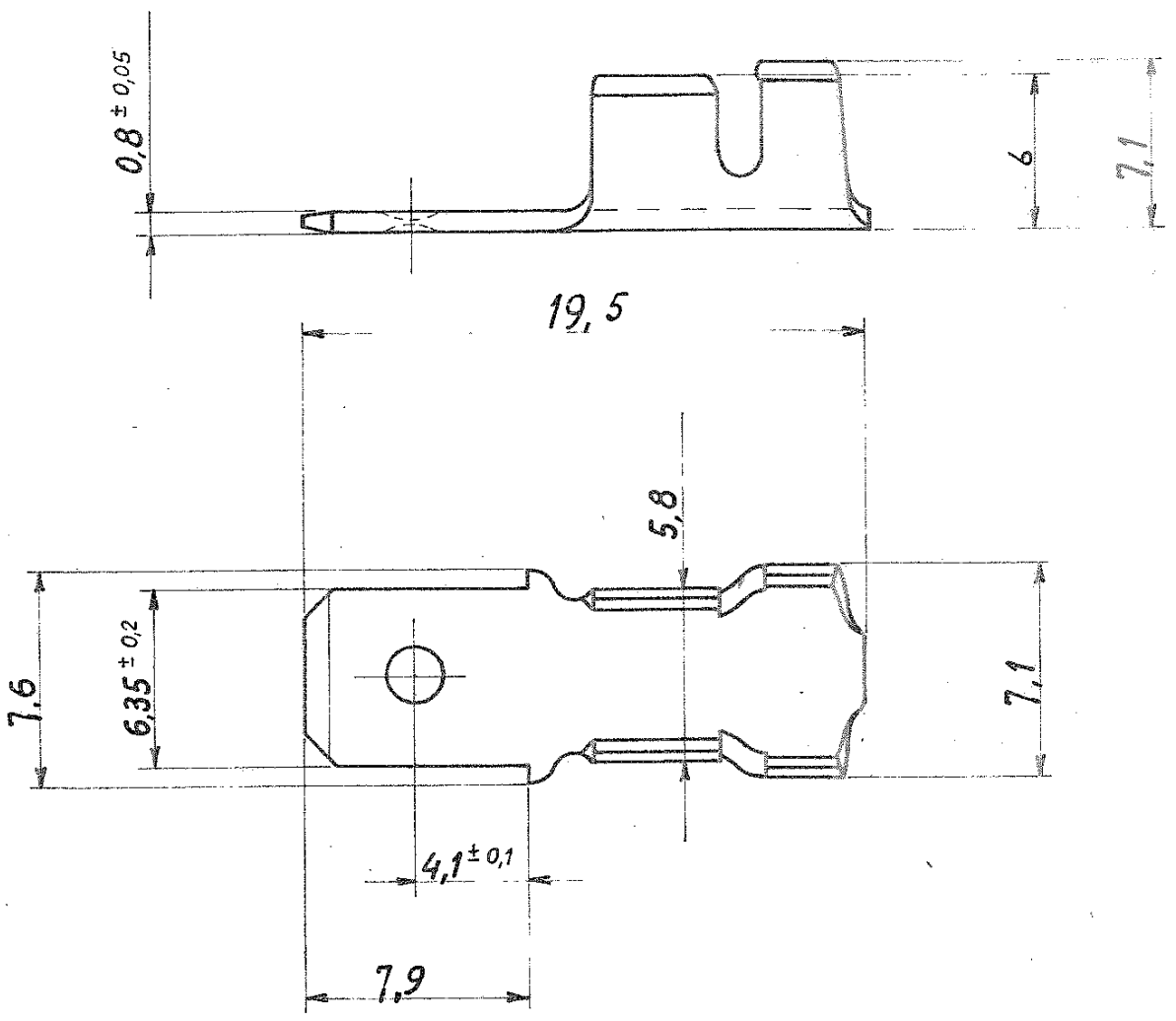


C-180353

N° Part.	Materiale
180353-1	Ottone.
180353-2	Ottone stagnato.



DIMENSIONS IN MM DO NOT SCALE PRINT

H2	ECR-22-132528	DB	ZC	17 NOV 2022
H1	ADDED PLATING INFORMATION	H.Y	G.T	01 APR 2008
H	ADDED DASH 3	HY	G.T.	21 JAN 2008
C	Rivisto e ridisegnato	DR	CHK	9-1 73
LTR	REVISION RECORD	DR	CHK	DATE
DR	DAN. 9.1.73	DE		
CHK	10-1-73	APP		

© 1973 BY AMP INCORPORATED. ALL RIGHTS RESERVED. AMP PRODUCTS COVERED BY PATENTS AND OR PATENTS PENDING.

MATERIAL AND FINISH

Vedi tabella

WIRE RANGE 4-6 mm² | INSULATION 38-51 Dia.

TOLERANCE EXCEPT AS NOTED $\pm 0.4 \pm 10^0$

SCALE 4:1

NAME Faston Tab.

CUSTOMER COPY REFERENCE ONLY

AMP ITALIA
VIA CERVI 15
COLLEGNO (TORINO)

CLASS .250 Series

TYPE Auto-Mach.

LOC I | NO C-180353 | REV H2