

# LNP-1002G-10G-SFP

10-Port Industrial Gigabit PoE+ Unmanaged Ethernet Switch, with 8\*10/100/1000Tx (30W/Port) and 2\*10G SFP+ Slots



## Features

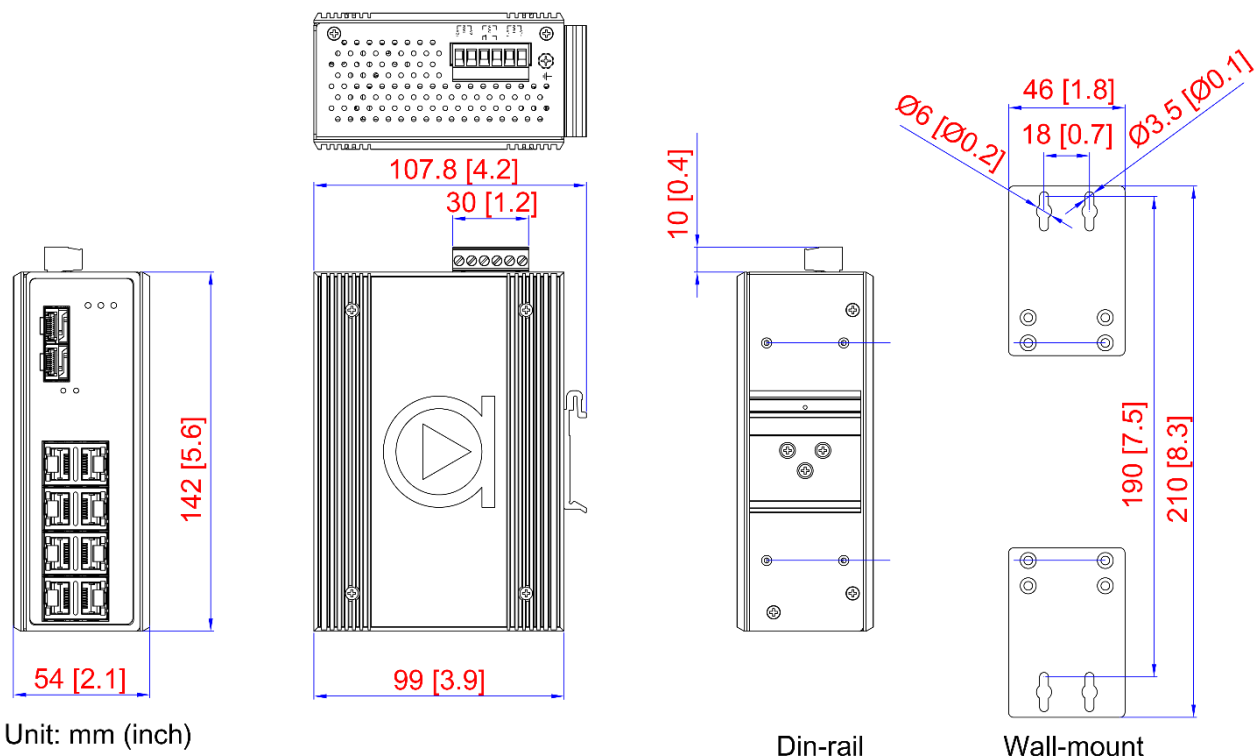
- ▶ Supports 8\*10/100/1000Tx IEEE 802.3af/at Compliant with 30W/Port and 2\*10G SFP+ Slots
- ▶ Store-and-Forward Switching Architecture
- ▶ 56Gbps Back-Plane (Switching Fabric)
- ▶ 16K MAC Address Table
- ▶ 9216 bytes Jumbo Frame Support
- ▶ Redundant Power Input Design: 48~55VDC
- ▶ Built-in 1 Relay Output for Power Failure Warning
- ▶ IP30 Rugged Metal Case Design
- ▶ DIN-Rail and Wall Mount Support Included
- ▶ Operating Temperature Range: -40°C~65°C
- ▶ 5-Year Warranty

## INTRODUCTION

Antaira Technologies' LNP-1002G-10G-SFP are industrial gigabit PoE+ unmanaged Ethernet switches featuring 8\*10/100/1000Tx Gigabit Ethernet ports that support IEEE802.3at for a maximum of 30W/port. The LNP-1002G-10G-SFP is designed with 2\*10G SFP+ slots that provide options for long-distance fiber connections. These Ethernet switches are designed with high EFT and ESD protection and support standard operating temperatures from -40° to 65°C.

The LNP-1002G-10G-SFP are IP30 rated and DIN-rail mountable. They also provide Ethernet connectivity with PoE functions for outdoor or harsh industrial automation application environments, such as security surveillance, ITS-traffic monitoring systems, oil/gas and mining, facility management for power/utility, water wastewater treatment plants, and lastly, automated production lines in factory automation.

## DIMENSIONS



## SPECIFICATIONS

<b>Technology</b>	
<b>Standards</b>	IEEE 802.3 10Tx Ethernet
	IEEE 802.3u 100Tx Fast Ethernet
	IEEE 802.3ab 1000Tx Gigabit Ethernet
	IEEE 802.3ae 10 Gigabit Ethernet
	IEEE 802.3af/at Power over Ethernet
<b>Processing Type</b>	Store and Forward
<b>Protocol</b>	CSMA/CD
<b>Flow Control</b>	IEEE 802.3x back pressure flow control
<b>Switch Properties</b>	
<b>Switch Architecture</b>	Back-Plane (Switching Fabric): 56.0Gbps 14,880pps for 10Base-T Ethernet 148,800pps for 100Base-T Fast Ethernet 1,488,000pps for 1000Base-T Gigabit Ethernet
<b>Transfer Rate</b>	14,880,000pps for 10 Gigabit Ethernet Port
<b>Packet Buffer</b>	8Mbits
<b>Jumbo Frame</b>	9216 bytes
<b>MAC Table Size</b>	16K
<b>Port Interface</b>	
<b>Ethernet Port</b>	8*10/100/1000Tx (PSE: 30W/Port) Auto negotiation speed, Full/Half duplex mode, and auto MDI/MDI-X connection
<b>SFP Port</b>	2*10G SFP+ slots
<b>PoE Pin Out</b>	V+, V+, V-, V-, for pin 1, 2, 3, 6 (End-span, Mode A)
<b>LED Indicators</b>	System: Power 1, Power 2, Fault
	Ethernet Ports: On-Link/Flash-data transmitting PoE: On-connected to PD devices SFP: Link/Active
<b>Network Cable</b>	10Base-T: 2-pair UTP/STP Cat. 3, 4, 5 cable EIA/TIA-568 100-ohm (100m) 100Base-TX: 2-pair UTP/STP Cat. 5 cable EIA/TIA-568 100-ohm (100m) 1000BaseTX: 4-pair UTP/STP Cat.5/5E cable EIA/TIA-568 100-ohm (100m)

<b>Mechanical Characteristics</b>	
<b>Housing</b>	Metal, IP30 protection
<b>Dimension</b>	54 x 142 x 99 mm
<b>Weight</b>	Unit: 2.39 lbs.; Shipping: 3.01 lbs.
<b>Mounting</b>	DIN-Rail mounting, Wall mounting
<b>Power Requirement</b>	
<b>Input Voltage</b>	48~55VDC Redundant Input
<b>Power Connection</b>	1 removable 6-contact terminal block
<b>Relay Contact</b>	24VDC, 1A resistive
<b>Overload Current Protection</b>	Present
<b>Power Reverse Polarity Protection</b>	Present
<b>System Power Consumption</b>	9.3W
<b>Max PoE Power Budget</b>	240W
<b>PoE Power Output</b>	30W max. per PoE port
<b>Environmental Limits</b>	
<b>Operating Temperature</b>	-40°C to 65°C
<b>Storage Temperature</b>	-40°C ~ 85°C
<b>Ambient Relative Humidity</b>	5 to 95%, (non-condensing)
<b>Regulatory Approvals</b>	
<b>EMI</b>	FCC Part 15 Subpart B Class A, CE EN55032/EN61000-6-4 Class A
<b>EMS</b>	CE EN55035/EN61000-6-2 Class A, IEC61000-4-2,3,4,5,6,8
<b>Free Fall</b>	IEC60068-2-32
<b>Shock</b>	IEC60068-2-27
<b>Vibration</b>	IEC60068-2-6
<b>Green</b>	RoHS Compliant
<b>Certifications</b>	FCC, CE, UL 61010-1, 61010-2-201
<b>Warranty</b>	5 Years

## ORDERING INFO

<b>LNP-1002G-10G-SFP</b>	10-Port Industrial Gigabit PoE+ Unmanaged Ethernet Switch, with 8*10/100/1000Tx (30W/Port) and 2*10G SFP+ Slots
--------------------------	---